

1st character of code

[0](#) [1](#) [2](#) [3](#) [4](#) [5](#) [6](#) [7](#) [8](#) [9](#)
[A](#) [B](#) [C](#) [D](#) [E](#) [F](#) [G](#) [H](#) [I](#)
[J](#) [K](#) [L](#) [M](#) [N](#) [O](#) [P](#) [Q](#)
[R](#)
[S](#) [T](#) [U](#) [V](#) [W](#) [X](#) [Y](#) [Z](#)

Bases

[A-F](#) [G-K](#) [L-P](#)
[Q-V](#) [W-Z](#)
[AQ-FQ](#) [GQ-LQ](#)
[MQ-SQ](#) [TQ-ZQ](#)
[ZA-ZF](#) [CS-CZ](#)
[DA-DF](#) [DG-DL](#)
[DM-DS](#) [DT-DZ](#)

Other Info

[Codebook](#)
[Introduction](#)
[Abbreviations](#)
[HP diode coding](#)
[SOD-80 \(Melf\) diodes](#)
[Plastic Melf/mini-Melf](#)
[Coloured SOD-123/323 diodes](#)
[SMD Electrolytics](#)
[SMD Ceramic Capacitors](#)
[SMD Resistors](#)
[Package Equivalents](#)
[Date coding](#)

Package dimensions

[SOT-23, SOT346](#)
[SOT-323, SOT-416](#)
[SOT-223, SOT-89](#)
[SOT-143, SOT-363](#)
[Diodes](#)

The SMD Codebook

© R P Blackwell, GM4PMK

To look up a coded device, click on the first character of the device code in the table on the left.

[back
to](#)

[Wormhole back to
Marsport](#)

GM4PMK's SMD Codebook

Codes beginning with '0'

be sure to check the 'O' (letter O) table as well

| Code | Device | Manf | Base | Package | Leaded Equivalent/Data |
|------|-----------|------|------|---------|---------------------------------|
| 0 | 2SC3603 | Nec | CX | SOT173 | Npn RF fT 7GHz |
| 005 | SSTPAD5 | Sil | J | | PAD-5 5pA leakage diode |
| p01 | PDTA143ET | Phi | N | SOT23 | pnv dtr 4k7+4k7 |
| t01 | PDTA143ET | Phi | N | SOT23 | pnv dtr 4k7+4k7 |
| 01 | Gali-1 | MC | AZ | SOT89 | DC-8GHz MMIC amp 12dB gain |
| 010 | SSTPAD10 | Sil | J | | PAD-10 10pA leakage diode |
| 011 | SO2369R | SGS | R | SOT23R | 2N2369 |
| 02 | BST82 | Phi | M | | n-ch mosfet 80V 175mA |
| 02 | MRF5711L | Mot | X | SOT143 | npn RF MRF571 |
| 02 | GDZ2.0B | Vis | I | SOD323 | zener 200mW 2.0V |
| 02 | DTCC114T | Roh | N | | 50V 100mA npn sw + 10k base res |
| 02 | Gali-2 | MC | AZ | SOT89 | DC-8GHz MMIC amp 16dB gain |
| p02 | PDTC143ET | Phi | N | SOT23 | npn 4k7+4k7 bias res |
| t02 | PDTC143ET | Phi | N | SOT23 | npn 4k7+4k7 bias res |
| 03 | Gali-3 | MC | AZ | SOT89 | DC-3GHz MMIC amp 22dB gain |
| 03 | DTC143TE | Roh | N | EMT3 | npn dtr R1 4k7 50V 100mA |
| 03 | DTC143TUA | Roh | N | SC70 | npn dtr R1 4k7 50V 100mA |
| 03 | DTC143TKA | Roh | N | SC59 | npn dtr R1 4k7 50V 100mA |
| 04 | DTC114TCA | Roh | N | SOT23 | npn dtr R1 10k 50V 100mA |
| 04 | DTC114TE | Roh | N | EMT3 | npn dtr R1 10k 50V 100mA |
| 04 | DTC114TUA | Roh | N | SC70 | npn dtr R1 10k 50V 100mA |
| 04 | DTC114TKA | Roh | N | SC59 | npn dtr R1 10k 50V 100mA |
| 04 | MRF5211L | Mot | X | SOT143 | pnv RF MRF521 |
| 04 | Gali-4 | MC | AZ | SOT89 | DC-4GHz MMIC amp 17.5 dBm |
| -04 | PMSS3904 | Phi | N | SOT323 | 2N3904 |
| t04 | PMBS3904 | Phi | N | SOT23 | 2N3904 |

| | | | | | |
|-----|------------|-----|----|---------|------------------------------|
| 05 | Gali-4 | MC | AZ | SOT89 | DC-4GHz MMIC amp 18 dBm o/p |
| 05 | DTC124TE | Roh | N | EMT3 | npn dtr R1 22k 50V 100mA |
| 05 | DTC124TUA | Roh | N | SC70 | npn dtr R1 22k 50V 100mA |
| 05 | DTC124TKA | Roh | N | SC59 | npn dtr R1 22k 50V 100mA |
| 05 | EDZ10B | Roh | I | EMD2 | 150mW zener 10V |
| 05 | VDZ10B | Roh | I | VMD2 | 150mW zener 10V |
| 05F | TSDF1205R | Vis | WQ | SOT143R | fT12GHz npn 4V 12mA |
| 06 | Gali-6 | MC | AZ | SOT89 | DC-4GHz MMIC amp 115 dBm o/p |
| 06 | DTC144TE | Roh | N | EMT3 | npn dtr R1 47k 50V 100mA |
| 06 | DTC144TUA | Roh | N | SC70 | npn dtr R1 47k 50V 100mA |
| 06 | DTC144TKA | Roh | N | SC59 | npn dtr R1 47k 50V 100mA |
| -06 | PMSS3906 | Phi | N | SOT323 | 2N3906 |
| t06 | PMBS3906 | Phi | N | SOT23 | 2N3906 |
| p08 | PMBFJ108 | Phi | F | SOT23 | n-ch jfet J108 |
| p09 | PMBFJ109 | Phi | F | SOT23 | n-ch jfet J109 |
| 020 | SSTPAD20 | Sil | J | | PAD-20 20pA leakage diode |
| 050 | SSTPAD50 | Sil | J | | PAD-50 50pA leakage diode |
| 081 | SO2369AR | SGS | R | SOT23R | 2N2369A |
| 09 | DTC115TUA | Roh | N | SC70 | npn dtr R2 100k 50V 100mA |
| 09 | DTC115TKA | Roh | N | SC59 | npn dtr R2 100k 50V 100mA |
| 0A | MUN5111DW1 | Mot | DO | SOT363 | dual pnp dtr 10k+10k |
| 0A | DTC125TUA | Roh | N | SC70 | npn dtr R2 100k 50V 100mA |
| 0A | DTC125TKA | Roh | N | SC59 | npn dtr R2 100k 50V 100mA |
| 0B | MUN5112DW1 | Mot | DO | SOT363 | dual pnp dtr 22k+22k |
| 0C | MUN5113DW1 | Mot | DO | SOT363 | dual pnp dtr 47k+47k |
| 0D | MUN5114DW1 | Mot | DO | SOT363 | dual pnp dtr 10k+47k |
| 0E | MUN5115DW1 | Mot | DO | SOT363 | dual pnp dtr R1 10k |
| 0F | MUN5116DW1 | Mot | DO | SOT363 | dual pnp dtr R1 4k7 |
| 0G | MUN5130DW1 | Mot | DO | SOT363 | dual pnp dtr 1k0+1k0 |
| 0H | MUN5131DW1 | Mot | DO | SOT363 | dual pnp dtr 2k2+2k2 |
| 0J | MUN5132DW1 | Mot | DO | SOT363 | dual pnp dtr 4k7+4k7 |
| 0K | MUN5133DW1 | Mot | DO | SOT363 | dual pnp dtr 4k7+47k |
| 0L | MUN5134DW1 | Mot | DO | SOT363 | dual pnp dtr 22k+47k |
| 0M | MUN5135DW1 | Mot | DO | SOT363 | dual pnp dtr 2k2+47k |

*Last modified 01/06/2006
by GM4PMK*

GM4PMK's SMD Codebook

Codes beginning with '1'

be sure to check the 'l' (letter i) table as well

| Code | Device | Manf | Base | Package | Leaded Equivalent/Data |
|------------|------------|------|------|---------|--------------------------------|
| 1 | 2SC3587 | Nec | CX | | npn RF fT10GHz |
| 1 | BA277 | Phi | I | SOD523 | VHF Tuner band switch diode |
| 1 (red) | BB669 | Sie | I | SOD323 | 56-2.7 pF varicap |
| 10 | MRF9411L | Mot | X | SOT143 | npn Rf 8GHz MRF941 |
| 10 | 1PS59SB10 | Phi | C | SOT346 | 30V 0.2A schottky diode |
| 10A | PZM10NB2A | Phi | A | SOT346 | dual ca 10V 0.3W zener |
| 10V | PZM10NB | Phi | C | SOT346 | 10V 0.3W zener |
| 10Y | BZV49-C10 | Phi | O | SOT89 | 10V 1W zener |
| p10 | PMBFJ110 | Phi | F | SOT23 | n-ch jfet J110 |
| 11 | MRF9511L | Mot | X | SOT143 | npn RF 8GHz MRF951 |
| 11 | MUN5311DW1 | Mot | DP | SOT363 | npn/pnp dtr 10k+10k |
| 11 | PDTA114EU | Phi | N | SOT416 | pnnp dtr |
| p11 | PDTA114TT | Phi | N | SOT23 | pnnp dtr |
| p11 | PMBFJ111 | Phi | F | SOT23 | n-ch jfet J111 |
| t11 | PDTA114TT | Phi | N | SOT23 | pnnp dtr |
| 11A | PZM11NB2A | Phi | A | SOT346 | dual ca 11V 0.3W zener |
| 11A | MMBD1501A | Nat | C | SOT23 | Si diode 200V 100mA |
| 11V | PZM11NB | Phi | C | SOT346 | 11V 0.3W zener |
| 11Y | BZV49-C11 | Phi | O | SOT89 | 11V 1W zener |
| 12 | MUN5312DW1 | Mot | DP | SOT363 | nnp/pnp dtr 22k+22k |
| 12 | DTA123EUA | Rho | N | SC70 | pnnp dtr 2k2+2k2 50V 100ma |
| 12 | DTA123EKA | Rho | N | SC59 | pnnp dtr 2k2+2k2 res 50V 100ma |
| 12 | GDZ2.2B | Vis | I | SOD323 | zener 200mW 2.2V |
| p12 | PDTC114TT | Phi | N | SOT23 | nnp dtr |
| p12 | PMBFJ112 | Phi | F | SOT23 | n-ch jfet J112 |
| t12 | PDTC114TT | Phi | N | SOT23 | nnp dtr |
| 12A | MMBD1502A | Nat | K | SOT23 | Si diode 200V 100mA |

| | | | | | |
|-----|-------------|-----|----|---------|-------------------------------------|
| 12A | PZM12NB2A | Phi | A | SOT346 | dual ca 12V 0.3W zener |
| 12E | ZC2812E | Zet | D | SOT23 | dual series RF schottky15V 20mA |
| 12V | PZM12NB | Phi | C | SOT346 | 12V 0.3W zener |
| 12Y | BZV49-C12 | Phi | O | SOT89 | 12V 1W zener |
| 13 | DTA143EUA | Rho | N | SC70 | pnp dtr 4k7+4k7 50V 100ma |
| 13 | DTA143EKA | Rho | N | SC59 | pnp dtr 4k7+4k7 50V 100ma |
| 13 | DTA143ECA | Rho | N | SOT23 | pnp dtr 4k7+4k7 50V 100ma |
| 13t | BC846BPN | Phi | N | SOT363 | BC546B |
| 13s | BAS125 | Sie | C | SOT23 | Schottky sw 24V 100mA |
| 13s | BAS125W | Sie | C | SOT323 | Schottky sw 24V 100mA |
| 13 | MA4CS103A | M/A | C | SOT23 | Schottky RF 20V 100mA |
| 13 | MUN5313DW1 | Mot | DP | SOT363 | npn/pnp dtr 47k+47k |
| p13 | PMBFJ113 | Phi | F | SOT23 | n-ch jfet J113 |
| 13A | MMBD1503A | Nat | D | SOT23 | dual Si diode 200V 100mA |
| 13A | PZM13NB2A | Phi | A | SOT346 | dual ca 13V 0.3W zener |
| 13E | ZC2813E | Zet | A | SOT23 | dual ca RF schottky15V 20mA |
| 13R | S913TR | Vis | UQ | SOT143R | dg mosfet MOSIC 9V uhf tv tuners |
| 13V | PZM13NB | Phi | C | SOT346 | 13V 0.3W zener |
| 13Y | BZV49-C13 | Phi | O | SOT89 | 13V 1W zener |
| 14s | BAS125-04 | Sie | D | SOT23 | Dual series Schottky 25V 100mA |
| 14s | BAS125-04W | Sie | D | SOT323 | Dual series Schottky 25V 100mA |
| 14 | BAT114-099R | Sie | DQ | | Quad Schottky crossover ring |
| 14 | DTA114EUA | Roh | N | SC70 | pnp dtr 10k + 10k |
| 14 | DTA114EKA | Roh | N | SC59 | pnp dtr 10k + 10k |
| 14 | MUN5314DW1 | Mot | DP | SOT363 | npn/pnp dtr 10k R1 |
| 14 | DTA114ECA | Roh | N | SOT23 | pnp dtr 10k + 10k |
| 14 | 1PS59SB14 | Phi | D | SOT346 | dual series 30V 0.2A schottky diode |
| 14A | MMBD1504A | Nat | B | | dual cc Si diode 200V 100mA |
| 15s | BAS125-05 | Sie | B | SOT23 | dual cc Schottky 25V 100mA |
| 15s | BAS125-05W | Sie | B | SOT323 | dual cc Schottky 25V 100mA |
| 15 | DTA124EUA | Roh | N | SC70 | pnp dtr 30V 50mA 22k+22k |
| 15 | DTA124EKA | Roh | N | SC59 | pnp dtr 30V 50mA 22k+22k |
| 15 | DTA124ECA | Roh | N | SOT23 | pnp dtr 30V 50mA 22k+22k |
| 15 | MUN5315DW1 | Mot | DP | SOT363 | npn/pnp dtr 10k R1 |
| 15 | MMBT3960 | Mot | N | | 2N3960 |

| | | | | | |
|-----|------------|-----|----|--------|---------------------------------|
| 15 | 1PS59SB15 | Phi | B | SOT346 | dual cc 30V 0.2A schottky diode |
| 15 | EDZ11B | Roh | I | EMD2 | 150mW zener 11V |
| 15 | VDZ11B | Roh | I | VMD2 | 150mW zener 11V |
| 15A | MMBD1505A | Nat | A | | dual ca Si diode 200V 100mA |
| 15A | PZM15NB2A | Phi | A | SOT346 | dual ca 15V 0.3W zener |
| 15V | PZM15NB | Phi | C | SOT346 | 15V 0.3W zener |
| 15Y | BZV49-C15 | Phi | O | SOT89 | 15V 1W zener |
| p16 | PDTC114ET | Phi | N | SOT23 | npn dtr |
| t16 | PDTC114EU | Phi | N | SOT323 | npn dtr |
| 16s | BAS125-06 | Sie | A | SOT23 | dual ca Schottky 25V 100mA |
| 16s | BAS125-06W | Sie | A | SOT323 | dual ca Schottky 25V 100mA |
| 16 | MUN5316DW1 | Mot | DP | SOT363 | npn/pnp dtr 4k7 R1 |
| 16 | DTA144EUA | Roh | N | SC70 | pnp dtr 30V 50mA 47k+47k |
| 16 | DTA144EKA | Roh | N | SC59 | pnp dtr 30V 50mA 47k+47k |
| 16 | 1PS59SB16 | Phi | A | SOT346 | dual ca 30V 0.2A schottky diode |
| 16V | PZM16NB | Phi | C | SOT346 | 16V 0.3W zener |
| 16Y | BZV49-C16 | Phi | O | SOT89 | 16V 1W zener |
| 17s | BAS125-07 | Sie | S | SOT143 | dual Schottky 25V 100mA |
| 17s | BAS125-07W | Sie | S | SOT343 | dual Schottky 25V 100mA |
| p17 | PDTC124ET | Phi | N | SOT23 | npn dtr |
| t17 | PDTC124EU | Phi | N | SOT323 | npn dtr |
| 18 | BFP181T | Tfk | X | | npn Rf fT 7.8GHz 10V 20mA |
| 18 | PDTC143ZK | Phi | N | SOT346 | npn dtr 4k7+47k |
| p18 | PDTC143ZT | Phi | N | SOT23 | npn dtr 4k7+47k |
| t18 | PDTC143ZT | Phi | N | SOT23 | npn dtr 4k7+47k |
| 18E | MMBZ5225B | Vis | C | SOT23 | zener 300mW 3.0V |
| 18F | MMBZ5260B | Vis | C | SOT23 | zener 300mW 43V |
| 18V | PZM18NB | Phi | C | SOT346 | 18V 0.3W zener |
| 18Y | BZV49-C18 | Phi | O | SOT89 | 18V 1W zener |
| 19 | PDTA143ZK | Phi | N | SOT346 | pnp dtr 4k7+47k |
| 19 | DTA115EUA | Rho | N | SC70 | pnp dtr 100k+100k 50V 100ma |
| 19 | DTA115EKA | Rho | N | SC59 | pnp dtr 100k+100k 50V 100ma |
| p19 | PDTA143ZT | Phi | N | SOT23 | pnp dtr 4k7+47k |
| t19 | PDTA143ZT | Phi | N | SOT23 | pnp dtr 4k7+47k |
| 100 | SSTPAD100 | Sil | J | SOT23 | PAD-100 100pA leakage diode |

| | | | | | |
|-----|-----------|-----|---|--------|----------------------------|
| 101 | PZM10NB1 | Phi | C | SOT346 | 10V 0.3W zener |
| 102 | PZM10NB2 | Phi | C | SOT346 | 10V 0.3W zener |
| 103 | PZM10NB3 | Phi | C | SOT346 | 10V 0.3W zener |
| 111 | PZM11NB1 | Phi | C | SOT346 | 11V 0.3W zener |
| 111 | DTA113ZUA | Roh | N | SC70 | pnnp dtr 1k+10k 50V 100mA |
| 112 | PZM11NB2 | Phi | C | SOT346 | 11V 0.3W zener |
| 113 | PZM11NB3 | Phi | C | SOT346 | 11V 0.3W zener |
| 113 | DTA143ZUA | Roh | N | SC70 | pnnp dtr 4k7+47k 50V 100mA |
| 121 | PZM12NB1 | Phi | C | SOT346 | 12V 0.3W zener |
| 121 | DTC113ZUA | Roh | N | SC70 | npn dtr 1k+10k 50V 100mA |
| 122 | PZM12NB2 | Phi | C | SOT346 | 12V 0.3W zener |
| 123 | PZM12NB3 | Phi | C | SOT346 | 12V 0.3W zener |
| 123 | DTC143ZUA | Roh | N | SC70 | npn dtr 4k7+47k 50V 100mA |
| 131 | PZM13NB1 | Phi | C | SOT346 | 13V 0.3W zener |
| 132 | PZM13NB2 | Phi | C | SOT346 | 13V 0.3W zener |
| 132 | DTA123JUA | Roh | N | SC70 | pnnp dtr 2k2+47k 50V 100mA |
| 133 | PZM13NB3 | Phi | C | SOT346 | 13V 0.3W zener |
| 142 | DTA123JUA | Roh | N | SC70 | npn dtr 2k2+47k 50V 100mA |
| 151 | PZM15NB1 | Phi | C | SOT346 | 15V 0.3W zener |
| 152 | PZM15NB2 | Phi | C | SOT346 | 15V 0.3W zener |
| 153 | PZM15NB3 | Phi | C | SOT346 | 15V 0.3W zener |
| 156 | DTA144VUA | Roh | N | SC70 | pnnp dtr 47k+10k 50V 100mA |
| 161 | PZM16NB1 | Phi | C | SOT346 | 16V 0.3W zener |
| 162 | PZM16NB2 | Phi | C | SOT346 | 16V 0.3W zener |
| 163 | PZM16NB3 | Phi | C | SOT346 | 16V 0.3W zener |
| 166 | DTC144VUA | Roh | N | SC70 | npn dtr 47k+10k 50V 100mA |
| 179 | FMMT5179 | Zet | N | | 2N5179 |
| 181 | PZM18NB1 | Phi | C | SOT346 | 18V 0.3W zener |
| 182 | PZM18NB2 | Phi | C | SOT346 | 18V 0.3W zener |
| 183 | PZM18NB3 | Phi | C | SOT346 | 18V 0.3W zener |
| 1A | BC846A | Phi | N | SOT23 | BC546A |
| 1A | BC846AT | Phi | N | SOT416 | BC546A |
| 1Ap | BC846A | Phi | N | SOT23 | BC546A |
| 1At | BC846A | Phi | N | SOT23 | BC546A |
| 1At | BC846AW | Phi | N | SOT323 | BC546A |

| | | | | | |
|-----|-----------|-----|---|--------|-------------------------|
| 1A- | BC846AW | Phi | N | SOT323 | BC546A |
| 1A | FMMT3904 | Zet | N | SOT23 | 2N3904 |
| 1A | MMBT3904 | Mot | N | SOT23 | 2N3904 |
| 1A | IRLML2402 | IR | F | SOT23 | n-ch mosfet 20V 0.9A |
| p1A | PMMT3904 | Phi | N | SOT23 | 2N3904 |
| p1A | PXT3904 | Phi | N | SOT89 | 2N3904 |
| t1A | PMMT3904 | Phi | N | SOT23 | 2N3904 |
| t1A | PMST3904 | Phi | N | SOT323 | 2N3904 |
| -1A | PMST3904 | Phi | N | SOT323 | 2N3904 |
| 1AM | MMBT3904L | Mot | N | SOT23 | 2N3904 |
| 1B | BC846B | Phi | N | SOT23 | BC546B |
| 1B | BC846BT | Phi | N | SOT416 | BC546B |
| 1Bp | BC846B | Phi | N | SOT23 | BC546B |
| 1Bt | BC846B | Phi | N | SOT23 | BC546B |
| 1Bt | BC846BW | Phi | N | SOT323 | BC546B |
| 1B- | BC846BW | Phi | N | SOT323 | BC546B |
| 1B | FMMT2222 | Zet | N | SOT23 | 2N2222 |
| 1B | MMBT2222 | Mot | N | SOT23 | 2N2222 |
| 1B | IRLML2803 | IR | F | SOT23 | n-ch mosfet 30V 0.9A |
| p1B | PMBT2222 | Phi | N | SOT23 | 2N2222 |
| t1B | PMBT2222 | Phi | N | SOT23 | 2N2222 |
| t1B | PMST2222 | Phi | N | SOT233 | 2N2222 |
| -1B | PMST2222 | Phi | N | SOT323 | 2N2222 |
| 1Bs | BC817UPN | Sie | N | SC74 | |
| 1Cp | BAP50-05 | Phi | B | SOT23 | dual cc GP RF pin diode |
| 1C | FMMT-A20 | Zet | N | SOT23 | MPSA20 |
| 1C | MMBTA20L | Mot | N | SOT23 | MPS3904 |
| 1C | IRLML6302 | IR | F | SOT23 | p-ch mosfet 20V 0.6A |
| 1Cs | BC847S | Sie | | SOT363 | BC457 |
| 1Dp | BC846 | Phi | N | SOT23 | BC456 |
| 1Dt | BC846 | Phi | N | SOT23 | BC456 |
| 1Dt | BC846W | Phi | N | SOT323 | BC456 |
| 1D- | BC846W | Phi | N | SOT323 | BC456 |
| 1D | MMBTA42 | Mot | N | SOT23 | MPSA42 300V npn |
| 1D | IRLML5103 | IR | F | SOT23 | p-ch mosfet 30V 0.6A |

| | | | | | |
|-----|----------|-----|---|--------|--------------------------|
| p1D | PMBTA42 | Phi | N | SOT23 | MPSA42 300V npn |
| p1D | PXTA42 | Phi | N | SOT89 | MPSA42 300V npn |
| t1D | PMBTA42 | Phi | N | SOT23 | MPSA42 300V npn |
| t1D | PMSTA42 | Phi | N | SOT323 | MPSA42 300V npn |
| 1Ds | BC846U | Sie | N | SC74 | BC456 |
| 1Ds | BC846U | Sie | | SOT363 | BC456 |
| 1DN | 2SC4083 | Roh | N | | nnp 11V 3.2GHz TV tuners |
| 1DR | MSD1328R | Mot | N | SOT346 | nnp gp 25V 500mA |
| 1E | BC847A | Phi | N | SOT23 | BC547A |
| 1E | BC847AT | Phi | N | SOT416 | BC547A |
| 1E | BC847AT | Dio | N | SOT523 | BC547A |
| 1Ep | BC847A | Phi | N | SOT23 | BC547A |
| 1Et | BC847A | Phi | N | SOT23 | BC547A |
| 1Et | BC847A | Phi | N | SOT323 | BC547A |
| 1E- | BC847A | Phi | N | SOT323 | BC547A |
| 1ER | BC847AR | Phi | R | SOT23R | BC547A |
| 1E | FMMT-A43 | Zet | N | | MPSA43 |
| 1E | MMBTA43 | Mot | N | SOT23 | MPSA43 200V npn |
| t1E | PMBTA43 | Mot | N | SOT23 | MPSA43 200V npn |
| t1E | PMSTA43 | Mot | N | SOT323 | MPSA43 200V npn |
| 1Es | BC847A | Sie | N | SOT23 | BC457 |
| 1Es | BC847AW | Sie | N | SOT323 | BC457 |
| 1EN | 2SC4084 | Roh | N | | nnp 20V 2.0GHz TV tuners |
| 1F | BC847B | Phi | N | SOT23 | BC547B |
| 1F | BC847BT | Phi | N | SOT416 | BC547B |
| 1F | BC847BT | Dio | N | SOT523 | BC547B |
| 1Fs | BC847B | Sie | N | SOT23 | BC547B |
| 1Fs | BC847BT | Sie | N | SC75 | BC547B |
| 1Fs | BC847BW | Sie | N | SOT323 | BC547B |
| 1Fp | BC847B | Phi | N | SOT23 | BC547B |
| 1Ft | BC847B | Phi | N | SOT23 | BC547B |
| 1Ft | BC847BW | Phi | N | SOT323 | BC547B |
| 1F- | BC847BW | Phi | N | SOT323 | BC547B |
| 1FR | BC847BR | Phi | R | SOT23R | BC547B |
| 1F | MMBT5550 | Mot | N | SOT23 | 2N5550 140V npn |

| | | | | | |
|-----|----------|-----|----|--------|----------------------------|
| p1F | PMBT5550 | Phi | N | SOT23 | 2N5550 140V npn |
| t1F | PMBT5550 | Phi | N | SOT23 | 2N5550 140V npn |
| t1F | PMST5550 | Phi | N | SOT323 | 2N5550 140V npn |
| 1FZ | FMBT5550 | Zet | N | SOT23 | 2N5550 140V npn |
| 1G | BC847C | Phi | N | SOT23 | BC547C |
| 1G | BC847CT | Phi | N | SOT416 | BC547C |
| 1Gp | BC847C | Phi | N | SOT23 | BC547C |
| 1Gt | BC847CW | Phi | N | SOT323 | BC547C |
| 1G- | BC847CW | Phi | N | SOT323 | BC547C |
| 1Gs | BC847C | Sie | N | SOT23 | BC547C |
| 1Gs | BC847CW | Sie | N | SOT323 | BC547C |
| 1GR | BC847CR | Phi | R | SOT23R | BC547C |
| 1GT | SOA06 | SGS | N | SOT23 | MPSA06 |
| 1G | FMMT-A06 | Zet | N | SOT23 | MPSA06 |
| 1G | MMBTA06 | Mot | N | SOT23 | MPSA06 |
| p1G | PMMTA06 | Phi | N | SOT23 | MPSA06 |
| t1G | PMMTA06 | Phi | N | SOT23 | MPSA06 |
| t1G | PMMTA06 | Phi | N | SOT323 | MPSA06 |
| 1GM | MMBTA06 | Mot | N | SOT23 | MPSA06 |
| 1Hp | BC847 | Phi | N | SOT23 | BC547 |
| 1Ht | BC847 | Phi | N | SOT23 | BC547 |
| 1Ht | BC847W | Phi | N | SOT323 | BC547 |
| 1H- | BC847W | Phi | N | SOT323 | BC547 |
| 1H | FMMT-A05 | Zet | N | | MPSA05 |
| 1H | MMBTA05 | Mot | N | SOT23 | MPSA05 |
| t1H | MMBTA05 | Phi | N | SOT323 | MPSA05 |
| 1HT | SOA05 | SGS | N | SOT23 | MPSA05 |
| 1J | BC848A | Phi | N | SOT23 | BC548A |
| 1Js | BC848A | Sie | N | SOT23 | BC548A |
| 1Js | BC848AW | Sie | N | SOT323 | BC548A |
| 1J | FMMT2369 | Zet | N | SOT23 | 2N2369 |
| 1J | MMBT2369 | Mot | N | SOT23 | MPS2369 |
| 1Js | BCV61A | Sie | VQ | SOT143 | nnp current mirror hFe 180 |
| 1Jp | BCV61A | Phi | VQ | SOT143 | nnp current mirror hFe 180 |
| p1J | PMBT2369 | Phi | N | SOT23 | 2N2369 |

| | | | | | |
|-----|-----------|-----|----|---------|----------------------------|
| t1J | PMBT2369 | Phi | N | SOT23 | 2N2369 |
| t1J | PMBT2369 | Phi | N | SOT323 | 2N2369 |
| 1JA | MMBT2369A | Mot | N | SOT23 | MPS2369A |
| 1JR | BC848AR | Phi | R | SOT23R | BC548A |
| 1JZ | BC848A | Zet | N | SOT23 | BC548A |
| 1K | BC848B | ITT | N | SOT23 | BC548B |
| 1Kp | BC848B | Phi | N | SOT23 | BC548B |
| 1Ks | BC848B | Sie | N | SOT23 | BC548B |
| 1Ks | BC848BW | Sie | N | SOT323 | BC548B |
| 1K | MMBT6428 | Mot | N | SOT23 | MPSA18 50V |
| p1K | PMBT6428 | Phi | N | SOT23 | MPSA18 50V |
| t1K | PMBT6428 | Phi | N | SOT23 | MPSA18 50V |
| t1K | PMBT6428 | Phi | N | SOT323 | MPSA18 50V |
| 1K | FMMT4400 | Zet | N | SOT23 | 2N4400 |
| 1Ks | BCV61B | Sie | VQ | SOT143B | npn current mirror hFe 290 |
| 1Kp | BCV61B | Phi | VQ | SOT143B | npn current mirror hFe 290 |
| 1KR | BC848BR | Phi | R | SOT23R | BC548B |
| 1KM | MMBT6428L | Mot | N | SOT23 | MPSA18 50V |
| 1KZ | FMMT4400 | Zet | N | SOT23 | 2N4400 |
| 1L | BC848C | ITT | N | SOT23 | BC548C |
| 1Lp | BC848C | Phi | N | SOT23 | BC548C |
| 1Ls | BC848C | Sie | N | SOT23 | BC548C |
| 1Ls | BC848CW | Sie | N | SOT323 | BC548C |
| 1L | MMBT6429 | Mot | N | | MPSA18 45V |
| 1L | FMMT4401 | Zet | N | | 2N4401 |
| 1L | BCV61C | Sie | VQ | SOT143B | npn current mirror hFe 520 |
| 1Lp | BCV61C | Phi | VQ | SOT143B | npn current mirror hFe 520 |
| p1L | PMBT6429 | Phi | N | SOT23 | MPSA18 45V |
| t1L | PMBT6429 | Phi | N | SOT23 | MPSA18 45V |
| t1L | PMBT6429 | Phi | N | SOT323 | MPSA18 45V |
| 1LR | BC848CR | Phi | R | SOT23R | BC548C |
| 1Mp | BC848 | Phi | N | SOT23 | BC548 |
| 1M | MMBTA13 | Mot | N | SOT23 | MPSA13 darlington |
| 1M | BC848C | Dio | N | SOT523 | BC548 |
| 1Mp | BCV61 | Phi | VQ | SOT143B | npn current mirror |

| | | | | | |
|-----|------------|-----|----|--------|-----------------------------|
| 1M | FMMT-A13 | Zet | N | SOT23 | MPSA13 |
| p1M | PXTA13 | Phi | N | SOT89 | MPSA13 darlington |
| p1M | PMBTA13 | Phi | N | SOT23 | MPSA13 darlington |
| t1M | PMBTA13 | Phi | N | SOT23 | MPSA13 darlington |
| 1N | FMMT-A14 | Zet | N | SOT23 | MPSA14 |
| 1N | MMBTA14 | Mot | N | SOT23 | MPSA14 darlington |
| 1N5 | ZTX11N15DF | Zet | N | SOT23 | nnp 15V 3A low saturation V |
| p1N | PMBTA14 | Mot | N | SOT23 | MPSA14 darlington |
| p1N | PXTA14 | Mot | N | SOT89 | MPSA14 darlington |
| t1N | PMBTA14 | Mot | N | SOT23 | MPSA14 darlington |
| 1P | FMMT2222A | Zet | N | | 2N2222A |
| 1P | MMBT2222A | Mot | N | SOT23 | 2N2222A |
| 1P | BC847PN | Sie | DI | | pnp/npn separate pair gp AF |
| 1P | CMDZ18L | CSC | I | SOD323 | zener 250mW Iz 0.5mA 18V |
| p1P | PMBT2222A | Phi | N | SOT23 | 2N2222A |
| p1P | PXT2222A | Phi | N | SOT89 | 2N2222A |
| t1P | PMBT2222A | Phi | N | SOT23 | 2N2222A |
| t1P | PMST2222A | Phi | N | SOT323 | 2N2222A |
| 1Q | MMBT5088 | Mot | N | SOT23 | MPSA18 Vce 30V |
| p1Q | PMBT5088 | Phi | N | SOT23 | MPSA18 Vce 30V |
| t1Q | PMBT5088 | Phi | N | SOT23 | MPSA18 Vce 30V |
| t1Q | PMST5088 | Phi | N | SOT323 | MPSA18 Vce 30V |
| 1R | MMBT5089 | Mot | N | SOT23 | MPSA18 Vce 25V |
| t1R | PMST5089 | Phi | N | SOT323 | MPSA18 Vce 25V |
| 1S | MMBT2369A | Nat | N | SOT23 | 2N2369A 500MHz sw npn |
| 1S | MSC3130 | Mot | H | SOT346 | nnp RF ft 1.4GHz 10V |
| 1T | MMBT3960A | Mot | N | | 2N3960A |
| 1U | MMBT2484L | Mot | N | SOT23 | MPSA18 |
| 1V | MMBT6427 | Mot | H | SOT23 | 2N6426/7 darlington npn |
| 1Vp | BF820 | Phi | N | SOT23 | nnp 300V 50mA BF420 |
| 1Vt | BF820 | Phi | N | SOT23 | nnp 300V 50mA BF420 |
| 1Vt | BF820W | Phi | N | SOT323 | nnp 300V 50mA BF420 |
| 1V- | BF820W | Phi | N | SOT323 | nnp 300V 50mA BF420 |
| 1W | FMMT3903 | Zet | N | SOT23 | 2N3903 |
| 1Wp | BF821 | Phi | N | SOT23 | pnp 300V 50mA BF421 |

| | | | | | |
|------|----------|-----|---|--------|---------------------------|
| 1Wt | BF821 | Phi | N | SOT23 | pnp 300V 50mA BF421 |
| 1W t | BF822W | Phi | N | SOT323 | pnp 300V 50mA BF421 |
| 1W - | BF822W | Phi | N | SOT323 | pnp 300V 50mA BF421 |
| 1X | MMBT930L | Mot | N | SOT23 | MPS3904 |
| 1Xp | BF822 | Phi | N | SOT23 | npn 250V 50mA BF422 |
| 1Xt | BF822 | Phi | N | SOT23 | npn 250V 50mA BF422 |
| 1Y | MMBT3903 | Mot | N | SOT23 | 2N3903 |
| 1Yp | BF823 | Phi | N | SOT23 | pnp 250V 50mA BF423 |
| 1Yt | BF823 | Phi | N | SOT23 | pnp 250V 50mA BF423 |
| 1Z | BAS70-06 | Zet | A | SOT23 | dual RF CA schottky diode |
| 1Z | MMBT6517 | Mot | N | SOT23 | 2N6517 npn Vce 350V |

Last Updated on 01/06/2006

By GM4PMK

GM4PMK's SMD Codebook

Codes beginning with '2'

| Code | Device | Manf | Base | Package | Leaded Equivalent/Data |
|--------------|------------|------|------|---------|-----------------------------|
| 2 | BAT62-02W | Sie | I | SCD80 | BAT16 schottky diode |
| 2 | BB182 | Phi | I | SOD523 | varicap 2.5-23pF |
| 2 (blue) | BAR64-03W | Sie | I | SOD323 | pin diode |
| 2 | 2SC3604 | Nec | CX | | npn RF fT8GHz 12dB@2GHz |
| 2 (white) | BB439 | Sie | I | SOD323 | 29-5 pF varicap |
| 20 | MRF5811 | Mot | X | SOT143 | npn Rf fT 5GHz 0.2A |
| -20 | PDTC114WU | Phi | N | SOT323 | npn dtr |
| 20F | TSDF1220R | Vis | WQ | SOT143R | fT 12GHz npn 6V 20mA |
| 20V | PZM20NB | Phi | C | SOT346 | 20V 300mW zener |
| 20Y | BZV49-C20 | Phi | O | SOT89 | 20V 1W zener |
| 21 | Gali-21 | MC | AZ | SOT89 | DC-8GHz MMIC amp 14 dB gain |
| 21 | 1PS59SB21 | Phi | C | SOT346 | schottky diode 40V 0.2A |
| 22 | MMBT4209 | Nat | N | SOT23 | pnnp sw 850MHz 2N4209 |
| 22 | DTC123EUA | Rho | N | SC70 | nnp dtr 2k2+2k2 50V 100ma |
| 22 | DTC123EKA | Rho | N | SC59 | nnp dtr 2k2+2k2 50V 100ma |
| 22 | GDZ2.4B | Vis | I | SOD323 | zener 200mW 2.4V |
| 22V | PZM22NB | Phi | C | SOT346 | 22V 300mW zener |
| 22Y | BZV49-C22 | Phi | O | SOT89 | 22V 1W zener |
| 23 | MMBT3646 | Nat | N | SOT23 | nnp sw 350MHz 2N3646 |
| 23 | DTC143EUA | Roh | N | SC70 | pnnp dtr 50V 100mA 4k7+ 4k7 |
| 23 | DTC143EKA | Roh | N | SC59 | pnnp dtr 50V 100mA 4k7+ 4k7 |
| -23 | PDTA114TU | Phi | N | SOT323 | pnnp dtr R1 10k |
| t23 | PDTA114TU | Phi | N | SOT323 | pnnp dtr R1 10k |
| 24 | RR264M-400 | Roh | I | PMDU | hi-rel 400V 0.7A diode |
| 24 | MMBD2101 | Nat | C | SOT23 | Si diode 100V 200mA |
| 24 | DTC114ECA | Roh | N | SOT23 | nnp dtr 50V 100mA 10k + 10k |
| 24 | DTC114EUA | Roh | N | SC70 | nnp dtr 50V 100mA 10k + 10k |
| 24 | DTC114EKA | Roh | N | SC59 | nnp dtr 50V 100mA 10k + 10k |

| | | | | | |
|-----|-----------|-----|---|--------|-----------------------------|
| 24 | 2SC5006 | Nec | N | | npn RF fT 4.5GHz @3V 7mA |
| -24 | PDTC114TU | Phi | N | SOT323 | npn dtr R1 10k |
| t24 | PDTC114TU | Phi | N | SOT323 | npn dtr R1 10k |
| 24V | PZM24NB | Phi | C | SOT346 | 24V 300mW Zener |
| 24Y | BZV49-C24 | Phi | O | SOT89 | 24V 1W zener |
| 25 | MMBD2102 | Nat | K | SOT23 | Si diode 100V 200mA |
| 25 | DTC124ECA | Roh | N | SOT23 | npn dtr 50V 100mA 22k + 22k |
| 25 | DTC124EKA | Roh | N | SC59 | npn dtr 50V 100mA 22k + 22k |
| 25 | DTC124EUA | Roh | N | SC70 | npn dtr 50V 100mA 22k + 22k |
| 25 | EDZ12B | Roh | I | EMD2 | 150mW zener 12V |
| 25 | VDZ12B | Roh | I | VMD2 | 150mW zener 12V |
| 26 | MMBD2103 | Nat | D | SOT23 | dual MMBD1201 |
| 26 | DTC144EKA | Roh | N | SC59 | npn dtr 50V 30mA 47k + 47k |
| 26 | DTC144EUA | Roh | N | SC70 | npn dtr 50V 30mA 47k + 47k |
| 27 | MMBD2104 | Nat | B | SOT23 | dual cc MMBD1201 |
| 27V | PZM27NB | Phi | C | SOT346 | 27V 300mW Zener |
| 27Y | BZV49-C27 | Phi | O | SOT89 | 27V 1W zener |
| 28 | BFP280T | Tfk | W | | npn RF fT 7GHz 8V 10mA |
| 28 | MMBD2105 | Nat | A | SOT23 | dual ca MMBD1201 |
| -28 | PDTA114WU | Phi | N | SOT323 | pnP dtr |
| 29 | MMBD1401 | Nat | C | SOT23 | Si diode 200V 100mA |
| 29 | DTC115EE | Roh | N | EMT3 | npn dtr 100k +100k 50V 20mA |
| 29 | DTC115EUA | Roh | N | SC70 | npn dtr 100k +100k 50V 20mA |
| 29 | DTC115EKA | Roh | N | SC59 | npn dtr 100k +100k 50V 20mA |
| 200 | SSTPAD200 | Sil | J | | PAD-200 200pA leakage diode |
| 201 | PZM20NB1 | Phi | C | SOT346 | 20V 300mW Zener |
| 202 | PZM20NB2 | Phi | C | SOT346 | 20V 300mW Zener |
| 203 | PZM20NB3 | Phi | C | SOT346 | 20V 300mW Zener |
| 221 | PZM22NB1 | Phi | C | SOT346 | 22V 300mW Zener |
| 222 | PZM22NB2 | Phi | C | SOT346 | 22V 300mW Zener |
| 223 | PZM22NB3 | Phi | C | SOT346 | 22V 300mW Zener |
| 241 | PZM24NB | Phi | C | SOT346 | 24V 300mW Zener |
| 242 | PZM24NB | Phi | C | SOT346 | 24V 300mW Zener |
| 243 | PZM20NB | Phi | C | SOT346 | 24V 300mW Zener |
| 271 | PZM2.7NB1 | Phi | C | SOT346 | 2.7V 300mW Zener |

| | | | | | |
|-----|------------|-----|---|--------|---------------------|
| 272 | PZM2.7NB2 | Phi | C | SOT346 | 2.7V 300mW Zener |
| 2A | MMBT3906L | Mot | N | SOT23 | 2N3906 |
| 2A | MMBT3906W | Mot | N | SOT323 | 2N3906 |
| 2A | FMMT3906 | Zet | N | SOT23 | 2N3906 |
| t2A | PMBT3906 | Phi | N | SOT23 | 2N3906 |
| t2A | PMST3906 | Phi | N | SOT323 | 2N3906 |
| p2A | PMBT3906 | Phi | N | SOT23 | 2N3906 |
| p2A | PXT3906 | Phi | O | SOT89 | 2N3906 |
| 2A4 | PZM2.4NB2A | Phi | A | SOT346 | dual 2.4V cc Zener |
| 2A7 | PZM2.7NB2A | Phi | A | SOT346 | dual 2.7V cc Zener |
| 2B | BC849B | ITT | N | SOT23 | BC549B |
| 2Bs | BC849B | Sie | N | SOT23 | BC549B |
| 2Bs | BC849BW | Sie | N | SOT323 | BC549B |
| 2Bp | BC849B | Phi | N | SOT23 | BC549B |
| 2Bt | BC849BW | Phi | N | SOT323 | BC549B |
| 2B- | BC849BW | Phi | N | SOT323 | BC549B |
| 2B | FMMT2907 | Zet | N | SOT23 | 2N2907 |
| 2B | MMBT2907 | Mot | N | SOT23 | MPS2907 |
| p2B | PMBT2907 | Phi | N | SOT23 | 2N2907 |
| t2B | PMBT2907 | Phi | N | SOT23 | 2N2907 |
| 2BR | BC849BR | Phi | R | SOT23R | BC549B |
| 2BZ | FMMT2907 | Zet | N | SOT23 | 2N2907 |
| 2C | BC849C | ITT | N | SOT23 | BC549C |
| 2Cs | BC849C | Sie | N | SOT23 | BC549C |
| 2Cs | BC849CW | Sie | N | SOT323 | BC549C |
| 2Cp | BC849C | Phi | N | SOT23 | BC549C |
| 2Ct | BC849C | Phi | N | SOT23 | BC549C |
| 2Ct | BC849CW | Phi | N | SOT323 | BC549C |
| 2C- | BC849CW | Phi | N | SOT323 | BC549C |
| 2C | MMBTA70 | Mot | N | SOT23 | MPSA70 |
| 2CR | BC849CR | Phi | R | SOT23R | BC549C |
| 2CZ | FMMTA70 | Zet | N | SOT23 | MPSA70 |
| 2D | MMBTA92 | Mot | N | SOT23 | MPSA92 pnp Vce 300V |
| p2D | PMBTA92 | Phi | N | SOT23 | MPSA92 pnp Vce 300V |
| p2D | PXTA92 | Phi | O | SOT89 | MPSA92 pnp Vce 300V |

| | | | | | |
|-----|------------|-----|----|--------|----------------------|
| t2D | PMBTA92 | Phi | N | SOT23 | MPSA92 pnp Vce 300V |
| t2D | PMSTA92 | Phi | N | SOT323 | MPSA92 pnp Vce 300V |
| 2E | MMBTA93 | Mot | N | SOT23 | MPSA93 pnp Vce 200V |
| 2E | FMMT-A93 | Zet | N | SOT23 | MPSA93 |
| t2E | PMBTA93 | Phi | N | SOT23 | MPSA93 pnp Vce 200V |
| t2E | PMSTA93 | Phi | N | SOT323 | MPSA93 pnp Vce 200V |
| 2F | BC850B | ITT | N | SOT23 | BC550B |
| 2Fs | BC850B | Sie | N | SOT23 | BC550B |
| 2Fs | BC850BW | Sie | N | SOT323 | BC550B |
| 2Fp | BC850B | Phi | N | SOT23 | BC550B |
| 2Ft | BC850B | Phi | N | SOT23 | BC550B |
| 2Ft | BC850BW | Phi | N | SOT323 | BC550B |
| 2F- | BC850BW | Phi | N | SOT323 | BC550B |
| 2F | FMMT2907A | Zet | N | SOT23 | 2N2907A |
| 2F | MMBT2907A | Mot | N | SOT23 | MPS2907A |
| 2F | MMBT2907AW | Mot | N | SOT323 | MPS2907A |
| p2F | PMBT2907A | Phi | N | SOT23 | 2N2907A |
| p2F | PXT2907A | Phi | O | SOT89 | 2N2907A |
| t2F | PMBT2907A | Phi | N | SOT23 | 2N2907A |
| t2F | PMBT2907A | Phi | N | SOT323 | 2N2907A |
| 2FR | BC850BR | Phi | R | SOT23R | BC550B |
| 2G | BC850C | ITT | N | SOT23 | BC550C |
| 2Gs | BC850C | Sie | N | SOT23 | BC550C |
| 2Gp | BC850C | Phi | N | SOT23 | BC550C |
| 2Gt | BC850C | Phi | N | SOT323 | BC550C |
| 2Gt | BC850CW | Phi | N | SOT323 | BC550C |
| 2G- | BC850CW | Phi | N | SOT323 | BC550C |
| 2G | FMMT-A56 | Zet | N | SOT23 | MPSA56 |
| 2G | MMBTA56 | Mot | N | SOT23 | MPSA56 |
| 2G* | ATF52189 | Agi | ZF | SOT89 | 2GHz 4.5V 0.2A PHEMT |
| p2G | PMBTA56 | Phi | N | SOT23 | MPSA56 |
| t2G | PMBTA56 | Phi | N | SOT23 | MPSA56 |
| t2G | PMSTA56 | Phi | N | SOT323 | MPSA56 |
| 2GM | MMBTA56 | Mot | N | SOT23 | MPSA56 |
| 2GR | BC850CR | Phi | R | SOT23R | BC550C |

| | | | | | |
|-----|------------|-----|---|--------|--------------------------------|
| 2GT | SOA56 | SGS | N | SOT23 | MPSA56 |
| 2H | FMMT-A55 | Zet | N | SOT23 | MPSA55 |
| 2HT | SOA55 | SGS | N | SOT23 | MPSA55 |
| 2H | MMBTA55 | Mot | N | SOT23 | MPSA55 |
| t2H | PMBTA55 | Phi | N | SOT23 | MPSA55 |
| t2H | PMSTA55 | Phi | N | SOT323 | MPSA55 |
| 2J | MMBT3640 | Mot | N | SOT23 | MPS3640 pnp sw |
| 2K | FMMT4402 | Zet | N | SOT23 | 2N4402 |
| 2K | MMBT8598 | Mot | N | | 2N4125 pnp 60V |
| 2Kp | BAT754 | Phi | C | SOT23 | 30V 200mA schottky |
| 2Kt | BAT754 | Phi | C | SOT23 | 30V 200mA schottky |
| 2KW | BAT754 | Phi | C | SOT23 | 30V 200mA schottky |
| 2L | MMBT5401 | Mot | N | SOT23 | 2N5401 pnp 150V |
| 2L | FMMT4403 | Zet | N | SOT23 | 2N4403 |
| p2L | PMBT5401 | Phi | N | SOT23 | 2N5401 pnp 150V |
| t2L | PMBT5401 | Phi | N | SOT23 | 2N5401 pnp 150V |
| t2L | PMST5401 | Phi | N | SOT323 | 2N5401 pnp 150V |
| 2Lp | BAT754A | Phi | A | SOT23 | 30V 200mA dual schottky ca |
| 2Lt | BAT754A | Phi | A | SOT23 | 30V 200mA dual schottky ca |
| 2LW | BAT754A | Phi | A | SOT23 | 30V 200mA dual schottky ca |
| 2M | FMMT5087 | Zet | N | SOT23 | 2N5087 |
| 2M | MMBT404 | Mot | N | SOT23 | pnp-chopper 24V 150mA |
| 2Mp | BAT754C | Phi | B | SOT23 | 30V 200mA dual schottky cc |
| 2Mt | BAT754C | Phi | B | SOT23 | 30V 200mA dual schottky cc |
| 2MW | BAT754C | Phi | B | SOT23 | 30V 200mA dual schottky cc |
| 2N | MMBT404A | Mot | N | SOT23 | pnp-chopper 35V 150mA |
| 2Np | BAT754S | Phi | D | SOT23 | 30V 200mA dual schottky series |
| 2Nt | BAT754S | Phi | D | SOT23 | 30V 200mA dual schottky series |
| 2NW | BAT754S | Phi | D | SOT23 | 30V 200mA dual schottky series |
| 2N0 | ZXT11N20DF | Zet | N | SOT23 | npn 20V 2.5A low sat switch |
| 2P | FMMT2222R | Zet | R | SOT23R | 2N2222 |
| 2P | MMBT5086 | Mot | N | SOT23 | 2N5086 |
| 2P | CMDZ20L | CSC | I | SOD323 | zener 250mW Iz 0.5mA 20V |
| 2Q | MMBT5087 | Mot | N | SOT23 | 2N5087 |
| 2R | HSMS-8102 | HP | Z | SOT23 | 10-14GHz schottky mixer pair |

| | | | | | |
|-----|------------|-----|---|--------|----------------------------------|
| 2T | SO4403 | SGS | N | SOT23 | 2N4403 |
| 2T | MMBT4403 | Mot | N | SOT23 | 2N4403 |
| p2T | PMBT4403 | Phi | N | SOT23 | 2N4403 |
| p2T | PXT4403 | Phi | O | SOT89 | 2N4403 |
| t2T | PMBT4403 | Phi | N | SOT23 | 2N4403 |
| t2T | PMST4403 | Phi | N | SOT323 | 2N4403 |
| 2T | HT2 | Zet | N | SOT23 | pnp 80V 100mA |
| 2U | MMBTA63 | Mot | N | SOT23 | MPSA63 darlington |
| t2U | PMBTA63 | Phi | N | SOT23 | MPSA63 darlington |
| 2V | MMBTA64 | Mot | N | SOT23 | MPSA64 darlington |
| p2V | PXTA64 | Phi | O | SOT89 | MPSA64 darlington |
| t2V | PMBTA64 | Phi | H | SOT23 | MPSA64 darlington |
| 2V4 | PZM2.4NB | Phi | C | SOT346 | 2.4V 300mW Zener |
| 2V7 | PZM2.7NB | Phi | C | SOT346 | 2.7V 300mW Zener |
| 2W | FMMT3905 | Zet | N | SOT23 | 2N3905 |
| 2W | MMBT8599 | Mot | N | | 2N4125 Vce 80V pnp |
| 2X | SO4401 | SGS | N | SOT23 | 2N4401 |
| 2X | MMBT4401 | Mot | N | SOT23 | 2N4401 |
| p2X | PMBT4401 | Phi | N | SOT23 | 2N4401 |
| p2X | PxT4401 | Phi | O | SOT89 | 2N4401 |
| t2X | PMBT4401 | Phi | N | SOT23 | 2N4401 |
| t2X | PMST4401 | Phi | N | SOT323 | 2N4401 |
| 2Y4 | BZV49-C2V4 | Phi | O | SOT89 | 2.4V 1W zener |
| 2Y7 | BZV49-C2V7 | Phi | O | SOT89 | 2.7V 1W zener |
| 2Z | MMBT6520 | Mot | N | SOT23 | 2N6520 pnp Vce 350V |
| 2Z | BAS70-04 | Zet | D | SOT23 | dual series RF schottky 70V 15mA |
| 2Z5 | BAS70-05 | Zet | B | SOT23 | dual cc RF Schottky 70V 15mA |

Last Updated on 01/06/2006
By GM4PMK

GM4PMK's SMD Codebook

Codes beginning with '3'

| Code | Device | Manf | Base | Package | Leaded Equivalent/Data |
|--------------|------------|------|------|---------|-----------------------------------|
| 3 (white) | BAT60A | Sie | I | SOD323 | 10V 3A sw schottky |
| 3 | BAT62-02W | Sie | I | SCD80 | |
| 30 | MUN5330DW1 | Mot | DP | SOT363 | npn/pnp dtr 1k0+1k0 |
| 30V | PZM30NB1 | Phi | C | SOT346 | 30V 300mW zener |
| 30Y | BZV49-C30 | Phi | O | SOT89 | 30V 1W zener |
| 301 | FDV301N | Fch | M | SOT23 | n-ch 'digital' fet 25V 0.22A |
| 302 | FDV302P | Fch | M | SOT23 | p-ch 'digital' fet 25V 0.13A |
| 303 | FDV303N | Fch | M | SOT23 | n-ch 'digital' fet 25V 0.68A |
| 304 | FDV304P | Fch | M | SOT23 | p-ch 'digital' fet 25V 0.46A |
| 31 | MUN5331DW1 | Mot | DP | SOT363 | npn/pnp dtr 2k2+2k2 |
| 31 | MMBD1402 | Nat | K | SOT23 | Si diode 200V 100mA |
| p31 | PDTA143XT | Phi | N | SOT23 | pnp dtr 4k7+10k |
| t31 | PDTA143XT | Phi | N | SOT23 | pnp dtr4k7+10k |
| 32 | MUN5332DW1 | Mot | DP | SOT363 | npn/pnp dtr 4k7+4k7 |
| 32 | MMBD1403 | Nat | D | SOT23 | dual Si diode 200V 100mA |
| 32 | BAT32 | Sie | CS | | 18GHz zero-bias schottky |
| 32 | GDZ2.7B | Vis | I | SOD323 | zener 200mW 2.7V |
| p32 | PDTC143XT | Phi | N | SOT23 | pnp dtr 4k7+10k |
| t32 | PDTC143XT | Phi | N | SOT23 | pnp dtr 4k7+10ks |
| 33 | MUN5333DW1 | Mot | DP | SOT363 | npn/pnp dtr 4k7+47k |
| 33 | DTA143XE | Roh | N | EMT3 | pnp dtr 4k7+10k 50V 100mA |
| 33 | DTA143XUA | Roh | N | SC70 | pnp sw 4k7+10k bias res 50V 100mA |
| 33 | DTA143XKA | Roh | N | SC59 | pnp sw 4k7+10k bias res 50V 100mA |
| 33 | MMBD1404 | Nat | B | SOT23 | dual cc Si diode 200V 100mA |
| 33 | Gali-33 | MC | AZ | SOT89 | DC-4GHz MMIC amp 19dB gain |
| 33V | PZM33NB1 | Phi | C | SOT346 | 33 300mW zener |
| 33Y | BZV49-C33 | Phi | O | SOT89 | 33V 1W zener |
| 34 | MUN5334DW1 | Mot | DP | SOT363 | npn/pnp dtr 22k+47k |

| | | | | | |
|-----|------------|-----|----|--------|---------------------------------|
| 34 | MMBD1405 | Nat | A | SOT23 | dual ca Si diode 200V 100mA |
| 331 | NDS331N | Fch | M | SOT23 | n-ch mosfet 1.3A 20V |
| 331 | PZM3.3NB1 | Phi | C | SOT346 | 3.3V 300mW zener |
| 332 | PZM3.3NB2 | Phi | C | SOT346 | 3.3V 300mW zener |
| 332 | NDS332N | Fch | M | SOT23 | p-ch mosfet 0.4A, 1A pk, 20V |
| 335 | NDS335N | Fch | M | SOT23 | n-ch mosfet 70 mA, 1.7A pk, 20V |
| 336 | NDS336N | Fch | M | SOT23 | p-ch mosfet 0.27A, 1.2A pk, 20V |
| 337 | NDS337N | Fch | M | SOT23 | n-ch mosfet 50 mA, 2.5A pk 20V |
| 338 | NDS338N | Fch | M | SOT23 | p-ch mosfet 0.13A, 1.6Apk 20V |
| 34 | 2SC5007 | Nec | N | | npn RF fT 7GHz @3V 7mA |
| 340 | FDV340P | Fch | M | SOT23 | p-ch mosfet 20V 70 mA |
| 35 | MUN5335DW1 | Mot | DP | SOT363 | npn/pnp dtr 2k2+47k |
| 35 | RB050LA-40 | Roh | I | PMDT | schottky diode 3A 40V |
| 35 | DTA124XE | Roh | N | EMT3 | pnp dtr 22k+47k 50V 50mA |
| 35 | DTA124XUA | Roh | N | SC70 | pnp dtr 22k+47k 50V 50mA |
| 35 | DTA124XKA | Roh | N | SC59 | pnp dtr 22k+47k 50V 50mA |
| 35 | EDZ13B | Roh | I | EMD2 | 150mW zener 13V |
| 35 | VDZ13B | Roh | I | VMD2 | 150mW zener 13V |
| 351 | NDS351N | Fch | M | SOT23 | n-ch mosfet 1.1A 30V |
| 352 | NDS352N | Fch | M | SOT23 | p-ch mosfet 0.5A 20V |
| 355 | NDS355N | Fch | M | SOT23 | n-ch mosfet 0.1A, 1.6A pk 30V |
| 356 | NDS356N | Fch | M | SOT23 | p-ch mosfet 0.3A, 1.1A pk 20V |
| 357 | NDS357N | Fch | M | SOT23 | n-ch mosfet 2.5Apk 30V |
| 358 | NDS358N | Fch | M | SOT23 | p-ch mosfet 0.2A, 1.6A pk 30V |
| 358 | FDN358N | Fch | M | SOT23 | p-ch mosfet 0.2A 1.6A pk 30V |
| 360 | FDN360P | Fch | M | SOT23 | p-ch mosfet 80mA, 2a PK, 30V |
| 361 | PZM3.6NB1 | Phi | C | SOT346 | 3.6V 300mW Zener |
| 362 | PZM3.3NB2 | Phi | C | SOT346 | 3.6V 300mW Zener |
| 36V | PZM36NB1 | Phi | C | SOT346 | 36V 300mW Zener |
| 36Y | BZV49-C36 | Phi | O | SOT89 | 36V 1W zener |
| 391 | PZM3.9NB1 | Phi | C | SOT346 | 3.9V 300mW Zener |
| 392 | PZM3.9NB2 | Phi | C | SOT346 | 3.9V 300mW Zener |
| 39V | PZM39NB1 | Phi | C | SOT346 | 39V 300mW Zener |
| 39Y | BZV49-C39 | Phi | O | SOT89 | 39V 1W zener |
| 3A | BC856A | ITT | N | SOT23 | BC556A |

| | | | | | |
|-----|------------|-----|----|--------|--------------------------|
| 3A | BC856AT | Phi | N | SOT416 | BC556A |
| 3Ap | BC856A | Phi | N | SOT23 | BC556A |
| 3At | BC856A | Phi | N | SOT23 | BC556A |
| 3As | BC856A | Sie | N | SOT23 | BC556A |
| 3At | BC856AW | Phi | N | SOT323 | BC556A |
| 3A- | BC856AW | Phi | N | SOT323 | BC556A |
| 3A | MMBTH24 | Mot | N | SOT23 | VHF mixer npn fT 600MHz |
| 3A0 | PZM3.0NB2A | Phi | C | SOT346 | dual 3.0V Zener |
| 3A3 | PZM3.3NB2A | Phi | C | SOT346 | dual 3.3V Zener |
| 3A6 | PZM3.6NB2A | Phi | C | SOT346 | dual 3.6V Zener |
| 3A9 | PZM3.9NB2A | Phi | C | SOT346 | dual 3.9V Zener |
| 3AR | BC856AR | Phi | R | SOT23R | BC556A |
| 3B | BC856B | ITT | N | SOT23 | BC556B |
| 3B | BC856BT | Phi | N | SOT416 | BC556B |
| 3Bp | BC856B | Phi | N | SOT23 | BC556B |
| 3Bs | BC856B | Sie | N | SOT23 | BC556B |
| 3Bt | BC856B | Phi | N | SOT23 | BC556B |
| 3Bt | BC856BW | Phi | N | SOT323 | BC556B |
| 3B- | BC856BW | Phi | N | SOT323 | BC556B |
| 3B | FMMT918 | Zet | N | SOT23 | 2N918 |
| 3B | MMBT918 | Mot | N | SOT23 | 2N918 |
| 3BR | BC856BR | Phi | R | SOT23 | BC556B |
| 3C | FMMTA20R | Zet | R | SOT23R | MPSA20 |
| 3C | BC857 | Sie | DO | | pnnp separate pair gp AF |
| 3D | BC856 | Phi | N | SOT23 | BC556 hfe 75 min |
| 3Dp | BC856 | Phi | N | SOT23 | BC556 hfe 75 min |
| 3Dt | BC856 | Phi | N | SOT23 | BC556 hfe 75 min |
| 3Dt | BC856W | Phi | N | SOT323 | BC556 hfe 75 min |
| 3D- | BC856W | Phi | N | SOT323 | BC556 hfe 75 min |
| 3D | MMBTH81L | Mot | N | SOT23 | UHF pnp fT 600MHz |
| 3D | BC856S | Sie | DO | | pnnp separate pair gp AF |
| 3E | BC857A | Phi | N | SOT23 | BC557A |
| 3E | BC857AT | Phi | N | SOT416 | BC557A |
| 3Ep | BC857A | Phi | N | SOT23 | BC557A |
| 3Et | BC857A | Phi | N | SOT23 | BC557A |

| | | | | | |
|-----|-----------|-----|----|--------|------------------------|
| 3Et | BC857A | Phi | N | SOT323 | BC557A |
| 3E- | BC857A | Phi | N | SOT323 | BC557A |
| 3E | MMBTH10 | Mot | N | SOT23 | MPSH10 fT 650MHz |
| 3E | FMMT-A42 | Zet | N | SOT23 | MPSA42 |
| 3EM | MMBTH10L | Mot | N | SOT23 | VHF amp 650MHz fT |
| 3ER | BC857AR | Phi | R | SOT23R | BC557A |
| 3EZ | FMMTH10 | Zet | N | SOT23 | nnp fT 650MHz |
| 3F | BC857B | Phi | N | SOT23 | BC557B |
| 3F | BC857BT | Phi | N | SOT416 | BC557B |
| 3Fp | BC857B | Phi | N | SOT23 | BC557B |
| 3Fs | BC857B | Sie | N | SOT23 | BC557B |
| 3Ft | BC857B | Phi | N | SOT23 | BC557B |
| 3Ft | BC857BW | Phi | N | SOT323 | BC557B |
| 3Ft | BC857BS | Phi | N | SOT363 | BC557B |
| 3F- | BC857BW | Phi | N | SOT323 | BC557B |
| 3FR | BC857BR | Phi | R | SOT23R | BC557B |
| 3G | BC857C | Phi | N | SOT23 | BC557C |
| 3Gp | BC857C | Phi | N | SOT23 | BC557C |
| 3G | BC857C | Phi | N | SOT23 | BC557C |
| 3Gs | BC857C | Sie | N | SOT23 | BC557C |
| 3Gt | BC857C | Phi | N | SOT23 | BC557C |
| 3Gt | BC857CW | Phi | N | SOT323 | BC557C |
| 3G- | BC857CW | Phi | N | SOT323 | BC557C |
| 3G | MMBTH11 | NS | N | SOT23 | |
| 3G | BC857CT | Dio | N | SOT523 | BC557C |
| 3G | MGSF3454X | Mot | DK | TSOP6 | n-ch enh tmosfet 1.75A |
| 3GR | BC857CR | Phi | R | SOT23R | BC557CR |
| 3Hp | BC857C | Phi | N | SOT23 | BC557 |
| 3Ht | BC857C | Phi | N | SOT23 | BC557 |
| 3Ht | BC857CW | Phi | N | SOT323 | BC557 |
| 3H | MMBTH30 | NS | N | SOT23 | |
| 3H- | BC857CW | Phi | N | SOT323 | BC557 |
| 3J | MMBTH69 | Mot | N | SOT23 | npn UHF fT 2GHz |
| 3J | BC858A | Phi | N | SOT23 | BC558A |
| 3Js | BC858A | Sie | N | SOT23 | BC558A |

| | | | | | |
|-----|------------|-----|----|--------|-----------------------------|
| 3JR | BC858AR | Phi | R | SOT23R | BC558A |
| 3Js | BCV62A | Sie | VQ | SOT143 | pnnp current mirror hFe 180 |
| 3Jp | BCV62A | Phi | VQ | SOT143 | pnnp current mirror hFe 180 |
| 3K | BC858B | Phi | N | SOT23 | BC558B |
| 3Ks | BCV62B | Sie | VQ | SOT143 | npn current mirror hFe 290 |
| 3Kp | BCV62B | Phi | VQ | SOT143 | npn current mirror hFe 290 |
| 3KR | BC858BR | Phi | R | SOT23R | BC558B |
| 3L | BC858C | Phi | N | SOT23 | BC558C |
| 3LR | BC858CR | Phi | R | SOT23R | BC558C |
| 3Ls | BCV62C | Sie | VQ | SOT143 | pnnp current mirror hFe 520 |
| 3Lp | BCV62C | Phi | VQ | SOT143 | pnnp current mirror hFe 520 |
| 3M | BC858 | Phi | N | SOT23 | BC558 |
| 3M | FMMT5087R | Zet | R | SOT23R | 2N5087 BC322 |
| 3Ms | BCV62 | Sie | VQ | SOT143 | pnnp current mirror |
| 3Mp | BCV62 | Phi | VQ | SOT143 | pnnp current mirror |
| 3N | MMBT4402 | Nat | N | SOT23 | 2N4402 pnp |
| 3P | FMT2222AR | Zet | R | SOT23R | 2N2222A |
| 3P | CMDZ22L | CSC | I | SOD323 | zener 250mW Iz 0.5mA 22V |
| 3R | MMBT5571 | Nat | N | SOT23 | pnnp sw 850MHz |
| 3S | MMBT5551 | Nat | N | SOT23 | npn 160V |
| 3T | HT3 | Zet | N | SOT23 | npn 80V 100mA |
| 3V | BC857AT | Dio | N | SOT523 | BC557A |
| 3V0 | PZM3.0NB | Phi | C | SOT346 | 3.0V 300mW Zener |
| 3V3 | PZM3.3NB | Phi | C | SOT346 | 3.3V 300mW Zener |
| 3V6 | PZM3.6NB | Phi | C | SOT346 | 3.6V 300mW Zener |
| 3V9 | PZM3.9NB | Phi | C | SOT346 | 3.9V 300mW Zener |
| 3W | FMMT-A12 | Zet | N | | MPSA12 |
| 3W | BC857BT | Dio | N | SOT523 | BC557B |
| 3Y3 | BZV49-C3V3 | Phi | O | SOT89 | 3.3V 1W zener |
| 3Y6 | BZV49-C3V6 | Phi | O | SOT89 | 3.6V 1W zener |
| 3Y9 | BZV49-C3V9 | Phi | O | SOT89 | 3.9V 1W zener |

Last Updated on 01/06/2006

By GM4PMK

GM4PMK's SMD Codebook

Codes beginning with '4'

| Code | Device | Manf | Base | Package | Leaded Equivalent/Data |
|---------------|------------|------|------|---------|-------------------------------------|
| 4 (white) | BAS140W | Sie | I | SOD323 | 40V 120mA sw schottky |
| 4 (yellow) | BB644 | Sie | I | SOD323 | Varicap 42-2.5pF |
| 4(red) | BB57-03W | Sie | I | SOD323 | Varicap |
| 4 | BB664 | Sie | I | SCD80 | Varicap 42-2.5pF |
| 4 | BB679-02V | Inf | I | SC79 | varicap wide range 47pF 28V |
| 40 | ZLLS400 | Zet | C | SOT23 | schottky 40V 1A |
| 41 | BAT14-115S | Sie | CS | SOT173 | 40GHz schottky diode |
| 41 | BAT14-115R | Sie | CZ | SOT173 | 40GHz schottky ring quad |
| 41A | FMMT491A | Zet | N | SOT23 | npn 40v 1A max |
| 41D | BAT14-115D | Sie | CY | SOT173 | 40GHz schottky dual |
| 42 | BAT14-025S | Sie | CS | SOT173 | 4GHz schottky diode |
| 42 | BAT14-025R | Sie | CZ | SOT173 | 4GHz schottky ring quad |
| 42 | GDZ3.0B | Vis | I | SOD323 | zener 200mW 3.0V |
| 42 | BAT54AW | Phi | A | SOT323 | dual ca BAT85 schottky 30V 0.2A |
| 42D | BAT14-025D | Sie | CY | SOT173 | 4GHz schottky dual |
| 43 | BAS40 | Sie | C | SOT23 | schottky diode 40V 100mA |
| 43 | DTA143EE | Mot | N | SOT416 | pnp dtr 4k7 + 4k7 |
| 43 | DTC143XE | Roh | N | EMT3 | npn dtr 4k7+10k 50V 100mA |
| 43 | DTC143XUA | Roh | N | SC70 | npn dtr 4k7+10k 50V 100mA |
| 43 | DTC143XKA | Roh | N | SC59 | npn dtr 4k7+10k 50V 100mA |
| 43 | BAT54CW | Phi | B | SOT323 | dual cc BAT85 schottky 30V 0.2A |
| 43V | PZM43NB | Phi | C | SOT346 | 43V 0.3W zener |
| 43Y | BZV49-C43 | Phi | O | SOT89 | 43V 1W zener |
| 44 | BAS40-04 | Sie | D | SOT23 | dual series BAS40 |
| 44 | BAS40-04W | Sie | D | SOT323 | dual series BAS40 |
| 44 | 2SC5009 | Nec | N | | npn RF fT 12GHz @3V 5mA |
| 44 | BAT54SW | Phi | D | SOT323 | dual seires BAT85 schottky 30V 0.2A |

| | | | | | |
|-----|------------|-----|----|---------|---|
| 45 | BAS40-05 | Sie | A | SOT23 | dual ca BAS40 |
| 45 | BAS40-05W | Sie | A | SOT323 | dual ca BAS40 |
| 45 | BAT14-055S | Sie | CS | SOT173 | 8GHz schottky diode |
| 45 | BAT14-055R | Sie | CZ | SOT173 | 8GHz schottky ring quad |
| 45 | DTC124XE | Roh | N | EMT3 | npn dtr 22k+47k 50V 50mA |
| 45 | DTC124XUA | Roh | N | SC70 | npn dtr 22k+47k 50V 50mA |
| 45 | DTC124XKA | Roh | N | SC59 | npn dtr 22k+47k 50V 50mA |
| 45 | EDZ15B | Roh | I | EMD2 | 150mW zener 15V |
| 45 | VDZ15B | Roh | I | VMD2 | 150mW zener 15V |
| 45D | BAT14-055D | Sie | CY | SOT173 | 8GHz schottky dual |
| 46 | BAS40-06 | Sie | B | SOT23 | dual cc BAS40 |
| 46 | BAS40-06W | Sie | B | SOT323 | dual cc BAS40 |
| 46 | MBT3946DW | Mot | DP | | 2N3904/2N3906 pair |
| 47 | BAS40-07 | Sie | S | SOT143 | dual BAS40 |
| 47 | BAS40-07W | Sie | S | SOT343 | dual BAS40 |
| 47V | PZM47NB | Phi | C | SOT346 | 47V 0.3W zener |
| 47Y | BZV49-C47 | Phi | O | SOT89 | 47V 1W zener |
| 49 | BAT14-095S | Sie | CS | SOT173 | 18GHz shottky diode |
| 49 | BAT14-095R | Sie | CZ | SOT173 | 18GHz schottky ring quad |
| 49D | BAT14-095D | Sie | CY | SOT173 | 18GHz schottky dual |
| 49R | S849TR | Vis | UQ | SOT143R | MOSIC: biased n-ch dg uhf mosfet for TV 12V |
| 413 | FMMT413 | Zet | N | SOT23 | npn avalanche 150v 0.1A |
| 415 | FMMT415 | Zet | N | SOT23 | npn avalanche 260v 0.1A |
| 417 | FMMT417 | Zet | N | SOT23 | npn avalanche 320v 0.1A |
| 431 | PZM4.3NB1 | Phi | C | SOT346 | 4.3V 0.3W zener |
| 432 | PZM4.3NB2 | Phi | C | SOT346 | 4.3V 0.3W zener |
| 433 | PZM4.3NB3 | Phi | C | SOT346 | 4.3V 0.3W zener |
| 449 | FMMT449 | Zet | N | SOT23 | npn 50V 1A low Vce sat |
| 451 | FMMT451 | Zet | N | SOT23 | npn 60V 1A |
| 455 | FMMT455 | Zet | N | SOT23 | NPN 140V 1A |
| 458 | FMMT458 | Zet | N | SOT23 | npn 400V 0.4A |
| 471 | PZM4.7NB1 | Phi | C | SOT346 | 4.7V 0.3W zener |
| 472 | PZM4.7NB2 | Phi | C | SOT346 | 4.7V 0.3W zener |
| 473 | PZM4.7NB3 | Phi | C | SOT346 | 4.7V 0.3W zener |
| 491 | FMMT491 | Zet | N | SOT23 | ZTX 450/451 |

| | | | | | |
|-----|------------|-----|---|--------|--------------------------|
| 493 | FMMT493 | Zet | N | SOT23 | ZTX 453 |
| 494 | FMMT494 | Zet | N | SOT23 | npn 120V 1A |
| 495 | FMMT495 | Zet | N | SOT23 | npn 170V 1A |
| 497 | FMMT497 | Zet | N | SOT23 | npn 300V 0.5A |
| 4A | MMBV109 | Mot | C | SOT23 | MV209 varicap |
| 4A | FMMV109 | Zet | C | SOT23 | MV209 varicap |
| 4A | HD3A | Zet | C | | 75V 100mA sw diode |
| 4A | BC859A | ITT | N | SOT23 | BC559A |
| 4Ap | BC859A | Phi | N | SOT23 | BC559A |
| 4As | BC859AW | Sie | N | SOT323 | BC559A |
| 4As | BC859A | Sie | N | SOT23 | BC559A |
| 4A3 | PZM4.3NB2A | Phi | A | SOT346 | dual ca 4.3V Zener |
| 4A7 | PZM4.7NB2A | Phi | A | SOT346 | dual ca 4.7V Zener |
| 4AR | BC859AR | Phi | R | SOT23R | BC559A |
| 4B | MMBV432 | Mot | B | | dual cc varicap 1.5-45pF |
| 4B | BC859B | ITT | N | SOT23 | BC559B |
| 4Bs | BC859B | Sie | N | SOT23 | BC559B |
| 4Bs | BC859BW | Sie | N | SOT323 | BC559B |
| 4Bp | BC859B | Phi | N | SOT23 | BC559B |
| 4Bt | BC859B | Phi | N | SOT23 | BC559B |
| 4Bt | BC859BW | Phi | N | SOT323 | BC559B |
| 4B- | BC859BW | Phi | N | SOT323 | BC559B |
| 4BR | BC859BR | Phi | R | SOT23R | BC559B |
| 4C | BC859C | ITT | N | SOT23 | BC559C |
| 4Cs | BC859C | Sie | N | SOT23 | BC559C |
| 4Cs | BC859CW | Sie | N | SOT323 | BC559C |
| 4Cp | BC859C | Phi | N | SOT23 | BC559C |
| 4Ct | BC859C | Phi | N | SOT23 | BC559C |
| 4Ct | BC859CW | Phi | N | SOT323 | BC559C |
| 4C- | BC859CW | Phi | N | SOT323 | BC559C |
| 4C | MMVB3102 | Mot | C | SOT23 | varicap 6-35pF |
| 4C | BC859C | Phi | N | SOT23 | BC559C |
| 4CR | BC859CR | Phi | R | SOT23R | BC559C |
| 4D | BC859B | Phi | N | SOT23 | BC559B |
| 4Dt | BC859W | Phi | N | SOT323 | BC559B |

| | | | | | |
|-----|----------|-----|----|--------|-----------------------------|
| 4D- | BC859W | Phi | N | SOT323 | BC559B |
| 4D | MMBV3401 | Mot | C | SOT23 | VHF pin diode |
| 4D | HD3A | Zet | C | SOT23 | sw diode 75V 100mA |
| 4E | BC860A | Phi | N | SOT23 | BC560A |
| 4E | FMMT-A92 | Zet | N | SOT23 | MPSA92 |
| 4E | MMBV105G | Mot | C | SOT23 | MV105 varicap |
| 4ER | BC860AR | Phi | R | SOT23R | BC560A |
| 4F | MMBD353 | Mot | Z | SOT23 | dual MBD101 |
| 4F | BC860B | Phi | N | SOT23 | BC560B |
| 4F | Gali-4F | MC | AZ | SOT89 | DC-4GHz MMIC amp 15 dBm o/p |
| 4Fs | BC860B | Sie | N | SOT23 | BC560B |
| 4Fs | BC860BW | Sie | N | SOT323 | BC560B |
| 4Fp | BC860B | Phi | N | SOT23 | BC560B |
| 4Ft | BC860B | Phi | N | SOT23 | BC560B |
| 4Ft | BC860BW | Phi | N | SOT323 | BC560B |
| 4F- | BC860BW | Phi | N | SOT323 | BC560B |
| 4FR | BC860BR | Phi | R | SOT23 | BC560B |
| 4G | MMBV2101 | Mot | C | SOT23 | MV2101 varicap |
| 4G | BC860C | Phi | N | SOT23 | BC560C |
| 4Gs | BC860C | Sie | N | SOT23 | BC560C |
| 4Gs | BC860CW | Sie | N | SOT323 | BC560C |
| 4Gp | BC860C | Phi | N | SOT23 | BC560C |
| 4Gt | BC860C | Phi | N | SOT23 | BC560C |
| 4Gt | BC860CW | Phi | N | SOT323 | BC560C |
| 4G- | BC860CW | Phi | N | SOT323 | BC560C |
| 4GR | BC860CR | Phi | R | SOT23 | BC560CR |
| 4H | MMBV2103 | Mot | C | SOT23 | MV2103 varicap |
| 4Hp | BC860 | Phi | N | SOT23 | BC560 |
| 4Ht | BC860W | Phi | N | SOT323 | BC560 |
| 4H- | BC860W | Phi | N | SOT323 | BC560 |
| 4J | FMMT38A | Zet | N | SOT23 | BCX38A |
| 4J | MMBV2109 | Mot | C | SOT23 | MV2109 varicap |
| 4K | BAP64-04 | Phi | D | | dual series 3GHz pin diode |
| 4K | MMSB3000 | Mot | I | SOD123 | Si diode 30V 0.2A |
| 4L | BAP50-04 | Phi | D | | dual series GP RF pin diode |

| | | | | | |
|-----|------------|-----|----|--------|---------------------------|
| 4M | MMBD101 | Mot | C | SOT23 | MBD101 schottky diode |
| 4Ms | BAT240A | Sie | EQ | SOT143 | dual schottky 250V 0.4A |
| 4P | CMDZ24L | CSC | I | SOD323 | zener 250mW Iz 0.5mA 24V |
| 4R | MMBV3700 | Mot | C | SOT23 | 200V vhf pin diode |
| 4S | MMBD201 | Mot | C | SOT23 | MBD201 |
| 4T | MMBD301 | Mot | C | SOT23 | MBD301 UHF schottky diode |
| 4U | MMBV2105 | Mot | C | SOT23 | MV2105 varicap |
| 4V | MMBV2106 | Mot | C | SOT23 | MV2106 varicap |
| 4V | BCW65AR | Zet | R | SOT23R | npn 32V 0.8A |
| 4V3 | PZM4.3NB | Phi | C | SOT346 | 4.3V 0.3W zener |
| 4V7 | PZM4.7NB | Phi | C | SOT346 | 4.7V 0.3W zener |
| 4W | MMBV2107 | Mot | C | SOT23 | MV2107 varicap |
| 4W | BCW67AR | Zet | R | SOT23R | pnv 32V 0.8A |
| 4Y | MMBV2102 | Mot | C | SOT23 | MV2102 varicap |
| 4Y3 | BZV49-C4V3 | Phi | O | SOT89 | 4.3V 1W zener |
| 4Y7 | BZV49-C4V7 | Phi | O | SOT89 | 4.7V 1W zener |
| 4X | MMBV2108 | Mot | C | SOT23 | MV2108 varicap |
| 4Z | MMBV2104 | Mot | C | SOT23 | MV2104 varicap |

Last Updated on 01/06/2006

GM4PMK's SMD Codebook

Codes beginning with '5'

| Code | Device | Manf | Base | Package | Leaded Equivalent/Data |
|--------------|------------|------|------|---------|----------------------------------|
| 5 (white) | BAT60B | Sie | I | | 10V 3A sw Schottky |
| 5 (red) | BBY57-03W | Sie | I | SOD323 | varicap |
| 500 | SSTPAD500 | Sil | J | | PAD-500 500pA leakage diode |
| 51 | BAT15-115S | Sie | CS | SOT173 | 40GHz schottky diode |
| 51 | BAT15-115R | Sie | CZ | SOT173 | 40GHz schottky ring quad |
| 51D | BAT15-115D | Sie | CY | SOT173 | 40GHz schottky dual |
| 51V | PZM51NB | Phi | C | SOT346 | 51V 0.3W zener |
| 51Y | BZV49-C51 | Phi | O | SOT89 | 51V 1W zener |
| 52 | BAT15-025S | Sie | CS | SOT173 | 4GHz schottky diode |
| 52 | BAT15-025R | Sie | CZ | SOT173 | 4GHz schottky ring quad |
| 52 | Gali-52 | MC | AZ | SOT89 | DC-2GHz MMIC amp 23 dB gain |
| 52 | BAS52-02V | Inf | I | SC79 | Schottky diode 45V 750mA |
| 52 | DTA123YE | Roh | N | EMT3 | pnp dtr 2k2 +10k 50V 100mA |
| 52 | DTA123YUA | Roh | N | SC70 | pnp dtr 2k2 +10k 50V 100mA |
| 52 | DTA123YKA | Roh | N | SC59 | pnp dtr 2k2 +10k 50V 100mA |
| 52 | GDZ3.3B | Vis | I | SOD323 | zener 200mW 3.3V |
| 52D | BAT15-025D | Sie | CY | SOT173 | 4GHz schottky dual |
| 53 | CDZ4.7B | Roh | I | VMN2 | zener 4.7V 0.15W |
| 53s | BAT17 | Sie | C | SOT23 | schottky diode 4V 100mA |
| 53R | S503TR | Vis | UQ | SOT143R | dg mosfet MOSIC 5V uhf tv tuners |
| 54 | DTA114YE | Roh | N | EMT3 | pnp dtr 10k + 47k 50V 100mA |
| 54 | DTA114YUA | Roh | N | SC70 | pnp dtr 10k + 47k 50V 100mA |
| 54 | DTA114YKA | Roh | N | SC59 | pnp dtr 10k + 47k 50V 100mA |
| 54 | RSX201L-30 | Roh | I | PMDS | schottky diode 2A 30V |
| 54s | BAT17-04 | Sie | D | SOT23 | dual series BAT17 |
| 54s | BAT17-04W | Sie | D | SOT323 | dual series BAT17 |

| | | | | | |
|-----|-------------|-----|----|---------|---|
| 54R | S504TR | Vis | UQ | SOT143R | dg mosfet MOSIC 5V uhf tv tuners |
| 55 | BAT15-055S | Sie | CS | SOT173 | 8GHz schottky diode |
| 55 | BAT15-055R | Sie | CZ | SOT173 | 8GHz schottky ring quad |
| 55 | Gali-55 | MC | AZ | SOT89 | DC-4GHz MMIC amp 21 dB gain |
| 55 | EDZ16B | Roh | I | EMD2 | 150mW zener 16V |
| 55 | VDZ16B | Roh | I | VMD2 | 150mW zener 16V |
| 55 | CDZ5.1B | Roh | I | VMN2 | zener 5.1V 0.15W |
| 55D | BAT15-055D | Sie | CY | SOT173 | 8GHz schottky dual |
| 55R | S505TR | Vis | UQ | SOT143R | dg mosfet MOSIC 5V uhf tv tuners |
| 55s | BAT17-05 | Sie | A | SOT23 | dual ca BAT17 |
| 55s | BAT17-05W | Sie | A | SOT323 | dual ca BAT17 |
| 56 | RSX301L-30 | Roh | I | PMDS | schottky diode 3A 30V |
| 56 | RSX301LA-30 | Roh | I | PMDT | schottky diode 3A 30V |
| 56s | BAT17-06 | Sie | B | SOT23 | dual cc BAT17 |
| 56s | BAT17-06W | Sie | B | SOT323 | dual cc BAT17 |
| 56V | PZM56NB | Phi | C | SOT346 | 56V 0.3W zener |
| 56Y | BZV49-C56 | Phi | O | SOT89 | 56V 1W zener |
| 57s | BAT17-07 | Sie | S | SOT143 | dual BAT17 |
| 57 | BFQ57 | Sie | CX | SOT173 | npn 6.5GHz 16V/35mA |
| 57 | RSX501L-20 | Roh | I | PMDS | schottky diode 5A 20V |
| 57 | CDZ5.6B | Roh | I | VMN2 | zener 5.6V 0.15W |
| 58 | BFQ58 | Sie | CX | SOT173 | npn 6.5GHz 16V/30mA |
| 59 | BAT15-095S | Sie | CS | SOT173 | 18GHz schottky diode |
| 59 | BAT15-095R | Sie | CZ | SOT173 | 18GHz schottky ring quad |
| 59D | BAT15-095D | Sie | CY | SOT173 | 18GHz schottky dual |
| 503 | S503T | Vis | W | SOT143 | biased dg mosfet MOSIC 5V uhf tv tuners |
| 504 | S504T | Vis | W | SOT143 | biased dg mosfet MOSIC 5V uhf tv tuners |
| 505 | S505T | Vis | W | SOT143 | biased dg mosfet MOSIC 5V uhf tv tuners |
| 511 | PZM5.1NB1 | Phi | C | SOT346 | 5.1V 0.3W zener |
| 512 | PZM5.1NB2 | Phi | C | SOT346 | 5.1V 0.3W zener |

| | | | | | |
|-----|------------|-----|---|--------|---|
| 513 | PZM5.1NB3 | Phi | C | SOT346 | 5.1V 0.3W zener |
| 561 | PZM5.1NB1 | Phi | C | SOT346 | 5.6V 0.3W zener |
| 562 | PZM5.1NB2 | Phi | C | SOT346 | 5.6V 0.3W zener |
| 563 | PZM5.1NB3 | Phi | C | SOT346 | 5.6V 0.3W zener |
| 558 | FMMT558 | Zet | N | SOT23 | pnp 400V 0.15A |
| 589 | FMMT589 | Zet | N | SOT23 | pnp 30V 1A |
| 591 | FMMT591 | Zet | N | SOT23 | ZTX550/551 |
| 593 | FMMT593 | Zet | N | SOT23 | ZTX 553 pnp 100V 1A |
| 593 | S593T | Vis | W | SOT143 | biased dg mosfet MOSIC 5V uhf tv tuners |
| 594 | S594T | Vis | W | SOT143 | biased dg mosfet MOSIC 5V uhf tv tuners |
| 595 | S595T | Vis | W | SOT143 | biased dg mosfet MOSIC 5V uhf tv tuners |
| 596 | FMMT596 | Zet | N | SOT23 | pnp 200V 0.3A |
| 5A | BC807-16 | Phi | N | SOT23 | BC327-16 |
| 5As | BC807-16 | Sie | N | SOT23 | BC327-16 |
| 5As | BC807-16W | Sie | N | SOT323 | BC327-16 |
| 5Ap | BC807-16 | Phi | N | SOT23 | BC327-16 |
| 5At | BC807-16 | Phi | N | SOT23 | BC327-16 |
| 5At | BC807-16W | Phi | N | SOT323 | BC327-16 |
| 5A- | BC807-16W | Phi | N | SOT323 | BC327-16 |
| 5A | BSS123 | Mot | M | SOT23 | n-ch tmosfet Vds 100V |
| 5A | MMBD6050 | Mot | C | SOT23 | sw diode 70V 0.2A |
| 5A | FMMD6050 | Zet | C | SOT23 | sw diode 70V 100mA |
| 5A1 | PZM5.1NB2A | Phi | A | SOT346 | dual ca 5.1V 0.3W zener |
| 5A6 | PZM5.6NB2A | Phi | A | SOT346 | dual ca 5.6V 0.3W zener |
| 5AR | BC807-16R | Phi | R | SOT23R | BC327-16 |
| 5B | MMBT4123 | Mot | N | SOT23 | 2N4123 |
| 5B | BC807-25 | SGS | N | SOT23 | BC327-25 |
| 5Bs | BC807-25 | Sie | N | SOT23 | BC327-25 |
| 5Bs | BC807-25W | Sie | N | SOT323 | BC327-25 |
| 5Bs | BC807-25U | Sie | N | SC74 | BC327-25 |
| 5Bp | BC807-25 | Phi | N | SOT23 | BC327-25 |
| 5Bt | BC807-25 | Phi | N | SOT23 | BC327-25 |

| | | | | | |
|-----|-----------|-----|---|--------|------------------------|
| 5Bt | BC807-25W | Phi | N | SOT323 | BC327-25 |
| 5B- | BC807-25W | Phi | N | SOT323 | BC327-25 |
| 5B | MMBD6100 | Mot | B | SOT23 | cc dual diode 70V 0.2A |
| 5B | FMMD6100 | Zet | B | SOT23 | cc dual diode 70V 0.2A |
| 5BM | MMBD6100 | Mot | B | SOT23 | cc dual diode 70V 0.2A |
| 5BR | BC807-25R | Phi | R | SOT23R | BC327-25 |
| 5C | BC807-40 | SGS | N | SOT23 | BC327-40 |
| 5C | CDZ6.2B | Roh | I | VMN2 | zener 6.2V 0.15W |
| 5Cs | BC807-40 | Sie | N | SOT23 | BC327-40 |
| 5Cs | BC807-40W | Sie | N | SOT323 | BC327-40 |
| 5Cp | BC807-40 | Phi | N | SOT23 | BC327-40 |
| 5Ct | BC807-40 | Phi | N | SOT23 | BC327-40 |
| 5Ct | BC807-40W | Phi | N | SOT323 | BC327-40 |
| 5C- | BC807-40W | Phi | N | SOT323 | BC327-40 |
| 5C | MMBD7000 | Mot | D | SOT23 | 2 ser diodes 100V 0.2A |
| 5C | FMMD7000 | Zet | D | SOT23 | 2 ser diodes 70V 200mA |
| 5CR | BC807-40R | Phi | R | SOT23E | BC327-40 |
| 5D | FMMD914 | Zet | C | SOT23 | 1N914 |
| 5D | MMBD914 | Mot | C | SOT23 | 1N914 |
| 5D | MMSD914 | Mot | I | SOD123 | 1N914 |
| 5D | HD2A | Zet | B | | dual cc HD2 75V 100mA |
| 5Dp | BC807 | Phi | N | SOT23 | BC327 |
| 5Dt | BC807 | Phi | N | SOT23 | BC327 |
| 5Dt | BC807W | Phi | N | SOT323 | BC327 |
| 5D- | BC807W | Phi | N | SOT323 | BC327 |
| 5E | BC808-16 | Phi | N | SOT23 | BC328-16 |
| 5E | CDZ6.8B | Roh | I | VMN2 | zener 6.8V 0.15W |
| 5Es | BC808-16 | Sie | N | SOT23 | BC328-16 |
| 5Es | BC808-16W | Sie | N | SOT323 | BC328-16 |
| 5E | FMMT-A43R | Zet | R | SOT23R | MPSA43 |
| 5E | BC808-16 | Phi | N | SOT23 | BC328-16 |
| 5ER | BC808-16R | Phi | R | SOT23R | BC328-16 |
| 5F | BC808-25 | Phi | N | SOT23 | BC328-25 |
| 5F | CDZ7.5B | Roh | I | VMN2 | zener 7.5V 0.15W |

| | | | | | |
|-----|------------|-----|----|--------|-----------------------------|
| 5Fs | BC808-25 | Sie | N | SOT23 | BC328-25 |
| 5Fs | BC808-25W | Sie | N | SOT323 | BC328-25 |
| 5F | MMBD501 | Mot | C | SOT23 | MBD501 hot carrier diode |
| 5F | Gali-5F | MC | AZ | SOT89 | DC-4GHz MMIC amp 20 dB gain |
| 5FR | BC808-25R | Phi | R | SOT23R | BC328-25 |
| 5G | BC808-40 | Phi | N | SOT23 | BC328-40 |
| 5Gs | BC808-40 | Sie | N | SOT23 | BC328-40 |
| 5Gs | BC808-40W | Sie | N | SOT323 | BC328-40 |
| 5G | MMBD353 | Mot | D | | dual series MBD101 |
| 5GR | BC808-40R | Phi | R | SOT23R | BC328-40 |
| 5H | MMBD701 | Mot | C | SOT23 | MBD701 UHF schottky diode |
| 5Hp | BC808 | Phi | N | SOT23 | BC328 |
| 5HZ | BC808 | Zet | N | SOT23 | BC328 |
| 5H | MMBD4148 | Nat | C | SOT23 | 1N4148 |
| 5I | MMSD4148 | Mot | C | | 1N4148 |
| 5J | FMMT38B | Zet | N | | BCX38B |
| 5K | MMBV809 | Mot | C | SOT23 | Hyperabrupt varicap |
| 5Kp | BAP64-05 | Phi | B | | dual cc 3GHz RF pin diode |
| 5L | MMBV609 | Mot | B | SOT23 | dual cc Hyperabrupt varicap |
| 5N | MMBD452L | Mot | D | SOT23 | series UHF schottky diodes |
| 5P | FMMT2907AR | Zet | R | SOT23R | 2N2907A |
| 5P | CMDZ27L | CSC | I | SOD323 | zener 250mW Iz 0.5mA 27V |
| 5T | BCW66GR | Sie | R | SOT23R | nnp 45V 0.8A 350mW |
| 5V | BCW65BR | Zet | R | SOT23R | nnp 32V 0.8A |
| 5V1 | PZM5.1NB | Phi | C | SOT346 | 5.1V 0.3W zener |
| 5V6 | PZM5.6NB | Phi | C | SOT346 | 5.6V 0.3W zener |
| 5W | BCW67BR | Zet | R | SOT23R | pnp 32V 0.8A |
| 5Y1 | BZV49-C5V1 | Phi | O | SOT89 | 5.1V 1W zener |
| 5Y6 | BZV49-C5V6 | Phi | O | SOT89 | 5.6V 1W zener |

Last Updated on 01/06/2006
By GM4PMK

GM4PMK's SMD Codebook

Codes beginning with '6'

| Code | Device | Manf | Base | Package | Leaded Equivalent/Data |
|---------|-----------|------|------|---------|----------------------------|
| 6 (red) | BBY56-03W | Sie | I | SOD323 | varicap |
| 60s | BAR60 | Sie | QQ | SOT143 | 3 pin diodes |
| 605 | NDS0605 | Fch | M | SOT23 | P-ch mosfet 60V 180mA |
| 61s | BAR61 | Sie | PQ | SOT143 | 3 pin diodes pi atten |
| 61A | MMBF4117 | Nat | F | | n-ch jfet ultra low i/p Ig |
| 61C | MMBF4118 | Nat | F | | n-ch jfet ultra low i/p Ig |
| 61A | MMBF4119 | Nat | F | | n-ch jfet ultra low i/p Ig |
| 61J | MMBF4091 | Nat | F | | n-ch jfet sw/chopper |
| 61K | MMBF4092 | Nat | F | | n-ch jfet sw/chopper |
| 61L | MMBF4093 | Nat | F | | n-ch jfet sw/chopper |
| 61M | MMBF4859 | Nat | F | | n-ch jfet sw/chopper |
| 61N | MMBF5514 | Nat | F | | p-ch jfet sw/chopper |
| 61P | MMBF5115 | Nat | F | | p-ch jfet sw/chopper |
| 61Q | MMBF5516 | Nat | F | | p-ch jfet sw/chopper |
| 61S | MMBF5458 | Nat | F | | n-ch jfet gp 2N5458 |
| 61T | MMBF5459 | Nat | F | | n-ch jfet gp 2N5459 |
| 61U | MMBF5461 | Nat | F | | p-ch jfet gp 2N5461 |
| 61V | MMBF5462 | Nat | F | | p-ch jfet gp 2N5462 |
| 62 | EDZ3.6B | Roh | I | EMD2 | 150mW zener 3.6V |
| 62 | VDZ3.6B | Roh | I | VMD2 | 150mW zener 3.6V |
| 62 | DTC123YE | Roh | N | EMT3 | npn dtr 2k2 +10k 50V 100mA |
| 62 | DTC123YUA | Roh | N | SC70 | npn dtr 2k2 +10k 50V 100mA |
| 62 | DTC123YKA | Roh | N | SC59 | npn dtr 2k2 +10k 50V 100mA |
| 62 | GDZ3.6B | Vis | I | SOD323 | zener 200mW 3.6V |
| 62P | MMBFJ201 | Nat | F | | n-ch jfet gp J201 |
| 62Q | MMBFJ202 | Nat | F | | n-ch jfet gp J202 |
| 62R | MMBFJ203 | Nat | F | | n-ch jfet gp J203 |
| 62S | MMBFJ270 | Nat | F | | p-ch jfet gp J270 |

| | | | | | |
|-----|-----------|-----|----|--------|-----------------------------------|
| 62T | MMBFJ271 | Nat | F | | p-ch jfet gp J271 |
| 62V | PZM62NB1 | Phi | C | SOT346 | 62V 0.3W zener |
| 62Y | BZV49-C62 | Phi | O | SOT89 | 62V 1W zener |
| 63s | BAT64 | Sie | C | SOT23 | Schottky 40V 250mA gp |
| 63s | BAT64W | Sie | C | SOT323 | Schottky 40V 250mA gp |
| 63Q | MMBFJ304 | Nat | F | | n-ch jfet vhf J304 |
| 6-3 | 1PS70SB40 | Phi | C | SOT323 | gp Schottky 40V 120mA |
| 6t3 | 1PS70SB40 | Phi | C | SOT323 | gp Schottky 40V 120mA |
| 64 | DTC114YE | Roh | N | EMT3 | npn dtr 10k + 47k 50V 100mA |
| 64 | DTC114YUA | Roh | N | SC70 | npn dtr 10k + 47k 50V 100mA |
| 64 | DTC114YKA | Roh | N | SC59 | npn dtr 10k + 47k 50V 100mA |
| 64s | BAT64-04 | Sie | D | SOT23 | dual ser gp Schottky 40V 250mA |
| 64s | BAT64-04W | Sie | D | SOT323 | dual ser gp Schottky 40V 250mA |
| 6-4 | 1PS70SB44 | Phi | D | SOT323 | dual series gp Schottky 40V 120mA |
| 6t4 | 1PS70SB44 | Phi | D | SOT323 | dual series gp Schottky 40V 120mA |
| 65 | RF071M2S | Roh | I | PMDU | diode 200V 0.7A HF rectifier |
| 65 | EDZ18B | Roh | I | EMD2 | 150mW zener 18V |
| 65 | VDZ18B | Roh | I | VMD2 | 150mW zener 18V |
| 65s | BAT64-05 | Sie | B | SOT23 | dual cc gp Schottky 40V 250mA |
| 65s | BAT64-05W | Sie | B | SOT323 | dual cc gp Schottky 40V 250mA |
| 6-5 | 1PS70SB45 | Phi | B | SOT323 | dual cc gp Schottky 40V 120mA |
| 6t5 | 1PS70SB45 | Phi | B | SOT323 | dual cc gp Schottky 40V 120mA |
| 66 | RF101ML2S | Roh | I | PMDS | diode 200V 1A HF rectifier |
| 66s | BAT64-06 | Sie | A | SOT23 | dual ca gp Schottky 40V 250mA |
| 66s | BAT64-06W | Sie | A | SOT323 | dual ca gp Schottky 40V 250mA |
| 6-6 | 1PS70SB40 | Phi | A | SOT323 | dual ca gp Schottky 40V 120mA |
| 6t6 | 1PS70SB40 | Phi | A | SOT323 | dual ca gp Schottky 40V 120mA |
| 67s | BAT64-07 | Sie | S | SOT143 | dual gp Schottky 40V 250mA |
| 67s | BAT64-07W | Sie | S | SOT343 | dual gp Schottky 40V 250mA |
| 67 | BFP67 | Tfk | X | | npn Rf fT 7.5GHz 10V 50mA |
| 67R | BFP67R | Tfk | WQ | | npn Rf fT 7.5GHz 10V 50mA |
| 68 | RF073M2S | Roh | I | PMDU | diode 200V 1A HF rectifier |
| 68Y | BZV49-C68 | Phi | O | SOT89 | 68V 1W zener |
| 68V | PZM68NB1 | Phi | C | SOT346 | 68V 0.3W zener |

| | | | | | |
|-----|------------|-----|----|--------|----------------------------|
| 69 | RF103L2S | Roh | I | PMDS | HF rectifier diode 200V 1A |
| 69 | DTA114YE | Mot | N | SOT416 | pnp dtr 10k +47k |
| 69 | DTC115EE | Roh | N | EMT3 | nnp dtr 100k+100k 50V 20mA |
| 69 | DTC115EUA | Roh | N | SC70 | nnp dtr 100k+100k 50V 20mA |
| 69 | DTC115EKA | Roh | N | SC59 | nnp dtr 100k+100k 50V 20mA |
| 605 | NDS0605 | Fch | M | | p-ch sw mosfet 60V |
| 610 | NDS0610 | Fch | M | | p-ch sw mosfet 60V |
| 614 | FMMT614 | Zet | N | SOT23 | sw |
| 617 | FMMT617 | Zet | N | SOT23 | nnp sw 15V 3A |
| 618 | FMMT618 | Zet | N | SOT23 | nnp sw 20V 2.5A |
| 619 | FMMT619 | Zet | N | SOT23 | nnp sw 50V 2A |
| 621 | PZM6.2NB1 | Phi | C | SOT346 | 6.2V 0.3W zener |
| 622 | PZM6.2NB2 | Phi | C | SOT346 | 6.2V 0.3W zener |
| 623 | PZM6.2NB3 | Phi | C | SOT346 | 6.2V 0.3W zener |
| 624 | FMMT624 | Zet | N | SOT23 | |
| 625 | FMMT625 | Zet | N | SOT23 | |
| 634 | FMMT634 | Zet | N | SOT23 | 100V 0.9A darlington nnp |
| 651 | PZT651 | Mot | N | SOT223 | nnp 60V 1A |
| 681 | PZM6.8NB1 | Phi | C | SOT346 | 6.8V 0.3W zener |
| 682 | PZM6.8NB2 | Phi | C | SOT346 | 6.8V 0.3W zener |
| 683 | PZM6.8NB1 | Phi | C | SOT346 | 6.8V 0.3W zener |
| 6A | MMBF4416 | Mot | ZC | SOT23 | 2N4416 n-ch vhf jfet |
| p6A | PMBF4416 | Phi | ZC | SOT23 | 2N4416 n-ch vhf jfet |
| 6A | MUN2111 | Mot | N | SOT23 | pnnp dtr with 10k+10k |
| 6A | MUN5111 | Mot | N | SOT323 | pnnp dtr with 10k+10k |
| 6A | BC817-16 | Phi | N | SOT23 | BC337-16 |
| 6As | BC817-16 | Sie | N | SOT23 | BC337-16 |
| 6As | BC817-16 | Sie | N | SOT323 | BC337-16 |
| 6Ap | BC817-16W | Phi | N | SOT23 | BC337-16 |
| 6At | BC817-16 | Phi | N | SOT23 | BC337-16 |
| 6At | BC817-16W | Phi | N | SOT323 | BC337-16 |
| 6A- | BC817-16W | Phi | N | SOT323 | BC337-16 |
| 6A2 | PZM6.2NB2A | Phi | A | SOT346 | dual ca 6.2V 0.3W zener |
| 6A8 | PZM6.8NB2A | Phi | A | SOT346 | dual ca 6.8V 0.3W zener |

| | | | | | |
|-----|-----------|-----|----|--------|------------------|
| 6AR | BC817-16R | Phi | R | SOT23 | BC337-16 |
| 6AZ | BC817-16 | Zet | N | SOT23 | BC337-16 |
| 6B | MMBF5484 | Mot | ZC | SOT23 | n-ch jfet 2N5484 |
| p6B | PMBF5484 | Phi | ZC | SOT23 | n-ch jfet 2N5484 |
| 6B | BC817-25 | Phi | N | SOT23 | BC337-25 |
| 6Bs | BC817-25 | Sie | N | SOT23 | BC337-25 |
| 6Bs | BC817-25W | Sie | N | SOT323 | BC337-25 |
| 6Bp | BC817-25 | Phi | N | SOT23 | BC337-25 |
| 6Bt | BC817-25 | Phi | N | SOT23 | BC337-25 |
| 6Bt | BC817-25W | Phi | N | SOT323 | BC337-25 |
| 6B- | BC817-25W | Phi | N | SOT323 | BC337-25 |
| 6B | MUN2112 | Mot | N | SOT23 | pnp dtr 22k+22k |
| 6B | MUN5112 | Mot | N | SOT323 | MUN2112 |
| 6BR | BC817-25R | Phi | R | SOT23R | BC337-25 |
| 6BZ | BC817-25 | Zet | N | SOT23 | BC337-25 |
| 6C | BC817-40 | Phi | N | SOT23 | BC337-40 |
| 6Cs | BC817-40 | Sie | N | SOT23 | BC337-40 |
| 6Cs | BC817-40W | Sie | N | SOT323 | BC337-40 |
| 6Cp | BC817-40 | Phi | N | SOT23 | BC337-40 |
| 6Ct | BC817-40 | Phi | N | SOT23 | BC337-40 |
| 6Ct | BC817-40W | Phi | N | SOT323 | BC337-40 |
| 6C- | BC817-40W | Phi | N | SOT323 | BC337-40 |
| 6C | MMBFU310 | Mot | F | SOT23 | n-ch jfet U310 |
| 6C | MUN2113 | Mot | N | SOT23 | pnp dtr 47k+47k |
| 6C | MUN5113 | Mot | N | SOT323 | MUN2113 |
| 6CR | BC817-40R | Phi | R | SOT23R | BC337-40 |
| 6CZ | BC817-40 | Zet | N | SOT23 | BC337-40 |
| 6Dp | BC817 | Phi | N | SOT23 | BC337 |
| 6Dt | BC817 | Phi | N | SOT23 | BC337 |
| 6Dt | BC817W | Phi | N | SOT323 | BC337 |
| 6D- | BC817W | Phi | N | SOT323 | BC337 |
| 6D | MMBF5457 | Mot | F | SOT23 | 2N5457 n-ch jfet |
| 6D | MUN2114 | Mot | N | SOT23 | pnp dtr 10k+47k |
| 6D | MUN5114 | Mot | N | SOT323 | MUN21141 |

| | | | | | |
|-----|-----------|-----|----|--------|-----------------------------|
| 6DZ | BC817 | Zet | N | SOT23 | BC337 |
| 6E | FMMT-A93R | Zet | R | SOT23R | MPSA93 |
| 6E | MMBF5460 | Mot | F | SOT23 | p-ch jfet 2N5460 |
| 6E | BC818-16 | Phi | N | SOT23 | BC338-16 |
| 6Es | BC818-16 | Sie | N | SOT23 | BC338-16 |
| 6Es | BC818-16W | Sie | N | SOT323 | BC338-16 |
| 6E | MUN2115 | Mot | N | SOT23 | pnp dtr R1 10k |
| 6E | MUN5115 | Mot | N | SOT323 | MUN2115 |
| 6ER | BC818-16R | Phi | R | SOT23 | BC338-16 |
| 6EZ | BC818-16 | Zet | N | SOT23 | BC338-16 |
| 6F | MMBF4860 | Mot | F | SOT23 | 2N4860 n-ch jfet |
| 6F | BC818-25 | Phi | N | SOT23 | BC338-25 |
| 6Fs | BC818-25 | Sie | N | SOT23 | BC338-25 |
| 6Fs | BC818-25W | Sie | N | SOT323 | BC338-25 |
| 6F | MUN2116 | Mot | N | SOT23 | pnp dtr R1 4k7 |
| 6F | MUN5116 | Mot | N | SOT323 | MUN2116 |
| 6F | Gali-6F | MC | AZ | SOT89 | DC-4GHz MMIC amp 12 dB gain |
| 6FR | BC818-25R | Phi | R | SOT23R | BC338-25 |
| 6FZ | BC818-25 | Zet | N | SOT23 | BC338-25 |
| 6G | BC818-40 | Phi | N | SOT23 | BC338-40 |
| 6Gs | BC818-40 | Sie | N | SOT23 | BC338-40 |
| 6Gs | BC818-40W | Sie | N | SOT323 | BC338-40 |
| 6G | MMBF4393 | Mot | ZC | SOT23 | n-ch jfet 2N4393 |
| 6G | MUN2130 | Mot | N | SOT23 | pnp dtr 1k0+1k0 |
| 6G | MUN5130 | Mot | N | SOT323 | ial">MUN2130 |
| 6GR | BC818-40R | Phi | R | SOT23 | BC338-40 |
| 6GZ | BC818-40 | Zet | N | SOT23 | BC338-40 |
| p6G | PMBF4393 | Phi | ZC | SOT23 | n-ch jfet 2N4393 |
| 6Hp | BC818 | Phi | N | SOT23 | BC338 |
| 6HZ | BC818 | Zet | N | SOT23 | BC338 |
| 6H | MMBF5486 | Mot | ZC | SOT23 | n-ch jfet 2N5486 |
| p6H | PMBF5486 | Phi | ZC | SOT23 | n-ch jfet 2N5486 |
| 6H | MUN2131 | Mot | N | SOT23 | pnp dtr 2k2 +2k2 |
| 6H | MUN5131 | Mot | N | SOT323 | MUN2121 |

| | | | | | |
|-----|----------|-----|----|--------|---------------------------|
| 6J | MMBF4391 | Mot | F | SOT23 | n-ch jfet 2N4391 |
| 6J | MUN2132 | Mot | N | SOT23 | pnv dtr 4k7+ 4k7 |
| 6J | MUN5132 | Mot | N | SOT323 | MUN2132 |
| p6J | PMBF4391 | Phi | F | SOT23 | n-ch jfet 2N4391 |
| 6K | MMBF4932 | Mot | F | SOT23 | n-ch jfet 2N4932 |
| 6K | MUN2133 | Mot | N | SOT23 | pnv dtr 4k7+ 47k |
| 6K | MUN5133 | Mot | N | SOT323 | MUN2133 |
| p6K | PMBF4932 | Phi | F | SOT23 | n-ch jfet 2N4932 |
| 6L | MMBF5459 | Mot | F | SOT23 | n-ch jfet 2N5459 |
| 6L | MUN2134 | Mot | N | SOT23 | pnv dtr 22k+47k |
| 6L | MUN5134 | Mot | N | SOT323 | MUN2134 |
| 6M | MMBF5485 | Nat | ZC | SOT23 | n-ch jfet vhf 2N5485 |
| p6M | PMBF5485 | Nat | ZC | SOT23 | n-ch jfet vhf 2N5485 |
| 6N | MMBF4861 | Nat | F | SOT23 | n-ch jfet sw/chopper |
| 6Q | MMBFJ305 | Nat | F | | n-ch jfet vhf J305 |
| 6P | MMBFJ111 | Nat | F | | J111 n-ch jfet |
| 6P | BCX71HR | Phi | R | SOT23R | BCX79 |
| 6R | MMBFJ112 | Nat | F | | J112 n-ch jfet |
| 6P | MMBFJ113 | Nat | F | | J113 n-ch jfet |
| 6P | CMDZ30L | CSC | I | SOD323 | zener 250mW Iz 0.5mA 30V |
| 6S | MMBFJ176 | Nat | F | | J176 n-ch jfet |
| 6S | MMSD71 | Mot | C | | gp Si diode |
| p6S | PMBFJ176 | Phi | F | | J176 n-ch jfet |
| 6T | BCW68GR | Sie | R | | pnv 45V 0.8A 350mW |
| 6T | MMBFJ310 | Mot | F | SOT23 | uhf n-ch jfet J310 |
| 6U | MMBFJ309 | Nat | F | SOT23 | uhf n-ch jfet J309 |
| 6V | BCW65CR | Zet | R | SOT23R | npn 32V 0.8A |
| 6V | MMBFJ174 | Nat | F | | J174 p-ch jfet sw/chopper |
| 6V2 | PZM6.2NB | Phi | C | SOT346 | 6.2V 0.3W zener |
| 6V8 | PZM6.8NB | Phi | C | SOT346 | 6.8V 0.3W zener |
| 6W | BCW67CR | Zet | R | SOT23R | pnv32V 0.8A |
| 6W | MMBFJ175 | Mot | F | SOT23 | J175 p-ch jfet |
| p6W | PMBFJ175 | Phi | F | SOT23 | J175 p-ch jfet |
| 6X | MMBFJ174 | Nat | F | | J174 p-ch jfet sw/chopper |

| | | | | | |
|-----|------------|-----|---|-------|---------------------------|
| p6X | PMBFJ174 | Phi | F | | J174 p-ch jfet sw/chopper |
| 6Y | MMBFJ177 | Mot | F | SOT23 | J177 p-ch jfet |
| p6Y | PMBFJ177 | Phi | F | SOT23 | J177 p-ch jfet |
| 6Y2 | BZV49-C6V2 | Phi | O | SOT89 | 6.2V 1W zener |
| 6Y8 | BZV49-C6V8 | Phi | O | SOT89 | 6.8V 1W zener |
| 6Z | MMBF170 | Mot | M | SOT23 | tmosfet n-ch Vds 60V |

Last Updated on 01/06/2006

By GM4PMK

GM4PMK's SMD Codebook

Codes beginning with '7'

| Code | Device | Manf | Base | Package | Leaded Equivalent/Data |
|--------------|-----------|------|------|---------|----------------------------|
| 7 (white) | BBY55-02W | Sie | I | SCD80 | UHF Varicap |
| 70 | BFQ70 | Sie | CX | SOT173 | npn fT 5.2GHz 15V 35mA |
| 7-0 | 1PS70SB10 | Phi | C | SOT323 | schottky diode 30V 0.2A |
| 7t0 | 1PS70SB10 | Phi | C | SOT323 | schottky diode 30V 0.2A |
| 71 | BFQ71 | Sie | CX | SOT173 | npn fT 5.2GHz 15V 30mA |
| 72 | BFQ72 | Sie | CX | SOT173 | npn fT 5.1GHz 15V 50mA |
| 72 | 2N7002 | Sil | M | SOT23 | n-ch mosfet 60V 170mA |
| 72 | GDZ3.9B | Vis | I | SOD323 | zener 200mW 3.9V |
| 72 | EDZ3.9B | Roh | I | EMD2 | 150mW zener 3.9V |
| 72 | VDZ3.9B | Roh | I | VMD2 | 150mW zener 3.9V |
| 72 | RB161M-20 | Roh | I | PMDU | schottky diode 1A 25V |
| 73s | BAS70 | Sie | C | SOT23 | schottky diode 70V 50mA |
| 73p | BAS70 | Phi | C | SOT23 | schottky diode 70V 50mA |
| 73t | BAS70 | Phi | C | SOT23 | schottky diode 70V 50mA |
| 73t | BAS70W | Phi | C | SOT323 | schottky diode 70V 50mA |
| 73- | BAS70W | Phi | C | SOT323 | schottky diode 70V 50mA |
| 73 | MA4CS101A | M/A | C | SOT23 | schottky diode 70V 50mA |
| 73 | BFQ73 | Sie | CX | SOT173 | npn fT 4.9GHz 15V 75mA |
| 73 | 2SC5004 | Nec | N | | npn RF 5GHz @5V 5mA |
| 73 | RB161M-30 | Roh | I | PMDU | schottky diode 1A 30V |
| 73S | BFQ73S | Sie | CX | SOT173 | npn fT 5.3GHz 15V 100mA |
| 74 | BFQ74 | Sie | CX | SOT173 | npn fT 6GHz 16V 35mA |
| 74s | BAS70-04 | Sie | D | SOT23 | dual series BAS70 |
| 74p | BAS70-04 | Phi | D | SOT23 | dual series BAS70 |
| 74t | BAS70-04 | Phi | D | SOT23 | dual series BAS70 |
| 74t | BAS70-04W | Phi | D | SOT323 | dual series BAS70 |
| 74t | BAS70-04W | Phi | D | SOT323 | dual series BAS70 |
| 74 | MA4CS101B | M/A | D | SOT23 | dual series MA4CS101A (73) |

| | | | | | |
|-----|------------|-----|----|--------|-------------------------------------|
| 74 | DTA114WE | Rho | N | EMT3 | pnnp dtr 10k + 4k7 50V 100mA |
| 74 | DTA114WUA | Rho | N | SC70 | pnnp dtr 10k + 4k7 50V 100mA |
| 74 | DTA114WKA | Rho | N | SC59 | pnnp dtr 10k + 4k7 50V 100mA |
| 74 | 2SC5005 | Nec | N | | npn RF 5.5GHz @5V 5mA |
| 74 | RB160M-40 | Roh | I | PMDU | schottky diode 1A 40V |
| 7-4 | 1PS70SB14 | Phi | D | SOT323 | dual series schottky diode 30V 0.2A |
| 7t4 | 1PS70SB14 | Phi | D | SOT323 | dual series schottky diode 30V 0.2A |
| 75 | RSX101M-30 | Roh | I | PMDU | schottky diode 1A 30V |
| 75s | BAS70-05 | Sie | B | SOT23 | dual cc BAS70 |
| 75s | BAS70-05W | Sie | B | SOT323 | dual cc BAS70 |
| 75p | BAS70-05 | Phi | B | SOT23 | dual cc BAS70 |
| 75t | BAS70-05W | Phi | B | SOT323 | dual cc BAS70 |
| 75t | BAS70-05 | Phi | B | SOT23 | dual cc BAS70 |
| 75- | BAS70-05W | Phi | B | SOT323 | dual cc BAS70 |
| 75 | BFQ75 | Sie | CX | SOT173 | pnnp fT 5GHz 12V 50mA |
| 75 | EDZ20B | Roh | I | EMD2 | 150mW zener 20V |
| 75 | VDZ20B | Roh | I | VMD2 | 150mW zener 20V |
| 7-5 | 1PS70SB15 | Phi | B | SOT323 | dual cc schottky diode 30V 0.2A |
| 7t5 | 1PS70SB15 | Phi | B | SOT323 | dual cc schottky diode 30V 0.2A |
| 75Y | BZV49-C75 | Phi | O | SOT89 | 75V 1W zener |
| 76 | RB160M-60 | Roh | I | PMDU | schottky diode 1A 60V |
| 76s | BAS70-06 | Sie | A | SOT23 | dual ca BAS70 |
| 76p | BAS70-06 | Phi | A | SOT23 | dual ca BAS70 |
| 76t | BAS70-06 | Phi | A | SOT23 | dual ca BAS70 |
| 76t | BAS70-06W | Phi | A | SOT323 | dual ca BAS70 |
| 76- | BAS70-06W | Phi | A | SOT323 | dual ca BAS70 |
| 76 | BFQ76 | Sie | CX | SOT173 | pnnp fT 5GHz 15V 30mA |
| 76 | DTA144WE | Rho | N | EMT3 | pnnp dtr 47k + 22k 50V 30mA |
| 76 | DTA144WUA | Rho | N | SC70 | pnnp dtr 47k + 22k 50V 30mA |
| 76 | DTA144WKA | Rho | N | SC59 | pnnp dtr 47k + 22k 50V 30mA |
| 7-6 | 1PS70SB16 | Phi | A | SOT323 | dual ca schottky diode 30V 0.2A |
| 7t6 | 1PS70SB16 | Phi | A | SOT323 | dual ca schottky diode 30V 0.2A |
| 77s | BAS70-07 | Sie | S | SOT143 | dual BAS70 |
| 77s | BAS70-07 | Sie | S | SOT343 | dual BAS70 |
| 77 | MA4CS101E | M/A | S | SOT143 | dual MA4CS101A (73) |

| | | | | | |
|-----|------------|-----|----|--------|-----------------------------|
| 77 | BFQ77 | Sie | CX | SOT173 | nnp ft 7GHz 15V 20mA |
| 78 | MMBT4258 | Nat | N | SOT23 | pnp sw ft 700MHz |
| 79 | RB1070M-30 | Roh | I | PMDU | schottky diode 1.5A 30V |
| 701 | 2N7001 | Mot | M | SOT23 | n-ch mosfet |
| 702 | 2N7002 | Mot | M | SOT23 | n-ch mosfet 60V 0.11A |
| 703 | 2N7003 | Mot | M | SOT23 | n-ch mosfet |
| 712 | NDS7002A | Nat | M | SOT23 | n-ch mosfet 60V 0.28A |
| 717 | FMMT717 | Zet | N | SOT23 | pnp sw 0.625W 2.5A 12V |
| 718 | FMMT718 | Zet | N | SOT23 | pnp sw 0.625W 1.5A 20V |
| 720 | FMMT720 | Zet | N | SOT23 | pnp sw 0.625W 1.5A |
| 722 | FMMT722 | Zet | N | SOT23 | pnp sw |
| 723 | FMMT723 | Zet | N | SOT23 | pnp sw |
| 751 | PZM7.5NB1 | Phi | C | SOT346 | 7.5V 0.3W zener |
| 752 | PZM7.5NB2 | Phi | C | SOT346 | 7.5V 0.3W zener |
| 753 | PZM7.5NB3 | Phi | C | SOT346 | 7.5V 0.3W zener |
| 7A | MMBR901 | Mot | N | SOT23 | nnp RF MRF901 |
| 7A | MUN5211DW1 | Mot | DN | SOT363 | dual npn dtr 10k+10k |
| 7A5 | PZM7.5NB2A | Phi | A | SOT346 | dual ca 7.5V 0.3W zener |
| 7B | MMBR920 | Mot | N | SOT23 | nnp RF ?MRF920 |
| 7B | UMZC6.8N | Roh | A | UMD3 | dual ESDca zener 6.8V 0.2W |
| 7B | STZC6.8N | Roh | A | SMD3 | dual ESDca zener 6.8V 0.2W |
| 7B | MUN5212DW1 | Mot | DN | SOT363 | dual npn dtr 22k+22k |
| 7C | MMBR930 | Mot | N | SOT23 | nnp RF ?MRF930 |
| 7C | MUN5213DW1 | Mot | DN | SOT363 | dual npn dtr 47k+47k |
| 7D | MMBR931 | Mot | N | SOT23 | nnp RF ?MRF931 |
| 7D | HD4A | Zet | A | | ca dual HD3A |
| 7D | UMZC6.2N | Roh | A | UMD3 | dual ESDca zener 6.82V 0.2W |
| 7D | MUN5214DW1 | Mot | DN | SOT363 | dual npn dtr 10k+47k |
| 7E | FMMT-A42R | Zet | R | | MPSA42 |
| 7E | MMBR2060 | Mot | N | | nnp RF ft 1GHz Vce 30V 50mA |
| 7E | MUN5215DW1 | Mot | DN | SOT363 | dual npn 10k base res |
| 7F | MMBR4957 | Mot | N | | nnp RF ft 1.2GHz 30V 30mA |
| 7F | MUN5211DW1 | Mot | DN | SOT363 | dual npn dtr R1 4k7 |
| 7G | MMBR5031 | Mot | N | SOT23 | nnp RF ft 1GHz 10V 20mA |
| 7G | MUN5230DW1 | Mot | DN | SOT363 | dual npn dtr 1k0+1k0 |

| | | | | | |
|-----|------------|-----|----|---------|-----------------------------|
| 7H | MMBR5179 | Mot | N | SOT23 | npn RF 2N5179/BFY90 |
| 7H | MUN5231DW1 | Mot | DN | SOT363 | dual npn dtr 2k2+2k2 |
| 7J | FMMT38C | Zet | N | SOT23 | BCX38C |
| 7J | MUN5232DW1 | Mot | DN | SOT363 | dual npn dtr 4k7+4k7 |
| 7K | MMBR2857 | Mot | N | | npn RF fT 1GHz Vce 15V 40mA |
| 7K | MUN5233DW1 | Mot | DN | SOT363 | dual npn dtr 4k7+47k bias |
| 7L | MUN5234DW1 | Mot | DN | SOT3636 | dual npn dtr 22k+47k bias |
| 7M | MUN5235DW1 | Mot | DN | SOT363 | dual npn dtr 2k2+47k bias |
| 7M | MMBR521L | Mot | N | SOT23 | pnnp RF MRF521 |
| 7M | BCW66HR | Zet | R | SOT23R | npn 45V 0.8A |
| 7N | MMBR941BL | Mot | N | SOT23 | npn RF fT 8GHz MRF941 |
| 7N | BCW68HR | Zet | R | SOT23 | pnnp 45V 0.8A |
| 7N | CMDZ1L8 | CSC | I | SOD323 | zener 250mW Iz 0.5mA 1.8V |
| 7P | BCW66FR | SGS | R | SOT23R | npn 45V 0.8A 350mW |
| 7P | MMBR911L | Mot | N | SOT23 | npn RF fT 6GHz MRF911 |
| 7P | CMDZ33L | CSC | I | SOD323 | zener 250mW Iz 0.5mA 33V |
| 7R | MMBR536 | Mot | N | | npn RF MRF536 |
| 7T | BCW68FR | Zet | R | SOT23R | pnnp 45V 0.8A |
| 7V5 | PZM7.5NB | Phi | C | SOT346 | 7.5V 0.3W zener |
| 7X | MMBR571L | Mot | N | SOT23 | npn RF fT 8GHz MRF571 |
| 7Y | MMBR941L | Mot | N | SOT23 | npn RF fT 8GHz MRF941 |
| 7Y5 | BZV49-C7V5 | Phi | O | SOT89 | 7.5V 1W zener |
| 7Z | MMBR951L | Mot | N | SOT23 | npn RF fT7.5GHz MRF951 |

Last Updated on 01/06/2006

By G4PMK

GM4PMK's SMD Codebook

Codes beginning with '8'

| Code | Device | Manf | Base | Package | Leaded Equivalent/Data |
|---------------|-----------|------|------|---------|----------------------------------|
| 8 (yellow) | BBY58-03W | Sie | I | SOD323 | varicap |
| 8 | BB178 | Phi | I | SOD523 | VHF varicap 2.5-16pf |
| 81 | ZMV831BV2 | Zet | I | SOD523 | 28V hyperabrupt varicap 15pF @2V |
| 81A | MMBZ5250B | Mot | C | SOT23 | 20V zener 0.225W |
| 81A | PMBZ5250B | Phi | C | SOT23 | 20V zener 0.225W |
| 81B | MMBZ5251B | Mot | C | SOT23 | 22V zener 0.225W |
| 81B | PMBZ5251B | Phi | C | SOT23 | 22V zener 0.225W |
| 81C | MMBZ5252B | Mot | C | SOT23 | 24V zener 0.225W |
| 81C | PMBZ5252B | Phi | C | SOT23 | 24V zener 0.225W |
| 81D | MMBZ5253B | Mot | C | SOT23 | 25V zener 0.225W |
| 81D | PMBZ5253B | Phi | C | SOT23 | 25V zener 0.225W |
| 81E | MMBZ5254B | Mot | C | SOT23 | 27V zener 0.225W |
| 81E | PMBZ5254B | Mot | C | SOT23 | 27V zener 0.225W |
| 81F | MMBZ5255B | Mot | C | SOT23 | 28V zener 0.225W |
| 81F | PMBZ5255B | Sie | C | SOT23 | 28V zener 0.225W |
| 81G | MMBZ5256B | Mot | C | SOT23 | 30V zener 0.225W |
| 81G | PMBZ5256B | Phi | C | SOT23 | 30V zener 0.225W |
| 81H | MMBZ5257B | Mot | C | SOT23 | 33V zener 0.225W |
| 81H | PMBZ5257B | Phi | C | SOT23 | 33V zener 0.225W |
| 81J | MMBZ5258B | Vis | C | SOT23 | 36V zener 300mW |
| 81K | MMBZ5259B | Vis | C | SOT23 | 39V zener 300mW |
| 81M | MMBZ5261B | Vis | C | SOT23 | 47V zener 300mW |
| 81N | MMBZ5262B | Vis | C | SOT23 | 51V zener 300mW |
| 81P | MMBZ5263B | Vis | C | SOT23 | 56V zener 300mW |
| 81Q | MMBZ5264B | Vis | C | SOT23 | 60V zener 300mW |
| 81R | MMBZ5265B | Vis | C | SOT23 | 62V zener 300mW |
| 81S | MMBZ5266B | Vis | C | SOT23 | 68V zener 300mW |
| 81T | MMBZ5267B | Vis | C | SOT23 | 75V zener 300mW |

| | | | | | |
|-----|-----------|-----|----|---------|--------------------------------------|
| 82 | 2SC5009 | Nec | N | | npn RF ft 12GHz @ 3V 5mA |
| 82 | ZMV832BV2 | Zet | I | SOD523 | 28V hyperabrupt varicap 22pF @2V |
| 82 | GDZ4.3B | Vis | I | SOD323 | zener 200mW 4.3V |
| 82 | EDZ4.3B | Roh | I | EMD2 | 150mW zener 4.3V |
| 82 | VDZ4.3B | Roh | I | VMD2 | 150mW zener 4.3V |
| 82R | S886TR | Vis | UQ | SOT143R | biased n-ch dg uhf mosfet for TV 12V |
| 82P | BFP182T | Tfk | X | | npn RF ft 7.5GHz 10V 35mA |
| 83 | MMBT4400 | Nat | N | | npn 2N4400 |
| 83 | RB160M-90 | Roh | I | PMDU | schottky diode 1A 90V |
| 83s | BAT68 | Sie | C | SOT23 | gp Schottky 8V 130mA |
| 83s | BAT68W | Sie | C | SOT323 | gp Schottky 8V 130mA |
| 83 | 2SC5010 | Nec | N | | npn RF ft 12GHz 3V 10mA |
| 83 | MA4CS102A | M/A | C | SOT23 | schottky diode 8V 30mA |
| 83P | BFP183T | Tfk | X | | npn RF ft 7.4GHz 10V 65mA |
| 84s | BAT68-04 | Sie | D | SOT23 | dual ser gp Schottky 8V 130mA |
| 84s | BAT68-04W | Sie | D | SOT323 | dual ser gp Schottky 8V 130mA |
| 84 | MA4CS102B | M/A | D | SOT23 | dual ser schottky diode 8V 30mA |
| 84 | DTC114WE | Rho | N | EMT3 | npn dtr 10k + 4k7 50V 100mA |
| 84 | DTC114WUA | Rho | N | SC70 | npn dtr 10k + 4k7 50V 100mA |
| 84 | DTC114WKA | Rho | N | SC59 | npn dtr 10k + 4k7 50V 100mA |
| 85 | MMBD1701 | Nat | C | | Fast Si diode 30V 50mA |
| 85 | MA4CS102A | M/A | B | SOT23 | dual cc schottky diode 8V 30mA |
| 85 | EDZ22B | Roh | I | EMD2 | 150mW zener 22V |
| 85 | VDZ22B | Roh | I | VMD2 | 150mW zener 22V |
| 85s | BAT68-05 | Sie | B | SOT23 | gp dual cc Schottky 8V 130mA |
| 85s | BAT68-05W | Sie | B | SOT323 | gp dual cc Schottky 8V 130mA |
| 86 | MMBD1702 | Nat | K | | Fast Si diode 30V 50mA |
| 86 | DTC144WE | Rho | N | EMT3 | npn dtr 47k + 22k 50V 30mA |
| 86 | DTC144WUA | Rho | N | SC70 | npn dtr 47k + 22k 50V 30mA |
| 86 | DTC144WKA | Rho | N | SC59 | npn dtr 47k + 22k 50V 30mA |
| 86s | BAT68-06 | Sie | A | SOT23 | gp dual ca Schottky 8V 130mA |
| 86s | BAT68-06W | Sie | A | SOT323 | gp dual ca Schottky 8V 130mA |
| 87 | MMBD1703 | Nat | D | | dual ser MMBD1701 |

| | | | | | |
|-----|------------|-----|----|--------|--------------------------------------|
| 87 | MA4CS102A | M/A | S | SOT143 | dual schottky diode 8V 30mA |
| 87s | BAT68-07 | Sie | S | SOT143 | gp dual schottky 8V 130mA |
| 88 | MMBD1704 | Nat | B | | dual cc MMBD1701 |
| 89 | MMBD1705 | Nat | A | | dual ca MMBD1701 |
| 821 | PZM8.2NB1 | Phi | C | SOT23 | 8.2V 0.3W zener |
| 822 | PZM8.2NB2 | Phi | C | SOT23 | 8.2V 0.3W zener |
| 822 | S822T | Tfk | X | | nnp RF ft 5.2GHz 6V 8mA |
| 823 | PZM8.2NB3 | Phi | C | SOT23 | 8.2V 0.3W zener |
| 849 | S849T | Vis | W | SOT143 | biased n-ch dg uhf mosfet for TV 12V |
| 852 | S852T | Tfk | N | SOT23 | nnp RF ft 5.2GHz 6V 8mA |
| 887 | S887T | Tfk | W | SOT143 | n-ch dg uhf mosfet |
| 888 | S888T | Tfk | W | SOT142 | n-ch dg uhf mosfet |
| 8A | NJM78L02A | NJR | KQ | SOT89 | 78L 2.0V 0.1A regulator |
| 8A | MMBZ5226B | Mot | C | SOT23 | 3.3V zener 0.225W |
| 8A | MUN2211 | Mot | N | SOT23 | nnp dtr 10k +10k |
| 8A | MUN5211 | Mot | N | SOT323 | nnp dtr 10k +10k |
| 8A | 2DA1774Q | Dio | N | SOT523 | gp pnp 60V 150mA hfe 120-270 |
| 8A2 | PZM8.2NB2A | Phi | C | SOT23 | dual ca 8.2V 0.3W zener |
| 8B | NJM78L03A | NJR | KQ | SOT89 | 78L 3.0V 0.1A regulator |
| 8B | MMBZ5227B | Mot | C | SOT23 | 3.6V zener 0.225W |
| 8B | MUN2212 | Mot | N | SOT23 | nnp dtr 22k+22k |
| 8B | MUN5212 | Mot | N | SOT323 | nnp dtr 22k+22k |
| 8B | 2DA1774Q | Dio | N | SOT523 | gp pnp 60V 150mA hfe 180-390 |
| 8C | NJM78L05A | NJR | KQ | SOT89 | 78L 5.0V 0.1A regulator |
| 8C | MMBZ5228B | Mot | C | SOT23 | 3.9V zener 0.225W |
| 8C | MUN2213 | Mot | N | SOT23 | nnp dtr 47k + 47k |
| 8C | MUN5213 | Mot | N | SOT323 | nnp dtr 47k + 47k |
| 8C | 2DA1774S | Dio | N | SOT523 | gp pnp 60V 150mA hfe 270-560 |
| 8D | MUN2214 | Mot | N | SOT23 | nnp dtr 10k + 47k |
| 8D | MUN5214 | Mot | N | SOT323 | MUN2214 |
| 8D | 2DC4617Q | Dio | N | SOT523 | gp nnp 60V 150mA hfe 120-270 |
| 8E | NJM78L06A | NJR | KQ | SOT89 | 78L 6.0V 0.1A regulator |
| 8E | FMMT-A92R | Zet | R | SOT23R | MPSA92 |
| 8E | MMBZ5230B | Mot | C | SOT23 | 4.7V zener 0.225W |
| 8E | MUN2215 | Mot | N | SOT23 | nnp dtr R1 10k |

| | | | | | |
|----|-----------|-----|----|--------|------------------------------|
| 8E | MUN5215 | Mot | N | SOT323 | npn dtr R1 10k |
| 8E | 2DC4617R | Dio | N | SOT523 | gp npn 60V 150mA hfe 180-390 |
| 8F | NJM78L07A | NJR | KQ | SOT89 | 78L 7.0V 0.1A regulator |
| 8F | MMBZ5231B | Mot | C | SOT23 | 5.1V zener 0.225W |
| 8F | MUN2216 | Mot | N | SOT23 | npn dtr R1 4k7 |
| 8F | MUN5216 | Mot | N | SOT323 | MUN2216 |
| 8F | 2DC4617S | Dio | N | SOT523 | gp npn 60V 150mA hfe 270-560 |
| 8G | NJM78L08A | NJR | KQ | SOT89 | 78L 8.0V 0.1A regulator |
| 8G | MMBZ5232B | Mot | C | SOT23 | 5.6V zener 0.225W |
| 8G | MUN2230 | Mot | N | SOT23 | npn dtr 1k0+1k0 |
| 8G | MUN5230 | Mot | N | SOT323 | npn dtr 1k0+1k0 |
| 8H | NJM78L09A | NJR | KQ | SOT89 | 78L 9.0V 0.1A regulator |
| 8H | MMBZ5233B | Mot | C | SOT23 | 6.0V zener 0.225W |
| 8H | MUN2231 | Mot | N | SOT23 | npn dtr 2k2+2k2 |
| 8H | MUN5231 | Mot | N | SOT323 | npn dtr 2k2+2k2 |
| 8J | NJM78L10A | NJR | KQ | SOT89 | 78L 10V 0.1A regulator |
| 8J | MMBZ5234B | Mot | C | SOT23 | 6.2V zener 0.225W |
| 8J | MUN2232 | Mot | N | SOT23 | npn dtr 4k7+ 4k7 |
| 8J | MUN5232 | Mot | N | SOT323 | npn dtr 4k7+ 4k7 |
| 8K | NJM78L12A | NJR | KQ | SOT89 | 78L 12V 0.1A regulator |
| 8K | MMBZ5235B | Mot | C | SOT23 | 6.8V zener 0.225W |
| 8K | MUN2233 | Mot | N | SOT23 | npn dtr 4k7+ 47k |
| 8K | MUN5233 | Mot | N | SOT323 | npn dtr 4k7+ 47k |
| 8L | NJM78L15A | NJR | KQ | SOT89 | 78L 15V 0.1A regulator |
| 8L | MMBZ5236B | Mot | C | SOT23 | 7.5V zener 0.225W |
| 8L | MUN2234 | Mot | N | SOT23 | npn dtr 22k + 47k |
| 8L | MUN5234 | Mot | N | SOT323 | npn dtr 22k + 47k |
| 8M | NJM78L18A | NJR | KQ | SOT89 | 78L 18V 0.1A regulator |
| 8M | MMBZ5237B | Mot | C | SOT23 | 8.2V zener 0.225W |
| 8N | NJM78L20A | NJR | KQ | SOT89 | 78L 20V 0.1A regulator |
| 8N | MMBZ5238B | Mot | C | SOT23 | 8.7V zener 0.225W |
| 8N | CMDZ2L0 | CSC | I | SOD323 | zener 250mW Iz 0.5mA 2.0V |
| 8P | NJM78L24A | NJR | KQ | SOT89 | 78L 24V 0.1A regulator |
| 8P | MMBZ5239B | Mot | C | SOT23 | 9.1V zener 0.225W |
| 8P | CMDZ36L | CSC | I | SOD323 | zener 250mW Iz 0.5mA 36V |

| | | | | | |
|-----|------------|-----|----|-------|-------------------------|
| 8Q | MMBZ5240B | Mot | C | SOT23 | 10V zener 0.225W |
| 8R | MMBZ5241B | Mot | C | SOT23 | 11V zener 0.225W |
| 8S | MMBZ5242B | Mot | C | SOT23 | 12V zener 0.225W |
| 8T | MMBZ5243B | Mot | C | SOT23 | 13V zener 0.225W |
| 8U | MMBZ5244B | Mot | C | SOT23 | 14V zener 0.225W |
| 8V | MMBZ5245B | Mot | C | SOT23 | 15V zener 0.225W |
| 8V2 | PZM8.2NB | Phi | C | SOT23 | 8.2V 0.3W zener |
| 8W | MMBZ5246B | Mot | C | SOT23 | 16V zener 0.225W |
| 8X | MMBZ5247B | Mot | C | SOT23 | 17V zener 0.225W |
| 8Y | MMBZ5248B | Mot | C | SOT23 | 18V zener 0.225W |
| 8Y2 | BZV49-C8V2 | Phi | O | SOT89 | 8.2V 1W zener |
| 8Z | NJM78L62A | NJR | KQ | SOT89 | 78L 6.2V 0.1A regulator |
| 8Z | MMBZ5249B | Mot | C | SOT23 | 19V zener 0.225W |

*Last Updated on 01/06/2006
By GM4PMK*

GM4PMK's SMD Codebook

Codes beginning with '9'

| Code | Device | Manf | Base | Package | Leaded Equivalent/Data |
|------|-----------|------|------|---------|---|
| 9 | BC849 | Mot | N | SOT23 | BC 549B |
| 9 | BB179 | Phi | I | SOD523 | UHF varicap 2-11.5pf |
| 91 | ZV931V2 | Zet | I | SOD523 | 4-13.5pF hyperabrupt varicap |
| 91 | DTA113TKA | Roh | N | SC59 | pnp dtr R11k0 50V 100mA |
| 91A | FMMT591A | Zet | N | SOT23 | pnp 40V 1A 0.5W fT 150 MHz |
| 92 | ZV932V2 | Zet | I | SOD523 | 5.5-17pF hyperabrupt varicap |
| 92 | GDZ4.7B | Vis | I | SOD323 | zener 200mW 4.7V |
| 92 | EDZ4.7B | Roh | I | EMD2 | 150mW zener 4.7V |
| 92 | VDZ4.7B | Roh | I | VMD2 | 150mW zener 4.7V |
| 92V | BFP92A | Tfk | W | | nnp RF 6GHz 16V 30mA |
| 93 | ZV933V2 | Zet | I | SOD523 | 12-42pF hyperabrupt varicap |
| 93 | DTA143TE | Roh | N | EMT3 | pnp dtr R1 4k7 50V 100mA |
| 93 | DTA143TUA | Roh | N | SC70 | pnp dtr R1 4k7 50V 100mA |
| 93 | DTA143TKA | Roh | N | SC59 | pnp dtr R1 4k7 50V 100mA |
| 93R | S593TR | Vis | UQ | SOT143R | biased dg mosfet MOSIC 5V uhf tv tuners |
| 94 | DTA114TE | Roh | N | EMT3 | pnp dtr R1 10k 50V 100mA |
| 94 | DTA114TUA | Roh | N | SC70 | pnp dtr R1 10k 50V 100mA |
| 94 | DTA114TKA | Roh | N | SC59 | pnp dtr R1 10k 50V 100mA |
| 94R | S594TR | Vis | UQ | SOT143R | biased dg mosfet MOSIC 5V uhf tv tuners |
| 95 | DTA124TE | Roh | N | EMT3 | pnp dtr R1 22k 50V 100mA |
| 95 | DTA124TCA | Roh | N | SOT23 | pnp dtr R1 22k 50V 100mA |
| 95 | DTA124TKA | Roh | N | SC59 | pnp dtr R1 22k 50V 100mA |
| 25 | EDZ24B | Roh | I | EMD2 | 150mW zener 24V |
| 25 | VDZ24B | Roh | I | VMD2 | 150mW zener 24V |
| 95R | S595TR | Vis | UQ | SOT143R | biased dg mosfet MOSIC 5V uhf tv tuners |
| 96 | DTA144TE | Roh | N | EMT3 | pnp dtr R1 47k 50V 100mA |
| 96 | DTA144TUA | Roh | N | SC70 | pnp dtr R1 47k 50V 100mA |

| | | | | | |
|-----|------------|-----|-----|---------|--|
| 96 | DTA144TKA | Roh | N | SC59 | pnp dtr R1 47k 50V 100mA |
| 99 | DTA115TE | Roh | N | EMT3 | pnp dtr R1 100k 50V 100mA |
| 99 | DTA115TUA | Roh | N | SC70 | pnp dtr R1 100k 50V 100mA |
| 99 | DTA115TKA | Roh | N | SC59 | pnp dtr R1 100k 50V 100mA |
| 99R | S949TR | Vis | UQ | SOT143R | biased dg uhf mosfet MOSIC for TV tuners 9V |
| 911 | PZM9.1NB1 | Phi | C | SOT346 | 9.1V 0.3W zener |
| 912 | PZM9.1NB2 | Phi | C | SOT346 | 9.1V 0.3W zener |
| 913 | PZM9.1NB3 | Phi | C | SOT346 | 9.1V 0.3W zener |
| 913 | S913T | Vis | W | SOT143 | biased dg mosfet MOSIC 9V uhf tv tuners |
| 949 | S949T | Vis | W | SOT143 | biased dg uhf mosfet MOSIC for TV tuners 9V |
| 982 | S886T | Vis | W | SOT143 | biased dg uhf mosfet MOSIC for TV tuners 12V |
| 9A | FMMT2369AR | Zet | R | SOT23 | 2N2369A |
| 9A | DTA125TUA | Roh | N | SC70 | pnp dtr R1 200k 50V 100mA |
| 9A | DTA125TKA | Roh | N | SC59 | pnp dtr R1 200k 50V 100mA |
| 9A | PLVA650A | Phi | C | SOT23 | 5.0V avalanche reg diode |
| 9A1 | PZM9.1NB2A | Phi | A | SOT346 | dual ca 9.1V 0.3W zener |
| 9B | NJM79L03UA | NJR | KQR | SOT89 | 79L reg 3.0V 0.1A |
| 9B | PLVA653A | Phi | C | SOT23 | 5.3V avalanche reg diode |
| 9C | NJM79L05UA | NJR | KQR | SOT89 | 79L reg 5.0V 0.1A |
| 9C | PLVA656A | Phi | C | SOT23 | 5.6V avalanche reg diode |
| 9D | PLVA659A | Phi | C | SOT23 | 5.9V avalanche reg diode |
| 9E | NJM79L06UA | NJR | KQR | SOT89 | 79L reg 6.0V 0.1A |
| 9E | PLVA662A | Phi | C | SOT23 | 6.2V avalanche reg diode |
| 9F | PLVA665A | Phi | C | SOT23 | 6.5V avalanche reg diode |
| 9G | NJM79L08UA | NJR | KQR | SOT89 | 79L reg 8.0V 0.1A |
| 9G | PLVA668A | Phi | C | SOT23 | 6.8V avalanche reg diode |
| 9H | NJM79L09UA | NJR | KQR | SOT89 | 79L reg 9.0V 0.1A |
| 9J | PLVA2650A | Phi | A | SOT23 | dual ca 5.0V reg diode |
| 9K | NJM79L12UA | NJR | KQR | SOT89 | 79L reg 12V 0.1A |
| 9K | PLVA2653A | Phi | A | SOT23 | dual ca 5.3V reg diode |
| 9L | NJM79L15UA | NJR | KQR | SOT89 | 79L reg 15V 0.1A |
| 9L | PLVA2656A | Phi | A | SOT23 | dual 5.60V reg diode |

| | | | | | |
|-----|------------|-----|-----|--------|---------------------------|
| 9M | NJM79L18UA | NJR | KQR | SOT89 | 79L reg 18V 0.1A |
| 9M | PLVA2659A | Phi | A | SOT23 | dual ca 5.9V reg diode |
| 9N | PLVA2662A | Phi | A | SOT23 | dual ca 6.2V reg diode |
| 9N | CMDZ2L2 | CSC | I | SOD323 | zener 250mW Iz 0.5mA 2.2V |
| 9O | PLVA2665A | Phi | A | SOT23 | dual ca 6.5V reg diode |
| 9P | NJM79L24UA | NJR | KQR | SOT89 | 79L reg 24V 0.1A |
| 9P | PLVA2668A | Phi | A | SOT23 | dual ca 6.8V reg diode |
| 9P | BCX70HR | Zet | R | SOT23 | BCX70H |
| 9P | CMDZ39L | CSC | I | SOD323 | zener 250mW Iz 0.5mA 39V |
| 9R | FMMT2369R | Zet | R | SOT23 | 2N2369 |
| 9V1 | PZM9.1NB | Phi | C | SOT346 | 9.1V 0.3W zener |
| 9Y1 | BZV49-C9V1 | Phi | O | SOT89 | 9.1V 1W zener |

*Last Updated on 01/06/2006
By GM4PMK*

GM4PMK's SMD Codebook

Codes beginning with 'A'

| Code | Device | Manf | Base | Package | Leaded Equivalent/Data |
|------|------------|------|------|---------|------------------------|
| A | BA892 | Sie | I | SCD80 | 35V 100mA pin |
| A | 1SS355 | Roh | I | USM | 100V 50mA sw |
| A | MRF947 | Mot | N | SOT323 | npn RF 8 GHz |
| A0 | HSMS-2800 | HP | C | SOT23 | HP2800 schottky |
| A0 | HSMS-280B | HP | C | SOT323 | HP2800 schottky |
| A03 | VAM-03 | MC | AQ | | modamp MAR 3 Similar |
| A06 | VAM-06 | MC | AQ | | modamp MAR 6 Similar |
| A07 | VAM-07 | MC | AQ | | modamp MAR 7 Similar |
| A1 | HSMS-2801 | HP | K | | HP2800 schottky |
| A1 | BAW56W | Phi | A | SOT323 | dual ca BAW62 (1N4148) |
| A1 | BAW56 | Phi | A | SOT23 | dual ca BAW62 (1N4148) |
| A1 | BAW56 | Phi | A | SOT23 | dual ca BAW62 (1N4148) |
| A1p | BAW56 | Phi | A | SOT23 | dual ca BAW62 (1N4148) |
| A1t | BAW56T | Phi | A | SOT416 | dual ca BAW62 (1N4148) |
| A1t | BAW56S | Phi | | SOT363 | dual ca BAW62 (1N4148) |
| A1s | BAW56W | Sie | A | SOT323 | dual ca BAW62 (1N4148) |
| A1s | BAW56 | Sie | A | SOT23 | dual ca BAW62 (1N4148) |
| A1s | BAW56U | Sie | A | SC74 | dual ca BAW62 (1N4148) |
| A1X | MBAW56 | Mot | A | | ditto |
| A2 | HSMS-2802 | HP | D | SOT23 | dual HP2800 |
| A2 | HSMS-280C | HP | D | SOT323 | dual HP2800 |
| A2 | 1N4148W | CSC | I | SOD123 | 1N4148 |
| A2 | BAT18 | Phi | C | SOT23 | BA482 |
| A2s | BAT18 | Sie | C | SOT23 | BA482 |
| A2 | MMBD2836 | Mot | A | SOT23 | dual ca sw diode 75V |
| A2 | CFY30 | Sie | CQ | SOT143 | n-ch GaAsfet 6 GHz |
| A2 | MBT3906DW1 | Mot | DO | SOT363 | dual 2N3906 |
| A2 | EDZ5.1B | Roh | I | EMD2 | 150mW zener 5.1V |
| A2 | VDZ5.1B | Roh | I | VMD2 | 150mW zener 5.1V |

| | | | | | |
|-----|-----------|------|----|--------------|------------------------------|
| A22 | BAS21 | Phi | C | SOD27 | BAV21 |
| A2X | MMBD2836 | Mot | A | SOT23 | dual ca sw 75V 100mA 15ns |
| A3 | BAP64-03 | Phi | I | SOD323 | 3 GHz pin diode |
| A3 | HSMS-2803 | HP | D | SOT23 | HP2800 ser pair |
| A3 | MMBD1005 | Mot | A | SOT23 | dual ca Si diode low leakage |
| A3 | BAS16 | Zet | C | | Si sw 75V 100mA |
| A3 | BAT17 | Phi | C | SOT23 | BA481 |
| A3 | 1N4448W | CSC | I | SOD123 | 1N4448 |
| A3p | BAT17 | Phi | C | SOT23 | BA481 |
| A3t | BAT17 | Phi | C | SOT23 | BA481 |
| A3 | MBT3906DW | Mot | N | SOT363 | dual 2N3906 |
| A3X | MMBD2835 | Mot | A | SOT23 | dual ca sw 35V 100mA 15nS |
| A4 | HSMS-2804 | HP | B | SOT23 | dual cc HP2800 schottky |
| A4 | 1SS383 | Tosh | DT | USQ | 2 x 40V 0.1A schottky |
| A4 | 1SS383 | Tosh | DT | SMQ/ SC61 | 2 x 40V 0.1A schottky |
| A4 | 1N4150W | CSC | I | SOD123 | 1N4150 |
| A4s | BAV70W | Sie | B | SOT323 | dual cc BAW62 |
| A4s | BAV70 | Sie | B | SOT23 | dual cc BAW62 |
| A4s | BAV70T | Sie | B | SOT416 | dual cc BAW62 |
| A4s | BAV70U | Sie | B | SC74 | dual cc BAW62 |
| A4 | BAV70W | Phi | B | SOT323 | dual cc BAW62 |
| A4p | BAV70 | Phi | B | SOT23 | dual cc BAW62 |
| A4t | BAV70 | Phi | B | SOT23 | dual cc BAW62 |
| A4t | BAV70 | Phi | B | SOT363 | dual cc BAW62 |
| A4X | MBAV70 | Mot | B | | ditto |
| A5 | BAP51-03 | Phi | I | SOD323 | GP RF pin diode |
| A5p | BRY61 | Phi | | SOT143 | |
| A5t | BRY61 | Phi | | SOT143 | |
| A5 | HSMS-2805 | HP | S | SOT143 | dual HP2800 schottky |
| A5 | 1SS384 | Tosh | DT | USM | dua 10V/100ma Schottky |
| A5 | 1SS391 | Tosh | DT | SC61 | dua 10V/100ma Schottky |
| A5 | MMBD1010 | Mot | B | SOT23 | dual cc Si diodes |
| A5 | MMBD2837 | Mot | B | SOT23 | dual cc diodes 30V 150mA |
| A5 | 1N4151W | CSC | I | SOD123 | 1N4151 |
| A5 | EDZ27B | Roh | I | EMD2 | 150mW zener 27V |

| | | | | | |
|-----|-----------|------|----|--------|-----------------------|
| A5 | VDZ27B | Roh | I | VMD2 | 150mW zener 27V |
| A6s | BAS16W | Sie | C | SOT323 | BAW62 (1N4148) |
| A6s | BAS16 | Sie | C | SOT23 | BAW62 (1N4148) |
| A6s | BAS16U | Sie | C | SC74 | BAW62 (1N4148) |
| A6 | BAS16W | Phi | C | SOT323 | BAW62 (1N4148) |
| A6p | BAS16 | Phi | C | SOT23 | BAW62 (1N4148) |
| A6t | BAS16 | Phi | C | SOT23 | BAW62 (1N4148) |
| A6 | BAS16T | Phi | C | SOT416 | BAW62 (1N4148) |
| A6 | BAS216 | Phi | I | SOD110 | BAW62 (1N4148) |
| A6 | BAS16D | CSC | I | SOD123 | BAW62 |
| A6p | BAS316 | Phi | I | SOD323 | BAW62 (1N4148) |
| A6 | MMBD2836 | Mot | B | SOT23 | dual sw diode cc 75V |
| A6 | HN2S01FU | Tosh | DV | US6 | 3 x 10V 0.1A schottky |
| A6 | HN2S01F | Tosh | DV | SM6 | 3 x 10V 0.1A schottky |
| A6A | MMUN2111 | Mot | N | SOT23 | pnp dtr 10k+10k |
| A6B | MMUN2112 | Mot | N | SOT23 | pnp dtr 22k+22k |
| A6C | MMUN2113 | Mot | N | SOT23 | pnp dtr 47k+47k |
| A6D | MMUN2114 | Mot | N | SOT23 | pnp dtr 100k+100k |
| A6E | MMUN2115 | Mot | N | SOT23 | pnp dtr R1 10k |
| A6F | MMUN2116 | Mot | N | SOT23 | pnp dtr R1 4k7 |
| A6G | MMUN2130 | Mot | N | SOT23 | pnp dtr 1k0+1k0 |
| A6H | MMUN2131 | Mot | N | SOT23 | pnp dtr 2k2+2k2 |
| A6J | MMUN2132 | Mot | N | SOT23 | pnp dtr 4k7+4k7 |
| A6K | MMUN2133 | Mot | N | SOT23 | pnp dtr 4k7+47k |
| A6L | MMUN2134 | Mot | N | SOT23 | pnp dtr 22k+47k |
| A6X | MMBD2838 | Mot | B | SOT23 | dual sw 50V 100mA |
| A7s | BAV99 | Sie | D | SOT23 | dual ser BAW92 |
| A7s | BAV99W | Sie | D | SOT323 | dual ser BAW92 |
| A7s | BAV99T | Sie | D | SC75 | dual ser BAW92 |
| A7s | BAV99U | Sie | D | SC74 | dual ser BAW92 |
| A7 | BAV99W | Phi | D | SOT323 | dual ser BAW92 |
| A7 | BAV99 | Phi | D | SOT23 | dual ser BAW92 |
| A7 | HSMS-2807 | HP | RQ | SOT143 | HP2800 ring quad |
| A7 | 1SS402 | Tosh | DT | USM | 2 x 20V 50mA schottky |
| A8 | HSMS-2808 | HP | BQ | SOT143 | HP2800 bridge quad |

| | | | | | |
|-----|------------|------|----|---------|------------------------------|
| A8 | BAP50-03 | Phi | I | SOD323 | GP RF pin diode |
| A8 | BAV19W | CSC | I | SOD123 | sw diode BAV19 |
| A8 | BAS19 | Phi | C | SOT23 | BAV19 |
| A7 | HN2S03FU | Tosh | DT | US6 | 3 x 20V 50mA schottky |
| A7p | BFG310W/XR | Phi | WQ | SOT343R | npn RF ft 14 GHz 6V 60mW |
| A8 | SI2308DS | Sil | M | SOT23 | N-ch mosfet, 60V 0.1A |
| A8A | MMUN2211 | Mot | N | SOT23 | npn dtr 10k +10k |
| A8B | MMUN2212 | Mot | N | SOT23 | npn dtr 22k +22k |
| A8C | MMUN2213 | Mot | N | SOT23 | npn dtr 47k+47k |
| A8D | MMUN2214 | Mot | N | SOT23 | npn dtr 100k+100k |
| A8E | MMUN2215 | Mot | N | SOT23 | npn dtr R1 10k |
| A8F | MMUN2216 | Mot | N | SOT23 | npn dtr R1 4k7 |
| A8G | MMUN2230 | Mot | N | SOT23 | npn dtr 1k0 +1k0 |
| A8H | MMUN2231 | Mot | N | SOT23 | npn dtr 2k2+2k2 |
| A8J | MMUN2232 | Mot | N | SOT23 | npn dtr 4k7+4k7 |
| A8K | MMUN2233 | Mot | N | SOT23 | npn dtr 4k7+47k |
| A8L | MMUN2234 | Mot | N | SOT23 | npn dtr 22k+47k |
| A9 | SI2309DS | Sil | M | SOT23 | P-ch mosfet, 60V 0.1A |
| A9 | BAV20W | CSC | I | SOD123 | sw diode BAV20 |
| A9 | HN2S02FU | Tosh | DV | US6 | 3 x 40 V 0.1A schottky |
| A9 | 1SS322 | Tosh | C | SC70 | 40V 0.1A schottky |
| A9 | 1SS294 | Tosh | C | SC59 | 40V 0.1A schottky |
| A11 | MMBD1501A | Fch | C | SOT23 | 180V 200mA diode |
| A13 | MMBD1503A | Fch | D | SOT23 | 180V 200mA dual diode series |
| A14 | MMBD1504A | Fch | B | SOT23 | 180V 200mA dual diode cc |
| A15 | MMBD1505A | Fch | A | SOT23 | 180V 200mA dual diode ca |
| A16 | ZC934A | Zet | C | SOT23 | 25-95pF hyperabrupt varicap |
| A17 | ZC933A | Zet | C | SOT23 | 12-42pF hyperabrupt varicap |
| A51 | BRY62 | Phi | | SOT143 | |
| A61 | BAS28 | CSC | S | SOT143 | dual fast sw diodes |
| A81 | BAS20 | Phi | C | SOT23 | BAV20 |
| A82 | BAS21 | Phi | C | SOT23 | BAV21 |
| A91 | BAS17 | Phi | C | SOT23 | BA314 |
| AA | BCX51 | Sie | P | SOT89 | pnp 45V audio comp BCX54 |
| AA | BCW60A | TT | N | SOT23 | BCY58-vii |

| | | | | | |
|-----|---------------|-----|----|--------|-------------------------------------|
| AA | ZMV829A | Zet | I | SOD323 | varicap hyperabrupt 28V 8.2pF@2V |
| AA | BAV21W | CSC | I | SOD123 | sw diode BAV21 |
| AAs | BCW60A | Sie | N | SOT23 | BCY58-vii |
| AAA | MMBF4856 | Mot | F | SOT23 | 2N4856 n-ch chopper jfet |
| AAG | MMBR951AL | Mot | N | SOT23 | npn RF 8GHz |
| AAH | MAX6326_R22-T | Max | ZB | SC70 | microproc -ve reset gen 2.200V |
| AAI | MAX6327_R22-T | Max | ZB | SC70 | microproc +ve reset gen 2.200V |
| AAJ | MAX6328_R22-T | Max | ZB | SC70 | microproc -ve reset gen 2.200V |
| AAN | MAX809LXR | Max | ZB | SC70 | microproc -ve reset gen 5.0V |
| AAO | MAX809MXR | Max | ZB | SC70 | microproc -ve reset gen 5.0V |
| AAP | MAX809TXR | Max | ZB | SC70 | microproc -ve reset gen 3.3V |
| AAQ | MAX809SXR | Max | ZB | SC70 | microproc -ve reset gen 3.3V |
| AAR | MAX809RXR | Max | ZB | SC70 | microproc -ve reset gen 3.0V |
| AAS | MAX803ZXR | Max | ZB | SC70 | microproc -ve reset gen 2.5V |
| AAT | MAX810LXR | Max | ZB | SC70 | microproc +ve reset gen 5.0V |
| AAU | MAX810MXR | Max | ZB | SC70 | microproc +-ve reset gen 5.0V |
| AAV | MAX810TXR | Max | ZB | SC70 | microproc +ve reset gen 3.3V |
| AAW | MAX810RXR | Max | ZB | SC70 | microproc +ve reset gen 3.0V |
| AAX | MAX810SXR | Max | ZB | SC70 | microproc +ve reset gen 3.3V |
| AAZ | MAX810ZXR | Max | ZB | SC70 | microproc +ve reset gen 2.5V |
| AAZ | MAX803LXR | Max | ZB | SC70 | microproc -ve reset gen 5.0V |
| AB | BCW60B | ITT | N | SOT23 | BCY58-viii |
| AB | ZMV830A | Zet | I | SOD323 | varicap hyperabrupt 28V 10pF@2V |
| AB | 2SC4213 | | N | | |
| ABs | BCW60B | Sie | N | SOT23 | BCY58-viii |
| ABp | BCW60B | Phi | N | SOT23 | BCY58-viii |
| ABt | BCW60B | Phi | N | SOT23 | BCY58-viii |
| ABA | MAX803TXR | Max | ZB | SC70 | microproc -ve reset gen 5.0V |
| ABB | MAX803MXR | Max | ZB | SC70 | microproc -ve reset gen 3.3V |
| ABC | MAX803SXR | Max | ZB | SC70 | microproc -ve reset gen 3.3V |
| ABD | MAX803RXR | Max | ZB | SC70 | microproc -ve reset gen 3.0V |

| | | | | | |
|-----|----------------|-----|----|------|------------------------------|
| ABE | MAX803ZXR | Max | ZB | SC70 | microproc -ve reset gen 2.5V |
| ABF | LM4041AIX3-1.2 | Max | L | SC70 | 1.225V 0.1% shunt V ref |
| ABG | LM4041BIX3-1.2 | Max | L | SC70 | 1.225V 0.2% shunt V ref |
| ABH | LM4041DIX3-1.2 | Max | L | SC70 | 1.225V 0.5% shunt V ref |
| ABI | LM4041DIX3-1.2 | Max | L | SC70 | 1.225V 1.5% shunt V ref |
| ABJ | LM4040AIX3-2.1 | Max | L | SC70 | 2.048V 0.1% shunt V ref |
| ABK | LM4040BIX3-2.1 | Max | L | SC70 | 2.048V 0.2% shunt V ref |
| ABL | LM4040CIX3-2.1 | Max | L | SC70 | 2.048V 0.5% shunt V ref |
| ABM | LM4040DIX3-2.1 | Max | L | SC70 | 2.048V 1% shunt V ref |
| ABN | LM4040AIX3-2.5 | Max | L | SC70 | 2.5001% shunt V ref |
| ABO | LM4040BIX3-2.5 | Max | L | SC70 | 2.500V 0.2% shunt V ref |
| ABP | LM4040CIX3-2.5 | Max | L | SC70 | 2.500V 0.5% shunt V ref |
| ABQ | LM4040DIX3-2.5 | Max | L | SC70 | 2.500V 1% shunt V ref |
| ABR | LM4040AIX3-3.0 | Max | L | SC70 | 3.000V 0.1% shunt V ref |
| ABS | LM4040BIX3-3.0 | Max | L | SC70 | 3.000V 0.2% shunt V ref |
| ABT | LM4040CIX3-3.0 | Max | L | SC70 | 3.000V 0.5% shunt V ref |
| ABU | LM4040DIX3-3.0 | Max | L | SC70 | 3.000V 1% shunt V ref |
| ABV | LM4040AIX3-4.1 | Max | L | SC70 | 4.096V 0.1% shunt V ref |
| ABW | LM4040BIX3-4.1 | Max | L | SC70 | 4.096V 0.2% shunt V ref |
| ABX | LM4040CIX3-4.1 | Max | L | SC70 | 4.096V 0.5% shunt V ref |

| | | | | | |
|-----|----------------|-----|----|--------|---------------------------------|
| ABY | LM4040DIX3-4.1 | Max | L | SC70 | 4.096V 1% shunt V ref |
| ABZ | LM4040AIX3-5.0 | Max | L | SC70 | 5.000V 0.1% shunt V ref |
| AC | BCX51-100 | Sie | P | SOT89 | 45V pnp audio hfe 100 |
| AC | BCX51-10 | Phi | P | SOT89 | 45V pnp audio hfe 100 |
| AC | BCW60C | Phi | N | SOT23 | BCY58-ix |
| AC | ZMV831A | Zet | I | SOD323 | varicap hyperabrupt 28V 15pF@2V |
| ACs | BCW60C | Sie | N | SOT23 | BCY58-ix |
| ACp | BCW60C | Phi | N | SOT23 | BCY58-ix |
| ACt | BCW60C | Phi | N | SOT23 | BCY58-ix |
| ACA | LM4040BIX3-5.0 | Max | L | SC70 | 5.000V 0.2% shunt V ref |
| ACB | LM4040CIX3-5.0 | Max | L | SC70 | 5.000V 0.5% shunt V ref |
| ACC | LM4040DIX3-5.0 | Max | L | SC70 | 5.000V 1% shunt V ref |
| ACE | MAX6326_R31-T | Max | ZB | SC70 | microproc -ve reset gen 3.080V |
| ACF | MAX6347_R46-T | Max | ZB | SC70 | microproc +ve reset gen 4.630V |
| ACH | MAX6326_R23-T | Max | ZB | SC70 | microproc -ve reset gen 2.320V |
| ACI | MAX6326_R26-T | Max | ZB | SC70 | microproc -ve reset gen 2.630V |
| ACJ | MAX6328_R26-T | Max | ZB | SC70 | microproc -ve reset gen 2.630V |
| ACK | MAX6346_R44-T | Max | ZB | SC70 | microproc -ve reset gen 4.380V |
| ACL | MAX6347_R44-T | Max | ZB | SC70 | microproc +ve reset gen 4.380V |
| ACM | MAX6348_R46-T | Max | ZB | SC70 | microproc -ve reset gen 4.630V |
| ACN | MAX6348_R44-T | Max | ZB | SC70 | microproc -ve reset gen 4.380V |
| ACN | 2SC5661 | Roh | N | VMT3 | nnp HF 18V 50mA 1.5GHz |
| ACN | 2SC4725 | Roh | N | EMT3 | nnp HF 18V 50mA 1.5GHz |
| ACN | 2SC4082 | Roh | N | UMT3 | nnp HF 18V 50mA 1.5GHz |

| | | | | | |
|-----|---------------|-----|----|--------|------------------------------------|
| ACN | 2SC3837K | Roh | N | SMT3 | npn HF 18V 50mA 1.5GHz |
| ACO | MAX6346_R46-T | Max | ZB | SC70 | microproc -ve reset gen 4.630V |
| ACP | MAX6326_R29-T | Max | ZB | SC70 | microproc -ve reset gen 2.930V |
| ACP | 2SC5661 | Roh | N | VMT3 | npn HF 18V 50mA 1.5GHz |
| ACP | 2SC4725 | Roh | N | EMT3 | npn HF 18V 50mA 1.5GHz |
| ACP | 2SC4082 | Roh | N | UMT3 | npn HF 18V 50mA 1.5GHz |
| ACP | 2SC3837K | Roh | N | SMT3 | npn HF 18V 50mA 1.5GHz |
| ACQ | MAX6327_R23-T | Max | ZB | SC70 | microproc +ve reset gen 2.320V |
| ACR | MAX6327_R26-T | Max | ZB | SC70 | microproc +ve reset gen 2.630V |
| ACS | MAX6327_R29-T | Max | ZB | SC70 | microproc +ve reset gen 2.930V |
| ACT | MAX6327_R31-T | Max | ZB | SC70 | microproc +ve reset gen 3.080V |
| ACU | MAX6328_R23-T | Max | ZB | SC70 | microproc -ve reset gen 2.320V |
| ACV | MAX6328_R29-T | Max | ZB | SC70 | microproc -ve reset gen 2.930V |
| ACW | MAX6326_R31-T | Max | ZB | SC70 | microproc -ve reset gen 3.080V |
| AD | BCX51-160 | Sie | P | SOT89 | 45V pnp audio hfe 160 |
| AD | BCX51-16 | Phi | P | SOT89 | 45V pnp audio hfe 160 |
| AD | BCW60D | Phi | N | SOT23 | BCY58-x |
| AD | ZMV832A | Zet | I | SOD323 | varicap hyperabrupt 28V 22pF@2V |
| ADs | BCW60D | Sie | N | SOT23 | BCY58-x |
| ADp | BCW60D | Phi | N | SOT23 | BCY58-x |
| ADt | BCW60D | Ph | N | SOT23 | BCY58-x |
| ADN | 2SC3838K | Roh | N | SMT3 | npn 11V 3.2GHz TV tuners |
| ADN | 2SC4083 | Roh | N | UMT3 | npn 11V 3.2GHz TV tuners |
| ADN | 2SC4726 | Roh | N | EMT3 | npn 11V 3.2GHz TV tuners |
| ADN | 2SC5662 | Roh | N | VMT3 | npn 11V 3.2GHz TV tuners |
| ADN | 2SC3838K | Roh | N | SMT3 | npn 11V 3.2GHz TV tuners |
| ADP | 2SC3838K | Roh | N | SMT3 | npn 11V 3.2GHz TV tuners |
| ADP | 2SC4043S | Roh | N | SPT | npn 11V 3.2GHz TV tuners |

| | | | | | |
|------|----------|-----|---|--------|------------------------------------|
| ADP | 2SC3838K | Roh | N | SMT3 | npn 11V 3.2GHz TV tuners |
| ADP | 2SC4083 | Roh | N | UMT3 | npn 11V 3.2GHz TV tuners |
| ADP | 2SC4726 | Roh | N | EMT3 | npn 11V 3.2GHz TV tuners |
| ADP | 2SC5662 | Roh | N | VMT3 | npn 11V 3.2GHz TV tuners |
| AE | BCX52 | Sie | P | SOT89 | pnp 60V audio comp BCX55 |
| AE | ZMV833A | Zet | I | SOD323 | varicap hyperabrupt 28V 33pF@2V |
| AEN | 2SC3839K | Roh | N | | npn 20V 2.0GHz TV tuners |
| AF | ZMV834A | Zet | I | SOD323 | varicap hyperabrupt 28V 47pF@2V |
| AFs | BCW60FF | Sie | N | SOT23 | BCY58 |
| AG | ZMV835A | Zet | I | SOD323 | varicap hyperabrupt 28V 68pF@2V |
| AG | BCX70G | Phi | N | SOT23 | BCY59-vii BC107 |
| AGs | BCX70G | Sie | N | SOT23 | BCY59-vii BC107 |
| AGp | BCX70G | Phi | N | SOT23 | BCY59-vii BC107 |
| AGt | BCX70G | Phi | N | SOT23 | BCY59-vii BC107 |
| AG | BCX52-10 | Sie | P | SOT89 | 60V pnp BCX52 hfe 100 |
| AH | BCX70H | Phi | N | SOT23 | BCY59-viii BC107B |
| AHs | BCX70H | Sie | N | SOT23 | BCY59-viii BC107B |
| AHp | BCX70H | Phi | N | SOT23 | BCY59-viii BC107B |
| AHt | BCX70H | Phi | N | SOT23 | BCY59-viii BC107B |
| AH | BCP53 | Mot | P | SOT223 | pnp amp 80V 150mA |
| AH | BCX53 | Sie | P | SOT89 | pnp 80V audio comp BCX56 |
| AH | ZMV930 | Zet | I | SOD323 | 2.9-8.3pF hyperabrupt varicap |
| AJ | BCX70J | Phi | N | SOT23 | BCY59-ix BC107 |
| AJ s | BCX70J | Sie | N | SOT23 | BCY59-ix BC107 |
| AJp | BCX70J | Phi | N | SOT23 | BCY59-ix BC107 |
| AJt | BCX70J | Phi | N | SOT23 | BCY59-ix BC107 |
| AJ | ZMV931 | Zet | I | SOD323 | 4 -13.5pF hyperabrupt varicap |
| AK | BCX70K | Phi | N | SOT23 | BCY59-x BC107 |
| AK | ZMV932 | Zet | I | SOD323 | 5.5-17pF hyperabrupt varicap |
| AKs | BCX70K | Sie | N | SOT23 | BCY59-x BC107 |
| AKp | BCX70K | Phi | N | SOT23 | BCY59-x BC107 |
| AKp | BCX70K | Phi | N | SOT23 | BCY59-x BC107 |
| AK | BCX53-10 | Sie | P | SOT89 | pnp 80V BCX53 hfe 100 |

| | | | | | |
|-----|-----------|-----|----|--------|------------------------------|
| AL | BCX53-16 | Sie | P | SOT89 | 80V pnp BCX53 hfe 100 |
| AL | MMBTA55L | Mot | N | SOT23 | pnp 25V (MPSA55) |
| AL | ZMV933 | Zet | I | SOD323 | 12-42pF hyperabrupt varicap |
| ALs | BFP405 | Sie | MQ | SOT343 | |
| AM | MMBT3904W | Mot | N | SOT323 | 2N3904 |
| AM | BCX52-16 | Sie | P | SOT89 | pnp 60V BCX52 hfe 160 |
| AMs | BFP420 | Sie | MQ | SOT343 | nnp fT 25GHz 4.5V 35mA |
| AM | BSS64 | Mot | N | SOT23 | nnp 80V 0.1A fT 60MHz |
| AMs | BSS64 | Sie | N | SOT23 | nnp 80V 0.1A fT 60MHz |
| AMp | BSS64 | Phi | N | SOT23 | nnp 80V 0.1A fT 60MHz |
| AMt | BSS64 | Phi | N | SOT23 | nnp 80V 0.1A fT 60MHz |
| AM | ZMV933A | Zet | I | SOD323 | 12-42pF hyperabrupt varicap |
| AN | BCW60FN | Sie | N | SOT23 | gp npn 35V 0.2A |
| ANs | BFP450 | Sie | MQ | SOT343 | nnp fT 25GHz 4.5V 100mA |
| AN | ZMV934 | Zet | I | SOD323 | 25-95pF hyperabrupt varicap |
| AN | 2SC5659 | Roh | N | VMT3 | nnp HF 25V 50mA 300MHz |
| AN | 2SC4618 | Roh | N | EMT3 | nnp HF 25V 50mA 300MHz |
| AN | 2SC4098 | Roh | N | UMT3 | nnp HF 25V 50mA 300MHz |
| AN | 2SC2413K | Roh | N | SMT3 | nnp HF 25V 50mA 300MHz |
| AO | BCW60AR | ITT | R | SOT23R | BCY58-vii |
| AO | ZMV934A | Zet | I | SOD323 | 25-95pF hyperabrupt varicap |
| AP | BCW60BR | ITT | R | SOT23R | BCY58-viii |
| AP | CMDZ2L4 | CSC | I | SOD323 | zener 250mW Iz 0.5mA 2.4V |
| AP | 2SC5659 | Roh | N | VMT3 | nnp HF 25V 50mA 300MHz |
| AP | 2SC4618 | Roh | N | EMT3 | nnp HF 25V 50mA 300MHz |
| AP | 2SC4098 | Roh | N | UMT3 | nnp HF 25V 50mA 300MHz |
| AP | 2SC2413K | Roh | N | SMT3 | nnp HF 25V 50mA 300MHz |
| AP | 2SC2058S | Roh | N | SPT | nnp HF 25V 50mA 300MHz |
| APs | BFP520 | Sie | MQ | SOT343 | nnp fT 40GHz 2.5V 40mA |
| A-Q | 2PD1820AQ | Phi | N | SOT323 | gp sw amp 50V npn hfe 85-170 |
| AtQ | 2PD1820AQ | Phi | N | SOT323 | gp sw amp 50V npn hfe 85-170 |
| AR | BCW60CR | ITT | R | SOT23R | BCY58-ix |
| AR | MSD709R | Mot | N | | pnp gp 25V |
| AR | CMDZ43L | CSC | I | SOD323 | zener 250mW Iz 0.5mA 43V |
| AR1 | BSR40 | Phi | P | SOT89 | nnp 70V 1A 1.35W hfe 40-120 |

| | | | | | |
|-----|-----------|-----|----|--------|-------------------------------|
| AR2 | BSR41 | Phi | P | SOT89 | npn 70V 1A 1.35W hfe 100-300 |
| AR3 | BSR42 | Phi | P | SOT89 | npn 90V 1A 1.35W hfe 40-120 |
| AR4 | BSR43 | Phi | P | SOT89 | npn 90V 1A 1.35W hfe 100-300 |
| AQ | 2SC5659 | Roh | N | VMT3 | npn HF 25V 50mA 300MHz |
| AQ | 2SC4618 | Roh | N | EMT3 | npn HF 25V 50mA 300MHz |
| AQ | 2SC4098 | Roh | N | UMT3 | npn HF 25V 50mA 300MHz |
| AQ | 2SC2413K | Roh | N | SMT3 | npn HF 25V 50mA 300MHz |
| A-Q | 2PD1820AR | Phi | N | SOT323 | gp sw amp 50V npn hfe 120-240 |
| AtQ | 2PD1820AR | Phi | N | SOT323 | gp sw amp 50V npn hfe 120-240 |
| A-S | 2PD1820AS | Phi | N | SOT323 | gp sw amp 50V npn hfe 170-340 |
| AtS | 2PD1820AS | Phi | N | SOT323 | gp sw amp 50V npn hfe 170-340 |
| AS | BCW60DR | ITT | R | SOT23R | BCY58-x |
| AS | MSD709S | Mot | N | | pnnp gp 25V |
| ASs | BAT18-05 | Sie | B | SOT23 | dual BAT18 RF pin |
| AS1 | BST50 | Mot | P | SOT89 | npn darlington 0.5A 60V |
| AS2 | BST51 | Mot | P | SOT89 | npn darlington 0.5A 80V |
| AS3 | BST52 | Mot | P | SOT89 | npn darlington 0.5A 90V |
| AS3 | BSP52 | Mot | P | SOT223 | npn darlington 0.5A hfe 2000 |
| ATs | BAT18-06 | Sie | A | SOT23 | dual ca BAT18 RF pin |
| ATs | BFP540 | Sie | MQ | SOT343 | npn microwave |
| AUs | BAT18-04 | Sie | D | SOT23 | dual BAT18 RF pin |
| AU | BCW60GR | ITT | R | SOT23R | BCY58 |
| AV | DAN212K | Roh | C | | 80V 100mA sw |
| AW | BCW60HR | ITT | R | SOT23R | BCY58 |
| AX | BCX70JR | ITT | R | SOT23R | BCY59-ix |
| AY | BCX70KR | ITT | R | SOT23R | BCY59-x |
| AY | MMBD1000 | Mot | C | SOT23 | Si sw diode 30V 0.2A |

*Last Updated on 10/07/2006
by GM4PMK*

GM4PMK's SMD Codebook

Codes beginning with 'B'

| Code | Device | Manf | Base | Package | Leaded Equivalent/Data |
|------|------------|------|------|---------|-------------------------|
| B | MRF957 | Mot | N | SOT323 | npn RF ft 9GHz |
| B | BAS16-03W | Sie | I | SOD323 | Varicap 18pF 1V |
| B | BB555 | Sie | I | SCD80 | Varicap 18pF 1V |
| B0 | BZX399C4V3 | Phi | I | SOD323 | 4.3V 0.3W zener |
| B0 | HSMS-2810 | HP | C | SOT23 | HP2810 schottky |
| B0 | HSMS-281B | HP | C | SOT323 | HP2810 schottky |
| B08 | SST6908 | Sil | ZQ | | 2N6908 prot n-ch jfet |
| B09 | SST6909 | Sil | ZQ | | 2N6909 prot n-ch jfet |
| B1 | BZX399C1V8 | Phi | I | SOD323 | 1.8V 0.3W zener |
| B1 | HSMS-2811 | HP | K | SOT23 | HP2811 schottky |
| B1 | BAS40 | Mot | C | SOT23 | schottky sw diode |
| B10 | SST6910 | Sil | ZQ | | 2N6910 prot n-ch jfet |
| B2 | BZX399C2V0 | Phi | I | SOD323 | 2.0V 0.3W zener |
| B2 | BSV52 | Phi | N | SOT23 | BSX20 12V ft 400MHz sw |
| B2p | BSV52 | Phi | N | SOT23 | BSX20 12V ft 400MHz sw |
| B2t | BSV52 | Phi | N | SOT23 | BSX20 12V ft 400MHz sw |
| B2 | HSMS-2812 | HP | D | SOT23 | dual HP2810 schottky |
| B2 | HSMS-281C | HP | D | SOT323 | dual HP2810 schottky |
| B3 | BZX399C2V2 | Phi | I | SOD323 | 2.2V 0.3W zener |
| B3 | HSMS-2813 | HP | A | SOT23 | dual ca HP2810 schottky |
| B3 | MMBD717L | Mot | A | SOT323 | dual ca schottky |
| B4 | BZX399C2V4 | Phi | I | SOD323 | 2.4V 0.3W zener |
| B4 | BSV52R | Phi | R | SOT23R | BSX20 |
| B4 | HSMS-2814 | HP | B | SOT23 | dual cc HP2810 schottky |
| B5 | BZX399C2V7 | Phi | I | SOD323 | 2.7V 0.3W zener |
| B5 | HSMS-2815 | HP | S | SOT143 | dual HP2810 schottky |
| B6 | BZX399C3V0 | Phi | I | SOD323 | 3.0V 0.3W zener |
| B6 | BAT54A | Mot | A | SOT23 | dual ca 30V schottky |

| | | | | | |
|------|------------|------------|----|--------|-----------------------|
| B7 | BZX399C3V3 | Phi | I | SOD323 | 3.3V 0.3W zener |
| B7 | HSMS-2817 | HP | RQ | SOT143 | HP2810 ring quad |
| B8 | BZX399C3V6 | Phi | I | SOD323 | 3.6V 0.3W zener |
| B8 | HSMS-2818 | HP | BQ | SOT143 | HP2810 bridge quad |
| B9 | BZX399C3V9 | Phi | I | SOD323 | 3.9V 0.3W zener |
| B9 | 2SC4617 | Mot | N | SC90 | npn gp |
| B26 | BF570 | Phi | | SOT23 | |
| BA | BCX54 | Sie | P | SOT89 | npn AF 45V comp BCX51 |
| BA | BCW61A | Phi | N | SOT23 | BCY78-vii |
| BAp | BCW61A | Phi | N | SOT23 | BCY78-vii |
| BAAt | BCW61A | Phi | N | SOT23 | BCY78-vii |
| BA | DAN217 | Roh | D | | 80V 100mA dual |
| BA | BZX399C4V7 | Phi | I | SOD323 | 4.7V 0.3W zener |
| BA | 2SB1132 | Roh | P | SC62 | pnnp sw 0.5A 40V |
| BA | 1SS154 | Tosh | C | SC59 | UHF to S-Band mixer |
| BB | BCW61B | Phi | N | SOT23 | BCY78-viii |
| BBs | BCW61B | Sie | N | SOT23 | BCY78-viii |
| BBp | BCW61B | Phi | N | SOT23 | BCY78-viii |
| BBt | BCW61B | Phi | N | SOT23 | BCY78-viii |
| BB | BAR81 | Sie | NQ | SOT143 | Dual pin shunt switch |
| BB | BZX399C5V1 | Phi | I | SOD323 | 5.1V 0.3W zener |
| BBs | BAR81W | Sie | NQ | SOT343 | Dual pin shunt switch |
| BB | 1SV128 | Tosh | C | SC59 | pin attenuator |
| BC | BCW61C | Phi | N | SOT23 | BCY78-ix |
| BCs | BCW61C | Sie | N | SOT23 | BCY78-ix |
| BC | BCX54-10 | Sie Phi | P | SOT89 | npn hfe100 |
| BC | BZX399C5V6 | Phi | I | SOD323 | 5.6V 0.3W zener |
| BCp | BCW61C | Phi | N | SOT23 | BCY78-ix |
| BCt | BCW61C | Phi | N | SOT23 | BCY78-ix |
| BD | BCW61D | Phi | N | SOT23 | BCY78-x |
| BDs | BCW61D | Sie | N | SOT23 | BCY78-x |
| BDp | BCW61D | Phi | N | SOT23 | BCY78-x |
| BDt | BCW61D | Phi | N | SOT23 | BCY78-x |

| | | | | | |
|-----|------------|------------|---|--------|--|
| BD | BCX54-16 | Sie | P | SOT89 | npn hfe160 comp BCX51-16 |
| BD | BZX399C6V2 | Phi | I | SOD323 | 6.2V 0.3W zener |
| BD | ZHCS400 | Zet | C | SOT23 | 40V 0.4A schottky diode |
| BD | 1SS271 | Tosh | D | SC59 | dual series mixer/detector UHF to S-band |
| BE | BAS70 | Mot | C | SOT23 | schottky sw diode |
| BE | BCX55 | Sie | P | SOT89 | npn AF 60V comp BCX52 |
| BE | BZX399C6V8 | Phi | I | SOD323 | 6.8V 0.3W zener |
| BE | 1SV252 | Tosh | D | SC59 | dual series pin diode attenuator |
| BF | BCW61FF | Sie | N | SOT23 | low noise BCW61 |
| BF | BZX399C7V5 | Phi | I | SOD323 | 7.5V 0.3W zener |
| BF | 2SB1132T | | P | SC62 | pnnp sw |
| BF | 1SS268 | Tosh | B | SC59 | dual cc pin sw |
| BF | 1SS312 | Tosh | B | SC70 | dual cc pin sw |
| BF | 1SS364 | Tosh | B | SSM | dual cc pin sw |
| BG | BCX71G | Phi | N | SOT23 | BCY79-vii |
| BGs | BCX71G | Sie | N | SOT23 | BCY79-vii |
| BGp | BCX71G | Phi | N | SOT23 | BCY79-vii |
| BGt | BCX71G | Phi | N | SOT23 | BCY79-vii |
| BG | BCX55-10 | Sie Phi | P | SOT89 | npn hfe 100 |
| BG | BZX399C8V2 | Phi | I | SOD323 | 8.2V 0.3W zener |
| BG | 1SS269 | Tosh | A | SC59 | dual ca pin sw |
| BG | 1SS313 | Tosh | A | SC70 | dual ca pin sw |
| BH | BCX71H | Phi | N | SOT23 | BCY79-viii |
| BHs | BCX71H | Sie | N | SOT23 | BCY79-viii |
| BHp | BCX71H | Phi | N | SOT23 | BCY79-viii |
| BHt | BCX71H | Phi | N | SOT23 | BCY79-viii |
| BH | BCP56 | Mot | P | SOT223 | npn amp 80V 150mA |
| BH | BCX56 | Sie | P | SOT89 | npn AF 80V |
| BH | BZX399C9V1 | Phi | I | SOD323 | 9.1V 0.3W zener i |
| BH | 1SS295 | Tosh | D | SC59 | dual series mixer/detector UHF |
| BJ | BCX71J | Phi | N | SOT23 | BCY79-ix |
| BJs | BCX71J | Sie | N | SOT23 | BCY79-ix |

| | | | | | |
|-----|-----------|-----|----|--------|------------------------------|
| BJp | BCX71J | Phi | N | SOT23 | BCY79-ix |
| BJt | BCX71J | Phi | N | SOT23 | BCY79-ix |
| BJ | BZX399C10 | Phi | I | SOD323 | 10V 0.3W zener |
| BK | BCP56-10 | Mot | P | SOT223 | nnp amp 80V 150mA |
| BK | BCX71K | Phi | N | SOT23 | BCY79 |
| BKs | BCX71K | Sie | N | SOT23 | BCY79 |
| BKp | BCX71K | Phi | N | SOT23 | BCY79 |
| BKt | BCX71K | Phi | N | SOT23 | BCY79 |
| BK | BCX56-10 | Sie | P | SOT89 | nnp hfe 100 |
| BK | BZX399C11 | Phi | I | SOD323 | 11V 0.3W zener |
| BL | MBD54DW | Mot | DL | SOT363 | 2x schottky detector diodes |
| BL | BCP56-16 | Mot | P | SOT223 | nnp amp 80V 150mA |
| BL | BCX56-16 | Sie | P | SOT89 | nnp hfe 160 |
| BL | BZX399C12 | Phi | I | SOD323 | 12V 0.3W zener |
| BL | BGA310 | Sie | GQ | SOT143 | MMIC amp 9dB @1GHz |
| BLs | BGA420 | Sie | HQ | SOT343 | MMIC amp 13 dB @1.8GHz |
| BM | BSS63L | Mot | N | SOT23 | 100v npn comp BSS64 |
| BMp | BSS63 | Phi | N | SOT23 | 100v npn comp BSS64 |
| BMt | BSS63 | Phi | N | SOT23 | 100v npn comp BSS64 |
| BM | BCX55-16 | Sie | P | SOT89 | nnp hfe 160 |
| BM | BGA312 | Sie | GQ | SOT143 | MMIC amp 11dB @1GHz |
| BM | BZX399C13 | Phi | I | SOD323 | 13V 0.3W zener |
| BMs | BG427 | Sie | HQ | SOT343 | MMIC amp 18 dB @1.8GHz |
| BNs | BCW61FN | Sie | N | SOT23 | low noise BCW61 |
| BN | BZX399C15 | Phi | I | SOD323 | 15V 0.3W zener |
| BN | BGA318 | Sie | GQ | SOT143 | MMIC amp 16dB @1GHz |
| BO | BCW61AR | Phi | N | SOT23 | BCX78, BCY78-vii |
| BP | BCW61BR | Phi | N | SOT23 | BCY78-viii |
| BP | BZX399C16 | Phi | I | SOD323 | 16V 0.3W zener |
| BP | CMDZ2L5 | CSC | I | SOD323 | zener 250mW Iz 0.5mA 2.5V |
| BQ | BZX399C18 | Phi | I | SOD323 | 18V 0.3W zener in SOD323 |
| BQ | 2PB709AQ | Phi | N | SC-59 | PNP 45V 0.1A hfe 160-260 |
| BQ | 2SC2412K | Roh | N | SMT3 | nnp gp 50V 0.15A hfe 120-270 |
| BQ | 2SC4081 | Roh | N | UMT3 | see 2SC2412K above |

| | | | | | |
|-----|-----------|-----|---|--------|------------------------------|
| BQ | 2SC4617 | Roh | N | EMT3 | see 2SC2412K above |
| BQ | 2SC5658 | Roh | N | VMT3 | see 2SC2412K above |
| BR | BCW61CR | Phi | N | SOT23 | BCY78-ix |
| BQ | 2SC2412K | Roh | N | SMT3 | nnp gp 50V 0.15A hfe 180-390 |
| BQ | 2SC4081 | Roh | N | UMT3 | see 2SC2412K above |
| BQ | 2SC4617 | Roh | N | EMT3 | see 2SC2412K above |
| BQ | 2SC5658 | Roh | N | VMT3 | see 2SC2412K above |
| BR | MSB1218A | Mot | N | SOT323 | gp pnp 45V |
| BR | BZX399C20 | Phi | I | SOD323 | 20V 0.3W zener |
| BR | 2PB709AR | Phi | N | SC-59 | pnp45V 0.1A hfe 210-340 |
| BR | CMDZ47L | CSC | I | SOD323 | zener 250mW Iz 0.5mA 47V |
| BR1 | BSR30 | Phi | P | SOT89 | pnp 70V 1A 1.35W hfe 40-120 |
| BR2 | BSR31 | Phi | P | SOT89 | pnp 70V 1A 1.35W hfe 100-300 |
| BR4 | BSR33 | Phi | P | SOT89 | pnp 90V 1A 1.35W hfe 100-300 |
| BS | BCW61DR | Phi | R | SOT23 | BCY78-x |
| BS | BZX399C22 | Phi | I | SOD323 | 22V 0.3W zener |
| BS | 2SC2412K | Roh | N | SMT3 | nnp gp 50V 0.15A hfe 270-560 |
| BS | 2SC4081 | Roh | N | UMT3 | see 2SC2412K above |
| BS | 2SC4617 | Roh | N | EMT3 | see 2SC2412K above |
| BS | 2SC5658 | Roh | N | VMT3 | see 2SC2412K above |
| BS | 2PB709AS | Phi | N | SC-59 | pnp 45V 0.1A hfe 290-460 |
| BS1 | BST60 | Mot | P | SOT89 | pnp darlington 0.5A 60V |
| BS2 | BST61 | Mot | P | SOT89 | pnp darlington 0.5A 80V |
| BS3 | BST62 | Mot | P | SOT89 | pnp darlington 0.5A 90V |
| BS3 | BSP62 | Mot | P | SOT89 | pnp darlington 0.5A hfe 2000 |
| BT | BZX399C24 | Phi | I | SOD323 | 24V 0.3W zener |
| BT2 | BSP16 | Mot | P | SOT223 | pnp -300V 1A |
| BT2 | BST16 | Phi | P | SOT89 | pnp -300V 1A |
| BU | BCX71GR | Phi | N | SOT23 | BCX79-vii |
| BU | BZX399C27 | Phi | I | SOD323 | 27V 0.3W zener |
| BV | BZX399C30 | Phi | I | SOD323 | 30V 0.3W zener |
| BW | BCW71HR | Phi | N | SOT23R | BCX79-viii |
| BW | BZX399C33 | Phi | I | SOD323 | 33V 0.3W zener |
| BX | BCW71JR | Phi | N | SOT23R | BCX79-ix |

| | | | | | |
|----|-----------|-----|---|--------|----------------|
| BX | BZX399C36 | Phi | I | SOD323 | 36V 0.3W zener |
| BY | BCW71KR | Phi | N | SOT23R | BCX79-x |
| BY | BZX399C39 | Phi | I | SOD323 | 39V 0.3W zener |
| BZ | BZX399C43 | Phi | I | SOD323 | 43V 0.3W zener |

Last Updated on 10/07/2006
By GM4PMK

GM4PMK's SMD Codebook

Codes beginning with 'C'

| Code | Device | Manf | Base | Package | Leaded Equivalent/Data |
|---------|-----------|------|------|------------|-----------------------------------|
| C | BB565 | Sie | I | SCD80 | uhf varicap 2-20pF |
| C | BB179B | Phi | I | SOD 523 | UHF Varicap 2-11pF |
| C white | BAT165 | Sie | I | | 40V 750mA sw Schottky |
| C | RN262CS | Roh | I | VMN2 | HF pin diode |
| C | KV1832E | Tok | I | URD | uhf varicap 4-17pf |
| C0 | HSMS-2820 | HP | C | SOT23 | HP2835 schottky |
| C0 | HSMS-282B | HP | C | SOT323 | HP2835 schottky |
| C06 | DDX123JU | Dio | DO | SOT363 | dual dtr pnp/npn 50V 0.1A 2k2/47k |
| C06 | DDX123JK | Dio | DO | SOT26 | dual dtr pnp/npn 50V 0.1A 2k2/47k |
| C07 | DDX143TU | Dio | DO | SOT363 | dual dtr pnp/npn 50V 0.1A R1 4k7 |
| C07 | DDX143TK | Dio | DO | SOT26 | dual dtr pnp/npn 50V 0.1A R1 4k7 |
| C1 | HSMS-2821 | HP | K | SOT23 | HP2835 schottky |
| C1 | BCW29 | Phi | N | SOT23 | BC178A |
| C1p | BCW29 | Phi | N | SOT23 | BC178A |
| C1t | BCW29 | Phi | N | SOT23 | BC178A |
| C1 | BFQ51C | Phi | CX | SOT173 | pnp BFR90A complement |
| C2 | BCW30 | Phi | N | SOT23 | BC178B |
| C2p | BCW30 | Phi | N | SOT23 | BC178B |
| C2t | BCW30 | Phi | N | SOT23 | BC178B |
| C2 | BFQ32C | Phi | CX | SOT173 | pnp 4.5GHz 15V 100mA |
| C2 | HSMS-2822 | HP | D | SOT23 | dual HP2835 schottky |
| C2 | HSMS-282C | HP | D | SOT323 | dual HP2835 schottky |
| C2 | SST112 | Tem | F | SOT23 | J112 analog sw n-ch jfet |
| C2 | EDZ5.6B | Roh | I | EMD2 | 150mW zener 5.6V |
| C2 | VDZ5.6B | Roh | I | VMD2 | 150mW zener 5.6V |
| C2A | ZDC833A | Zet | B | SOT23 | dual cc 28V varicap 15pF @2V |
| C3 | HSMS-2823 | HP | A | SOT23 | dual HP2835 schottky |

| | | | | | |
|-----|-----------|-----|----|--------|-----------------------------------|
| C3 | BFQ23C | Phi | CX | SOT173 | pnnp complement BFP91A |
| C3 | SMBT4126 | Sie | N | | 2N4126 |
| C3 | 1SS302 | | B | | dual cc diode |
| C3 | SST113 | Tem | F | SOT23 | J113 analog sw jfet |
| C3T | 1PS226 | Phi | D | SOT346 | dual series 80V high seed diode |
| C4 | BCW29R | Phi | R | SOT23R | BC178A |
| C4 | HSMS-2824 | HP | B | SOT23 | dual HP2835 schottky |
| C5 | MMBA811C5 | Mot | N | | 2N5086 pnp hfe 135-270 |
| C5 | BCW30R | Phi | R | SOT23R | BC178B |
| C5 | HSMS-2825 | HP | S | SOT143 | dual HP2835 schottky |
| C5 | MMSZ5225 | Vis | I | SOD123 | zener 300mW 5% 3.0V |
| C5 | EDZ30B | Roh | I | EMD2 | 150mW zener 30V |
| C5 | VDZ30B | Roh | I | VMD2 | 150mW zener 30V |
| C5A | ZDC834A | Zet | B | SOT23 | dual cc 28V varicap 47pF @2V |
| C6 | MMBA811C6 | Mot | N | | 2N5086 pnp hfe 200-400 |
| C7 | MMBA811C7 | Mot | N | | 2N5086 pnp hfe 300-600 |
| C7 | HSMS-2827 | HP | RQ | SOT143 | HP2835 ring quad |
| C8 | HSMS-2828 | HP | BQ | SOT143 | HP2835 bridge quad |
| C8 | BCF30 | SGS | N | SOT23 | BC559B |
| C8 | MMBA811C8 | Mot | N | | 2N5086 pnp hfe 450-900 |
| C11 | SST111 | Sil | F | SOT23 | J111 n-ch fet |
| C12 | SST112 | Sil | F | SOT23 | J112 n-ch fet |
| C12 | DDX114TU | Dio | DO | SOT363 | dual dtr pnp/npn 50V 0.1A R1 10k |
| C12 | DDX114TK | Dio | DO | SOT26 | dual dtr pnp/npn 50V 0.1A R1 10k |
| C13 | SST113 | Sil | F | SOT23 | J113 n-ch fet |
| C13 | DDX114EU | Dio | DO | SOT363 | dual dtr pnp/npn 50V 0.1A 10k/10k |
| C13 | DDX114EK | Dio | DO | SOT26 | dual dtr pnp/npn 50V 0.1A 10k/10k |
| C14 | DDX114YU | Dio | DO | SOT363 | dual dtr pnp/npn 50V 0.1A 10k/47k |
| C14 | DDX114YK | Dio | DO | SOT26 | dual dtr pnp/npn 50V 0.1A 10k/47k |
| C17 | DDX124EU | Dio | DP | SOT363 | dual dtr pnp/npn 50V 0.1A 22k/22k |
| C17 | DDX124EK | Dio | DP | SOT26 | dual dtr pnp/npn 50V 0.1A 22k/22k |
| C20 | DDX144EU | Dio | DO | SOT363 | dual dtr pnp/npn 50V 0.1A 47k/47k |
| C20 | DDX144EK | Dio | DO | SOT26 | dual dtr pnp/npn 50V 0.1A 47k/47k |
| C38 | SST5638 | Sil | F | SOT23 | 2N5638 |

| | | | | | |
|------|------------|-----|---|--------|---------------------------------|
| C39 | SST5639 | Sil | F | SOT23 | 2N5639 |
| C40 | SST5640 | Sil | F | SOT23 | 2N5640 |
| C41 | SST4091 | Sil | F | SOT23 | 2N4091 |
| C42 | SST4092 | Sil | F | SOT23 | 2N4092 |
| C43 | SST4093 | Sil | F | SOT23 | 2N4093 |
| C48 | CMHD4448TR | Vis | I | SOD123 | 1N4448 sw diode |
| C56 | SST4856 | Sil | F | SOT23 | 2N4856 |
| C57 | SST4857 | Sil | F | SOT23 | 2N4857 |
| C58 | SST4858 | Sil | F | SOT23 | 2N4858 |
| C59 | SST4859 | Sil | F | SOT23 | 2N4859 |
| C60 | SST4860 | Sil | F | SOT23 | 2N4860 |
| C61 | SST4861 | Sil | F | SOT23 | 2N4861 |
| C91 | SST4391 | Sil | F | SOT23 | 2N4391 |
| C92 | SST4392 | Sil | F | SOT23 | 2N4392 |
| C93 | SST4393 | Sil | F | SOT23 | 2N4393 |
| CA | BCW61AR | Phi | R | SOT23R | BCY78-vii |
| CA | BCP68 | Mot | P | SOT223 | 20V 1A npn |
| CA | ZMV829B | Zet | I | SOD323 | varicap hyperab 28V 8.2pF@2V |
| CA | MMSZ4691 | Vis | I | SOD123 | zener 350mW 5% 6.2V |
| CA | MMBZ4691 | Vis | C | SOT23 | zener 350mW 5% 6.2V |
| CB | BCX68-10 | Sie | P | SOT89 | npn AF 20V 2A hfe 100 |
| CB | BCW61BR | Phi | R | SOT23R | BCY78-viii |
| CB | ZMV830B | Zet | I | SOD323 | varicap hyperabrupt 28V 10pF@2V |
| CC | BCW61CR | Phi | R | SOT23R | BCY78-ix |
| CC | BCX68-16 | Sie | P | SOT89 | npn AF 20V 2A hfe 160 |
| CC | ZMV831B | Zet | I | SOD323 | varicap hyperabrupt 28V 15pF@2V |
| CC | ZMDC831B | Zet | B | SOT323 | dual cc ZMV831B (above) |
| CC1 | CMHZ5221B | CSC | I | SOD123 | zener 500mW 5% 2.4V |
| CC2 | CMHZ5222B | CSC | I | SOD123 | zener 500mW 5% 2.5V |
| CC3 | CMHZ5223B | CSC | I | SOD123 | zener 500mW 5% 2.7V |
| CC4 | CMHZ5224B | CSC | I | SOD123 | zener 500mW 5% 2.8V |
| CC5 | CMHZ5225B | CSC | I | SOD123 | zener 500mW 5% 3.0V |
| CC10 | CMPZDC27V | CSC | B | SOT23 | zener dual cc 350mW 27V |
| CC11 | CMPZDC30V | CSC | B | SOT23 | zener dual cc 350mW 30V |

| | | | | | |
|------|-----------|-----|---|--------|---------------------------------|
| CC12 | CMPZDC33V | CSC | B | SOT23 | zener dual cc 350mW 33V |
| CC13 | CMPZDC36V | CSC | B | SOT23 | zener dual cc 350mW 36V |
| CC14 | CMPZDC39V | CSC | B | SOT23 | zener dual cc 350mW 39V |
| CC15 | CMPZDC43V | CSC | B | SOT23 | zener dual cc 350mW 43V |
| CC16 | CMPZDC47V | CSC | B | SOT23 | zener dual cc 350mW 47V |
| CCW3 | CMPZDC2V4 | CSC | B | SOT23 | zener dual cc 350mW 2.4V |
| CCW4 | CMPZDC2V7 | CSC | B | SOT23 | zener dual cc 350mW 2.7V |
| CCW5 | CMPZDC3V0 | CSC | B | SOT23 | zener dual cc 350mW 3.0V |
| CCW6 | CMPZDC3V3 | CSC | B | SOT23 | zener dual cc 350mW 3.3V |
| CCW7 | CMPZDC3V6 | CSC | B | SOT23 | zener dual cc 350mW 3.6V |
| CCW8 | CMPZDC3V9 | CSC | B | SOT23 | zener dual cc 350mW 3.9V |
| CCW9 | CMPZDC4V3 | CSC | B | SOT23 | zener dual cc 350mW 4.3V |
| CCY1 | CMPZDC11V | CSC | B | SOT23 | zener dual cc 350mW 11V |
| CCY2 | CMPZDC12V | CSC | B | SOT23 | zener dual cc 350mW 12V |
| CCY3 | CMPZDC13V | CSC | B | SOT23 | zener dual cc 350mW 13V |
| CCY4 | CMPZDC15V | CSC | B | SOT23 | zener dual cc 350mW 15V |
| CCY5 | CMPZDC16V | CSC | B | SOT23 | zener dual cc 350mW 16V |
| CCY6 | CMPZDC18V | CSC | B | SOT23 | zener dual cc 350mW 18V |
| CCY7 | CMPZDC20V | CSC | B | SOT23 | zener dual cc 350mW 20V |
| CCY8 | CMPZDC22V | CSC | B | SOT23 | zener dual cc 350mW 22V |
| CCY9 | CMPZDC24V | CSC | B | SOT23 | zener dual cc 350mW 24V |
| CCZ1 | CMPZDC4V7 | CSC | B | SOT23 | zener dual cc 350mW 4.7V |
| CCZ2 | CMPZDC5V1 | CSC | B | SOT23 | zener dual cc 350mW 5.1V |
| CCZ3 | CMPZDC5V6 | CSC | B | SOT23 | zener dual cc 350mW 5.6V |
| CCZ4 | CMPZDC6V2 | CSC | B | SOT23 | zener dual cc 350mW 6.2V |
| CCZ5 | CMPZDC6V8 | CSC | B | SOT23 | zener dual cc 350mW 6.8V |
| CCZ6 | CMPZDC7V5 | CSC | B | SOT23 | zener dual cc 350mW 7.5V |
| CCZ7 | CMPZDC8V2 | CSC | B | SOT23 | zener dual cc 350mW 8.2V |
| CCZ8 | CMPZDC9V1 | CSC | B | SOT23 | zener dual cc 350mW 9.1V |
| CCZ9 | CMPZDC10V | CSC | B | SOT23 | zener dual cc 350mW 10V |
| CD | BCW61DR | Phi | R | SOT23R | BCY78-x |
| CD | BCX68-25 | Sie | P | SOT89 | npn AF 20V 2A hfe 250 |
| CD | ZMV832B | Zet | I | SOD323 | varicap hyperabrupt 28V 22pF@2V |
| CD | ZMDC832B | Zet | B | SOT323 | dual cc ZMV832B (above) |

| | | | | | |
|-----|-----------|-----|---|--------|---------------------------------|
| CDs | BSS81B | Sie | N | SOT23 | npn sw 35V 0.8A |
| CD1 | CMHZ5226B | CSC | I | SOD123 | zener 500mW 5% 3.3V |
| CD2 | CMHZ5227B | CSC | I | SOD123 | zener 500mW 5% 3.6V |
| CD3 | CMHZ5228B | CSC | I | SOD123 | zener 500mW 5% 3.9V |
| CD4 | CMHZ5229B | CSC | I | SOD123 | zener 500mW 5% 4.3V |
| CD5 | CMHZ5230B | CSC | I | SOD123 | zener 500mW 5% 4.7V |
| CE | BCP69 | Mot | P | SOT223 | 20V 1A pnp |
| CE | ZMV833B | Zet | I | SOD323 | varicap hyperabrupt 28V 33pF@2V |
| CEs | BSS79B | Sie | N | SOT23 | npn 40V 0.8A hfe 40-120 |
| CE1 | CMHZ5231B | CSC | I | SOD123 | zener 500mW 5% 5.1V |
| CE2 | CMHZ5232B | CSC | I | SOD123 | zener 500mW 5% 5.6V |
| CE3 | CMHZ5233B | CSC | I | SOD123 | zener 500mW 5% 6.0V |
| CE4 | CMHZ5234B | CSC | I | SOD123 | zener 500mW 5% 6.2V |
| CE5 | CMHZ5235B | CSC | I | SOD123 | zener 500mW 5% 6.8V |
| CEC | BC860 | Phi | P | SOT89 | BC369 npn 20V 1A |
| CF | BSS79C | Sie | N | SOT23 | npn 40V 0.8A hfe 100 min |
| CF | BCX69-10 | Sie | P | SOT89 | pnp AF 20V 2A hfe 100 |
| CF | ZMV834B | Zet | I | SOD323 | varicap hyperabrupt 28V 47pF@2V |
| CF | MMSZ4681 | Vis | I | SOD123 | zener 350mW 5% 2.4V |
| CF | MMSZ4681 | Vis | C | SOT23 | zener 350mW 5% 2.4V |
| CF1 | CMHZ5236B | CSC | I | SOD123 | zener 500mW 5% 7.5V |
| CF2 | CMHZ5237B | CSC | I | SOD123 | zener 500mW 5% 8.2V |
| CF3 | CMHZ5238B | CSC | I | SOD123 | zener 500mW 5% 8.7V |
| CF4 | CMHZ5239B | CSC | I | SOD123 | zener 500mW 5% 9.1V |
| CF5 | CMHZ5240B | CSC | I | SOD123 | zener 500mW 5% 10V |
| CG | BCX71GR | Phi | R | SOT23R | BCY79-vii |
| CG | BCX69-16 | Sie | P | SOT89 | pnp AF 20V 2A hfe 160 |
| CG | ZMV835B | Zet | I | SOD323 | varicap hyperabrupt 28V 68pF@2V |
| CGs | BSS81C | Sie | N | SOT23 | npn sw 35V 1A |
| CH | MMSZ4682 | Vis | I | SOD123 | zener 350mW 5% 2.7V |
| CH | MMBZ4682 | Vis | C | SOT23 | zener 350mW 5% 2.7V |
| CHs | BSS80B | Sie | N | SOT23 | pnp 40V 0.8A hfe 40-120 |
| CH | BSS82BL | Mot | N | SOT23 | pnp 60V |
| CH | BCX69-25 | Sie | N | SOT89 | pnp AF 20V 2A hfe 250 |

| | | | | | |
|-----|-----------|-----|---|--------|--------------------------|
| CH1 | CMHZ5241B | CSC | I | SOD123 | zener 500mW 5% 11V |
| CH2 | CMHZ5242B | CSC | I | SOD123 | zener 500mW 5% 12V |
| CH3 | CMHZ5243B | CSC | I | SOD123 | zener 500mW 5% 13V |
| CH4 | CMHZ5244B | CSC | I | SOD123 | zener 500mW 5% 14V |
| CH5 | CMHZ5245B | CSC | I | SOD123 | zener 500mW 5% 15V |
| CJ | MMSZ4683 | Vis | I | SOD123 | zener 350mW 5% 3.0V |
| CJ | MMBZ4683 | Vis | C | SOT23 | zener 350mW 5% 3.0V |
| CJs | BSS80C | Sie | N | SOT23 | pnp 40V 0.8A hfe 100 min |
| CJ1 | CMHZ5246B | CSC | I | SOD123 | zener 500mW 5% 16V |
| CJ2 | CMHZ5247B | CSC | I | SOD123 | zener 500mW 5% 17V |
| CJ3 | CMHZ5248B | CSC | I | SOD123 | zener 500mW 5% 18V |
| CJ4 | CMHZ5249B | CSC | I | SOD123 | zener 500mW 5% 19V |
| CJ5 | CMHZ5250B | CSC | I | SOD123 | zener 500mW 5% 20V |
| CK | BCX71JR | Phi | R | SOT23R | BCY79-viii |
| CK | MMSZ4684 | Vis | I | SOD123 | zener 350mW 5% 3.3V |
| CK | MMBZ4684 | Vis | C | SOT23 | zener 350mW 5% 3.3V |
| CK1 | CMHZ5251B | CSC | I | SOD123 | zener 500mW 5% 22V |
| CK2 | CMHZ5252B | CSC | I | SOD123 | zener 500mW 5% 24V |
| CK3 | CMHZ5253B | CSC | I | SOD123 | zener 500mW 5% 25V |
| CK4 | CMHZ5254B | CSC | I | SOD123 | zener 500mW 5% 27V |
| CK5 | CMHZ5255B | CSC | I | SOD123 | zener 500mW 5% 28V |
| CLs | BSS82B | Sie | N | SOT23 | pnp 60V 0.8A hfe 40-120 |
| CM | MMSZ4685 | Vis | I | SOD123 | zener 350mW 5% 3.6V |
| CM | MMBZ4685 | Vis | C | SOT23 | zener 350mW 5% 3.6V |
| CMs | BSS82C | Sie | N | SOT23 | pnp 60V 0.8A hfe 100 min |
| CM1 | CMHZ5256B | CSC | I | SOD123 | zener 500mW 5% 30V |
| CM2 | CMHZ5257B | CSC | I | SOD123 | zener 500mW 5% 33V |
| CM3 | CMHZ5258B | CSC | I | SOD123 | zener 500mW 5% 36V |
| CM4 | CMHZ5259B | CSC | I | SOD123 | zener 500mW 5% 39V |
| CM5 | CMHZ5260B | CSC | I | SOD123 | zener 500mW 5% 43V |
| CN | MMSZ4686 | Vis | I | SOD123 | zener 350mW 5% 3.9V |
| CN | MMBZ4686 | Vis | C | SOT23 | zener 350mW 5% 3.9V |
| CN1 | CMHZ5261B | CSC | I | SOD123 | zener 500mW 5% 47V |
| CN2 | CMHZ5262B | CSC | I | SOD123 | zener 500mW 5% 51V |

| | | | | | |
|-----|------------|-----|----|--------|---------------------------|
| CN3 | CMHZ5263B | CSC | I | SOD123 | zener 500mW 5% 56V |
| CN4 | CMHZ5264B | CSC | I | SOD123 | zener 500mW 5% 60V |
| CN5 | CMHZ5265B | CSC | I | SOD123 | zener 500mW 5% 62V |
| CO3 | CMHD2003TR | Vis | I | SOD123 | sw |
| CP | MMSZ4687 | Vis | I | SOD123 | zener 350mW 5% 4.3V |
| CP | MMBZ4687 | Vis | C | SOT23 | zener 350mW 5% 4.3V |
| CP | CMDZ2L7 | CSC | I | SOD323 | zener 250mW Iz 0.5mA 2.7V |
| CP1 | CMHZ5266B | CSC | I | SOD123 | zener 500mW 5% 68V |
| CP2 | CMHZ5267B | CSC | I | SOD123 | zener 500mW 5% 75V |
| CP3 | CMHZ5268B | CSC | I | SOD123 | zener 500mW 5% 82V |
| CP4 | CMHZ5269B | CSC | I | SOD123 | zener 500mW 5% 87V |
| CP5 | CMHZ5270B | CSC | I | SOD123 | zener 500mW 5% 91V |
| CQ | 2SC2411K | Roh | N | | npn darlington |
| CQ | MSD710Q | Mot | N | SOT346 | pnv gp 25V 150mA |
| CR | MSD701R | Mot | N | SOT346 | pnv gp 25V 150mA |
| CR1 | CMHZ5271B | CSC | I | SOD123 | zener 500mW 5% 100V |
| CR2 | CMHZ5272B | CSC | I | SOD123 | zener 500mW 5% 110V |
| CR3 | CMHZ5273B | CSC | I | SOD123 | zener 500mW 5% 120V |
| CR4 | CMHZ5274B | CSC | I | SOD123 | zener 500mW 5% 130V |
| CR5 | CMHZ5275B | CSC | I | SOD123 | zener 500mW 5% 140V |
| CS1 | CMHZ5276B | CSC | I | SOD123 | zener 500mW 5% 150V |
| CS2 | CMHZ5277B | CSC | I | SOD123 | zener 500mW 5% 160V |
| CS3 | CMHZ5278B | CSC | I | SOD123 | zener 500mW 5% 170V |
| CS4 | CMHZ5279B | CSC | I | SOD123 | zener 500mW 5% 180V |
| CS5 | CMHZ5280B | CSC | I | SOD123 | zener 500mW 5% 190V |
| CT | MMSZ4688 | Vis | I | SOD123 | zener 350mW 5% 4.7V |
| CT | MMBZ4688 | Vis | C | SOT23 | zener 350mW 5% 4.7V |
| CT1 | CMHZ5281B | CSC | I | SOD123 | zener 500mW 5% 200V |
| CU | MMSZ4689 | Vis | I | SOD123 | zener 350mW 5% 5.1V |
| CU | MMBZ4689 | Vis | CI | SOT23 | zener 350mW 5% 5.1V |
| CV | MMSZ4690 | Vis | I | SOD123 | zener 350mW 5% 5.6V |
| CV | MMBZ4690 | Vis | C | SOT23 | zener 350mW 5% 5.6V |
| CX | MMSZ4692 | Vis | I | SOD123 | zener 350mW 5% 6.8V |
| CX | MMBZ4692 | Vis | C | SOT23 | zener 350mW 5% 6.8V |

| | | | | | |
|----|----------|-----|---|--------|---------------------|
| CY | MMSZ4693 | Vis | I | SOD123 | zener 350mW 5% 7.5V |
| CY | MMBZ4693 | Vis | C | SOT23 | zener 350mW 5% 7.5V |
| CZ | MMSZ4694 | Vis | I | SOD123 | zener 350mW 5% 8.2V |
| CZ | MMBZ4694 | Vis | C | SOT23 | zener 350mW 5% 8.2V |

Last Updated on 10/07/2006
By GM4PMK

GM4PMK's SMD Codebook

Codes beginning with 'D'

| Code | Device | Manf | Base | Package | Leaded Equivalent/Data |
|------|-----------|------|------|---------|-----------------------------|
| D | BB659 | Sie | I | SCD80 | 2-38p varicap |
| D | BAS21-03W | Sie | I | SOD323 | |
| D | 1SS376 | Roh | I | USM | 300V 50mA sw |
| D | MRF577 | Mot | N | SOT323 | npn RF fT 7GHz |
| D0 | HSMP-3800 | HP | C | SOT23 | HP3800 pin atten diode |
| D1 | BCW31 | Phi | N | SOT23 | BC108A |
| D1p | BCW31 | Phi | N | SOT23 | BC108A |
| D1t | BCW31 | Phi | N | SOT23 | BC108A |
| D1 | HSMP-3801 | HP | K | | HP3800 pin atten diode |
| D1 | SST211 | Tem | XQ | | n-ch mosfet 30V 1nS |
| D1 | AZ23C2V7 | Dio | A | SOT23 | dual ca zener 2.7V 0.3W |
| D1 | MMSZ5226 | Vis | I | SOD123 | zener 300mW 5% 3.3V |
| D2 | BCW32 | Phi | N | SOT23 | BC108B |
| D2 | MMSZ5227 | Vis | I | SOD123 | zener 300mW 5% 3.6V |
| D2p | BCW32 | Phi | N | SOT23 | BC108B |
| D2t | BCW32 | Phi | N | SOT23 | BC108B |
| D2 | HSMP-3802 | HP | D | | dual HP3800 pin atten diode |
| D2 | AZ23C3V0 | Dio | A | SOT23 | dual ca zener 3.0V 0.3W |
| D3 | MMSZ5228 | Vis | I | SOD123 | zener 300mW 5% 3.9V |
| D3 | BCW33 | Phi | N | SOT23 | BC108C |
| D3 | AZ23C3V3 | Dio | A | SOT23 | dual ca zener 3.3V 0.3W |
| D3p | BCW33 | Phi | N | SOT23 | BC108C |
| D3t | BCW33 | Phi | N | SOT23 | BC108C |
| D3B | RB420D | Roh | C | | 25V 100mA schottky |
| D3E | RB411D | Roh | C | SOT23 | 20V 500mA schottky |
| D3J | RB420D | Roh | C | | 25V 100mA schottky |
| D3L | RB706D-40 | Roh | B | | dual 45V 30mA schottky |
| D4 | BCW31R | Phi | R | SOT23R | BC108A |

| | | | | | |
|-----|------------|------|----|--------|--------------------------------|
| D4 | HSMP-3804 | HP | B | SOT23 | dual cc HP3800 pin atten diode |
| D4 | AZ23C3V6 | Dio | A | SOT23 | dual ca zener 3.6V 0.3W |
| D4 | MMSZ5229 | Vis | I | SOD123 | zener 300mW 5% 4.3V |
| D5 | SST215 | Tem | XQ | | n-ch mosfet 20V 1nS |
| D5 | BCW32R | Phi | R | SOT23R | BC108B |
| D5 | AZ23C3V9 | Dio | A | SOT23 | dual ca zener 3.9V 0.3W |
| D1 | MMSZ5230 | Vis | I | SOD123 | zener 300mW 5% 4.7V |
| D6 | BCW33R | Phi | R | SOT23R | BC108C |
| D6 | MMBC1622D6 | Mot | N | | MPS3904 hfe 200-400 |
| D6 | AZ23C4V3 | Dio | A | SOT23 | dual ca zener 4.3V 0.3W |
| D7p | BCF32 | Phi | N | SOT23 | |
| D7t | BCF32 | Phi | N | SOT23 | |
| D7 | MMBC1622D7 | Mot | N | | MPS3904 hfe 300-600 |
| D7 | AZ23C4V7 | Dio | A | SOT23 | dual ca zener 4.7V 0.3W |
| D7C | FTZC6.2N | Roh | DZ | SMD5 | quad ESD ca zener 6.82V 0.2W |
| D8 | AZ23C5V1 | Dio | A | SOT23 | dual ca zener 5.1V 0.3W |
| D8p | BCF33 | Phi | N | SOT23 | BC146/03 |
| D9 | AZ23C5V6 | Dio | A | SOT23 | dual ca zener 5.6V 0.3W |
| D9 | 1SS401 | Tosh | C | USC | schottky 20V 0.5A |
| D10 | AZ23C6V2 | Dio | A | SOT23 | dual ca zener 6.2V 0.3W |
| D11 | SST211 | Sil | XQ | | n-ch mosfet sw |
| D11 | AZZ23C6V8 | Dio | A | SOT23 | dual ca zener 6.8V 0.3W |
| D12 | AZZ23C7V5 | Dio | A | SOT23 | dual ca zener 7.5V 0.3W |
| D13 | SST213 | Sil | XQ | | n-ch mosfet sw |
| D13 | AZZ23C8V2 | Dio | A | SOT23 | dual ca zener 8.2V 0.3W |
| D14 | AZZ23C9V1 | Dio | A | SOT23 | dual ca zener 9.1V 0.3W |
| D15 | AZZ23C10 | Dio | A | SOT23 | dual ca zener 10V 0.3W |
| D15 | SST215 | Sil | XQ | | n-ch mosfet sw |
| D16 | AZZ23C11 | Dio | A | SOT23 | dual ca zener 11V 0.3W |
| D17 | AZZ23C12 | Dio | A | SOT23 | dual ca zener 12V 0.3W |
| D18 | AZZ23C13 | Dio | A | SOT23 | dual ca zener 13V 0.3W |
| D19 | AZZ23C15 | Dio | A | SOT23 | dual ca zener 15V 0.3W |
| D20 | AZZ23C16 | Dio | A | SOT23 | dual ca zener 16V 0.3W |
| D21 | AZZ23C18 | Dio | A | SOT23 | dual ca zener 18V 0.3W |

| | | | | | |
|-----|----------|-----|---|--------|--------------------------------|
| D22 | AZZ23C20 | Dio | A | SOT23 | dual ca zener 20V 0.3W |
| D23 | AZZ23C22 | Dio | A | SOT23 | dual ca zener 22V 0.3W |
| D24 | AZZ23C24 | Dio | A | SOT23 | dual ca zener 24V 0.3W |
| D25 | AZZ23C27 | Dio | A | SOT23 | dual ca zener 27V 0.3W |
| D26 | AZZ23C30 | Dio | A | SOT23 | dual ca zener 30V 0.3W |
| D27 | AZZ23C33 | Dio | A | SOT23 | dual ca zener 33V 0.3W |
| D28 | AZZ23C36 | Dio | A | SOT23 | dual ca zener 36V 0.3W |
| D29 | AZZ23C39 | Dio | A | SOT23 | dual ca zener 39V 0.3W |
| D30 | AZZ23C43 | Dio | A | SOT23 | dual ca zener 43V 0.3W |
| D31 | AZZ23C47 | Dio | A | SOT23 | dual ca zener 47V 0.3W |
| D32 | AZZ23C51 | Dio | A | SOT23 | dual ca zener 51V 0.3W |
| D58 | FLLD261 | Zet | B | SOT23 | low leakage dual cc Si diode |
| D63 | FLLD263 | Zet | A | SOT23 | low leakage dual ca Si diode |
| D76 | BAR18J | SGS | I | SOD232 | schottky 70V 15mA |
| D76 | BAR18 | SGS | C | SOT23 | schottky 70V 30mA |
| D85 | BAT17DS | SGS | D | | 2xBA481 |
| D86 | BAT54J | ST | I | SOD232 | schottky 30V 300mA |
| D86 | BAT54 | ST | C | SOT23 | schottky 30V 300mA |
| D87 | BAT54C | ST | B | SOT23 | dual cc schottky 30V 300mA |
| D88 | BAT54S | ST | D | SOT23 | dual series schottky 30V 300mA |
| D94 | BAR42 | SGS | C | SOT23 | schottky 30V 100mA |
| D95 | BAR43 | SGS | C | SOT23 | schottky 30V 100mA |
| D96 | BAS70-04 | SGS | D | SOT23 | 2xBAR18 |
| D97 | BAS70-05 | SGS | B | SOT23 | 2xBAR18 |
| D98 | BAS70-06 | SGS | A | SOT23 | 2xBAR18 |
| DA | BCW67A | SGS | N | SOT23 | pnv 32V 0.8A hfe 100 min |
| DA | BF622 | Sie | P | SOT89 | npn 250V video o/p |
| DA | MMSZ4708 | Vis | I | SOD123 | zener 350mW 5% 22V |
| DA | MMBZ4708 | Vis | C | SOT23 | zener 350mW 5% 22V |
| DA5 | BAR43S | SGS | D | SOT23 | 2xBAR43 |
| DB | BCW67B | SGS | N | SOT23 | pnv 32V 0.8A hfe 160 min |
| DB | BF623 | Sie | P | SOT89 | pnv 250V video o/p |
| DB1 | BAR43A | SGS | A | SOT23 | 2xBAR43 |
| DB2 | BAR43C | SGS | B | SOT23 | 2xBAR43 |

| | | | | | |
|----|----------|-----|----|--------|--------------------------------|
| DC | BCW67C | SGS | N | SOT23 | pnnp 32V 0.8A hfe 250 min |
| DC | BF720 | Mot | P | SOT223 | npn 1.5W 300V |
| DC | BFN20 | Sie | P | SOT89 | npn video o/p 300V comp BFN21 |
| DC | MMSZ4695 | Vis | I | SOD123 | zener 350mW 5% 8.7V |
| DC | MMBZ4695 | Vis | C | SOT23 | zener 350mW 5% 8.7V |
| DD | BFN16 | Sie | P | SOT89 | npn video o/p 250V comp BFN17 |
| DD | MMSZ4696 | Vis | I | SOD123 | zener 350mW 5% 9.1V |
| DD | MMBZ4696 | Vis | C | SOT23 | zener 350mW 5% 9.1V |
| DE | BFN18 | Sie | P | SOT89 | npn video o/p 300V comp BFN19 |
| DE | MMSZ4697 | Vis | I | SOD123 | zener 350mW 5% 10V |
| DE | MMBZ4697 | Vis | C | SOT23 | zener 350mW 5% 10V |
| DF | BCW68F | SGS | N | SOT23 | pnnp 45V 0.8A hfe 100 min |
| DF | BF721 | Mot | P | SOT223 | pnnp 1.5W 300V |
| DF | BFN21 | Sie | P | SOT89 | pnnp 300V video o/p comp BFN20 |
| DF | MMSZ4698 | Vis | I | SOD123 | zener 350mW 5% 11V |
| DF | MMBZ4698 | Vis | C | SOT23 | zener 350mW 5% 11V |
| DG | BCW68G | SGS | N | SOT23 | pnnp 45V 0.8A hfe 160 min |
| DG | BFN17 | Sie | P | SOT89 | pnnp video o/p 250V comp BFN16 |
| DH | BCW68H | SGS | N | SOT23 | pnnp 45V 0.8A hfe 250 min |
| DH | BCW68G | Mot | N | SOT23 | pnnp 45V 0.8A hfe 160 min |
| DH | MMBD2000 | Mot | C | SOT323 | Si sw diode 20V 0.2A SOT323 |
| DH | BFN19 | Sie | P | SOT89 | pnnp video o/p 300V comp BFN18 |
| DH | MMSZ4699 | Vis | I | SOD123 | zener 350mW 5% 12V |
| DH | MMBZ4699 | Vis | C | SOT23 | zener 350mW 5% 12V |
| DJ | MMSZ4700 | Vis | I | SOD123 | zener 350mW 5% 13V |
| DJ | MMBZ4700 | Vis | C | SOT23 | zener 350mW 5% 13V |
| DK | BCX42 | Sie | N | SOT23 | gp audio pnnp 125V comp BCX41 |
| DK | MMSZ4701 | Vis | I | SOD123 | zener 350mW 5% 14V |
| DK | MMBZ4701 | Vis | C | SOT23 | zener 350mW 5% 14V |
| DM | MMSZ4702 | Vis | I | SOD123 | zener 350mW 5% 15V |
| DM | MMBZ4702 | Vis | C | SOT23 | zener 350mW 5% 15V |
| DN | MMSZ4703 | Vis | I | SOD123 | zener 350mW 5% 16V |
| DN | MMBZ4703 | Vis | CI | SOT23 | zener 350mW 5% 16V |
| DP | MMBD2010 | Mot | B | SOT323 | dual cc MMBD2000 |

| | | | | | |
|----|----------|-----|---|--------|---------------------------|
| DP | MMSZ4704 | Vis | I | SOD123 | zener 350mW 5% 17V |
| DP | MMBZ4704 | Vis | C | SOT23 | zener 350mW 5% 17V |
| DP | CMDZ2L8 | CSC | I | SOD323 | zener 250mW Iz 0.5mA 2.8V |
| DQ | 2P710AQ | Phi | N | SOT346 | gp pnp hfe 85-170 |
| DR | 2P710AR | Phi | N | SOT346 | gp pnp hfe 120-240 |
| DS | 2P710AS | Phi | N | SOT346 | gp pnp hfe 170-340 |
| DT | BCW67AR | SGS | R | SOT23R | pnp 32V 0.8A hfe 100 min |
| DT | MMSZ4705 | Vis | I | SOD123 | zener 350mW 5% 18V |
| DT | MMBZ4705 | Vis | C | SOT23 | zener 350mW 5% 18V |
| DU | BCW67BR | SGS | R | SOT23R | pnp 32V 0.8A hfe 160 min |
| DU | MMSZ4706 | Vis | I | SOD123 | zener 350mW 5% 19V |
| DU | MMBZ4706 | Vis | C | SOT23 | zener 350mW 5% 19V |
| DV | MMSZ4707 | Vis | I | SOD123 | zener 350mW 5% 20V |
| DV | MMBZ4707 | Vis | C | SOT23 | zener 350mW 5% 20V |
| DW | BCW67CR | SGS | R | SOT23R | pnp 32V 0.8A hfe 250 min |
| DX | BCW68FR | SGS | R | SOT23R | pnp 45V 0.8A hfe 100 min |
| DY | BCW68GR | SGS | R | SOT23R | pnp 45V 0.8A hfe 160 min |
| DY | MMSZ4710 | Vis | I | SOD123 | zener 350mW 5% 25V |
| DY | MMBZ4710 | Vis | C | SOT23 | zener 350mW 5% 25V |
| DZ | MMSZ4709 | Vis | I | SOD123 | zener 350mW 5% 24V |
| DZ | MMBZ4709 | Vis | C | SOT23 | zener 350mW 5% 24V |
| DZ | BCW68HR | SGS | R | SOT23R | pnp 45V 0.8A hfe 250 min |

Last Updated on 10/07/2006

By GM4PMK

GM4PMK's SMD Codebook

Codes beginning with 'E'

| Code | Device | Manf | Base | Package | Leaded Equivalent/Data |
|------|-----------|------|------|---------|--|
| e | BAT64-02W | Sie | I | SCD80 | |
| E | 1SS780 | Roh | I | USM | 40V 100mA lo leakage |
| E | BB689 | Sie | I | SCD80 | 2-55pF varicap |
| E0 | HSMP-3810 | HP | C | SOT23 | HP3810 pin atten diode |
| E0 | HSMP-381B | HP | C | SOT323 | HP3810 pin atten diode |
| E01 | DTDG14EP | Roh | P | SOT89 | npn dtr 60V 1A R2 10k, + c to b zener |
| E02 | DTDG23YP | Roh | P | SOT89 | npn dtr 60V 1A 2k2+ 10k, + c to b zener |
| E1p | BFS17 | Phi | N | SOT23 | BFY90 BFW92 |
| E1p | BFS17W | Phi | N | SOT323 | BFY90 BFW92 |
| E1 | HSMP-3811 | HP | K | SOT23 | HP3810 pin atten diode |
| E1 | MMSZ5231 | Vis | I | SOD123 | zener 300mW 5% 5.1V |
| E2 | BFS17A | Phi | N | SOT23 | npn RF 3GHz 25mA |
| E2 | BAL99 | Zet | C | | sw diode 75V 100mA |
| E2 | HSMP-3812 | HP | D | SOT23 | dual series HP3810 pin atten diode |
| E2 | MMSZ5232 | Vis | I | SOD123 | zener 300mW 5% 5.6V |
| E2 | EDZ6.2B | Roh | I | EMD2 | 150mW zener 6.2V |
| E2 | VDZ6.2B | Roh | I | VMD2 | 150mW zener 6.2V |
| E3 | BAR99 | Zet | C | | sw diode 75V 100mA |
| E3 | HSMP-3813 | HP | A | SOT23 | dual HP3810 pin atten diode |
| E3 | MMSZ5233 | Vis | I | SOD123 | zener 300mW 5% 6.0V |
| E4 | BFS17R | Phi | R | | BFY90 BFW92 |
| E4 | HSMP-3814 | HP | B | SOT23 | dual cc HP3810 pin atten diode |
| E4 | MMSZ5234 | Vis | I | SOD123 | zener 300mW 5% 6.2V |
| E5 | BFS17AR | Tfk | R | | npn rf 3 GHz 25mA |
| E5 | MMSZ52353 | Vis | I | SOD123 | zener 300mW 5% 6.8V |
| E5 | EDZ33B | Roh | I | EMD2 | 150mW zener 33V |

| | | | | | |
|------|-----------|-----|----|--------|--|
| E5 | VDZ33B | Roh | I | VMD2 | 150mW zener 33V |
| E6 | ZC2800E | Zet | C | | HP2800 |
| E8 | ZC2811E | Zet | C | | HP2811 |
| E9 | ZC5800E | Zet | C | | HP5800 |
| E11 | DTA113ZE | Roh | N | EMT3 | pnp dtr 1k0 + 10k 50V 100mA |
| E11 | DTA113ZKA | Roh | N | SC59 | pnp dtr 1k0 + 10k 50V 100mA |
| E13 | DTA143ZE | Roh | N | EMT3 | pnp dtr 4k7 + 47k 50V 100mA |
| E13 | DTA143ZKA | Roh | N | SC59 | pnp dtr 4k7 + 47k 50V 100mA |
| E23 | DTC143ZCA | Roh | N | SOT23 | npn dtr 4k7 + 47k 50V 100mA |
| E23 | DTC143ZE | Roh | N | EMT3 | npn dtr 4k7 + 47k 50V 100mA |
| E23 | DTC143ZKA | Roh | N | SC59 | npn dtr 4k7 + 47k 50V 100mA |
| E32 | DTA123JE | Roh | N | EMT3 | pnp dtr 2k2 + 47k 50V 100mA |
| E32 | DTA123JKA | Roh | N | SC59 | pnp dtr 2k2 + 47k 50V 100mA |
| E42 | DTC123JE | Roh | N | EMT3 | npn dtr 2k2 + 47k 50V 100mA |
| E42 | DTC123JKA | Roh | N | SC59 | npn dtr 2k2 + 47k 50V 100mA |
| E56 | DTA144VKA | Roh | N | SC59 | pnp dtr 47k + 10k 50V 100mA |
| E66 | DTC144VKA | Roh | N | SC59 | npn dtr 47k + 10k 50V 100mA |
| EA | MMSZ4711 | Vis | I | SOD123 | zener 350mW 5% 27V |
| EA | MMBZ4711 | Vis | IC | SOT23 | zener 350mW 5% 27V |
| EAx | EGF1A | Vis | I | DO214 | rectifier ultrafast 50V 1A xx date code |
| EAs | BCW65A | Sie | N | SOT23 | npn 32V 800mA hfe 100 min |
| EBs | BCW65B | Sie | N | SOT23 | npn 32V 800mA hfe 160 min |
| EB | HSMP-4810 | HP | J | SOT23 | 0.5-3GHz pin 2 cathode connections |
| EB | MSC1022-B | Mot | H | | pnp RF 150MHz fT 20V xx date code |
| EBxx | EGF1B | Vis | I | DO214 | rectifier ultrafast 100V 1A |
| EC | MSC1022-C | Mot | H | | pnp RF 150MHz fT 20V |
| EC | MMSZ4712 | Vis | I | SOD123 | zener 350mW 5% 28V |
| EC | MMBZ4712 | Vis | C | SOT23 | zener 350mW 5% 28V |
| ECxx | EGF1C | Vis | I | DO214 | rectifier ultrafast 150V 1A xx date code |
| ECs | BCW65C | Sie | N | SOT23 | npn 32V 800mA hfe 250 min |
| ED | BCV28 | Sie | P | SOT89 | pnp darlington 30V 0.8A comp BCV29 |
| ED | MMSZ4713 | Vis | I | SOD123 | zener 350mW 5% 30V |

| | | | | | |
|------|---------------|-----|----|--------|--|
| ED | MMBZ4713 | Vis | C | SOT23 | zener 350mW 5% 30V |
| EDxx | EGF1D | Vis | I | DO214 | rectifier ultrafast 200V 1A xx date code |
| EE | BCV48 | Sie | P | SOT89 | pnp darlington 60V 0.8A comp BCV49 |
| EE | MMSZ4714 | Vis | I | SOD123 | zener 350mW 5% 33V |
| EE | MMBZ4714 | Vis | C | SOT23 | zener 350mW 5% 33V |
| EF | BCV29 | Sie | P | SOT89 | nnp darlington 30V 0.8A comp BCV28 |
| EF | BCW66F | Sie | N | SOT23 | nnp 45V 800mA hfe 100 min |
| EF | MMSZ4715 | Vis | I | SOD123 | zener 350mW 5% 36V |
| EF | MMBZ4715 | Vis | C | SOT23 | zener 350mW 5% 36V |
| EG | BCV49 | Sie | P | SOT89 | nnp darlington 60V 0.8A comp BCV48 |
| EGs | BCW66G | Sie | N | SOT23 | nnp 45V 800mA hfe 160 min |
| EHs | BCW66H | Sie | N | SOT23 | nnp 45V 800mA hfe 240 min |
| EH | MMSZ4716 | Vis | I | SOD123 | zener 350mW 5% 39V |
| EH | MMVZ4716 | Vis | C | SOT23 | zener 350mW 5% 39V |
| EHAA | MAX6326_R22-T | Max | ZB | SOT23 | microproc -ve reset gen 2.200V |
| EIAA | MAX6327_R22-T | Max | ZB | SOT23 | microproc +ve reset gen 2.200V |
| EJ | MMSZ4717 | Vis | I | SOD123 | zener 350mW 5% 43V |
| EJ | MMBZ4717 | Vis | C | SOT23 | zener 350mW 5% 43V |
| EJAA | MAX6328_R22-T | Max | ZB | SOT23 | microproc -ve reset gen 2.200V |
| EKs | BCX41 | Sie | N | SOT23 | gp npn 125V 1A comp BCX42 |
| EP | CMDZ3L0 | CSC | I | SOD323 | zener 250mW Iz 0.5mA 3.0V |
| ET | BCW65AR | Sie | R | SOT23R | nnp 32V 800mA hfe 100 min |
| EU | BCW65BR | Sie | R | SOT23R | nnp 32V 800mA hfe 160 min |
| EW | BCW65CR | Sie | R | SOT23R | nnp 32V 800mA hfe 240 min |
| EWAA | MAX6326_R23-T | Max | ZB | SOT23 | microproc -ve reset gen 2.320V |
| EX | BCW65FR | Sie | R | SOT23R | nnp 45V 800mA hfe 100 min |
| EXAA | MAX6326_R24-T | Max | ZB | SOT23 | microproc -ve reset gen 2.400V |

| | | | | | |
|------|---------------|-----|----|--------|--------------------------------|
| EY | BCW65GR | Sie | R | SOT23R | npn 45V 800mA hfe 160 min |
| EYAA | MAX6326_R25-T | Max | ZB | SOT23 | microproc -ve reset gen 2.500V |
| EZ | BCW65HR | Sie | R | SOT23R | npn 45V 800mA hfe 240 min |
| EZAA | MAX6326_R26-T | Max | ZB | SOT23 | microproc -ve reset gen 2.630V |

*Last Updated on 10/07/2006
by GM4PMK*

GM4PMK's SMD Codebook

Codes beginning with 'F'

| Code | Device | Manf | Base | Package | Leaded Equivalent/Data |
|------|------------|------|------|---------|---------------------------------|
| f | BAS20-02W | Sie | I | SCD80 | |
| F | KV1831E | Tok | I | URD | uhf varicap 2.5-22pf |
| F | MRF927 | Mot | N | SOT323 | npn RF fT 8GHz |
| F0 | HSMP-3820 | HP | C | SOT23 | 35V RF pin sw diode |
| F0 | CMOZ5V6 | CSC | I | SOD523 | zener 350mW 5% 5.6V |
| F02 | DTD123TK | Roh | N | SC59 | npn dtr R1 2k2 40V 100mA |
| F03 | DTD143TK | Roh | N | SC59 | npn dtr R1 4k7 40V 100mA |
| F05 | TSDF1205 | Vis | X | SOT143 | fT 12GHz npn RF 4V 12mA |
| F1 | HSMP-3821 | HP | K | SOT23 | 35V RF pin sw diode |
| F1 | BFS18 | Phi | N | SOT23 | BF495 |
| F1 | MMBC1009F1 | Mot | N | | RF npn fT 150MHz hfe30-60 |
| F1 | MMSZ52336 | Vis | I | SOD123 | zener 300mW 5% 7.5V |
| F1 | CMOZ2V4 | CSC | I | SOD523 | zener 350mW 5% 2.4V |
| F1A | CMOZ2V6 | CSC | I | SOD523 | zener 350mW 5% 2.6V |
| F2 | HSMP-3822 | HP | D | SOT23 | dual series HP3820 pin sw diode |
| F2 | BFS19 | SGS | N | SOT23 | BF184 BF494 |
| F2 | MMSZ52337 | Vis | I | SOD123 | zener 300mW 5% 8.2V |
| F2 | CMOZ2V7 | CSC | I | SOD523 | zener 350mW 5% 2.7V |
| F2 | EDZ6.8B | Roh | I | EMD2 | 150mW zener 6.8V |
| F2 | VDZ6.8B | Roh | I | VMD2 | 150mW zener 6.8V |
| F2p | BFS19 | Phi | N | SOT23 | BF184 BF494 |
| F2t | BFS19 | Phi | N | SOT23 | BF184 BF494 |
| F3 | MMBC1009F3 | Mot | N | | RF npn fT150MHz hfe60-120 |
| F3 | MMSZ52338 | Vis | I | SOD123 | zener 300mW 5% 8.7V |
| F3 | CMOZ3V0 | CSC | I | SOD523 | zener 350mW 5% 3.0V |
| F4 | BFS18R | Phi | N | | BF495 |
| F4 | HSMP-3824 | HP | B | SOT23 | dual cc HP3820 pin sw diode |
| F4 | MMSZ52339 | Vis | I | SOD123 | zener 300mW 5% 9.1V |

| | | | | | |
|-----|-----------|------|---|--------|--------------------------------------|
| F4 | CMOZ3V3 | CSC | I | SOD523 | zener 350mW 5% 3.3V |
| F5 | BFS19R | Phi | N | | BF184 BF494 |
| F5 | MMSZ52340 | Vis | I | SOD123 | zener 300mW 5% 10V |
| F5 | EDZ36B | Roh | I | EMD2 | 150mW zener 36V |
| F5 | VDZ36B | Roh | I | VMD2 | 150mW zener 36V |
| F5 | CMOZ3V6 | CSC | I | SOD523 | zener 350mW 5% 3.6V |
| F6 | CMOZ3V9 | CSC | I | SOD523 | zener 350mW 5% 3.9V |
| F7 | CMOZ4V3 | CSC | I | SOD523 | zener 350mW 5% 4.3V |
| F8 | CMOZ4V7 | CSC | I | SOD523 | zener 350mW 5% 4.7V |
| F8p | BF824 | Phi | N | SOT23 | |
| F8t | BF824 | Phi | N | SOT23 | |
| F8t | BF824W | Phi | N | SOT323 | |
| F9 | CMOZ5V1 | CSC | I | SOD523 | zener 350mW 5% 5.1V |
| F9 | 1SS321 | Tosh | B | SC59 | dualcc schottky 10V 50mA low leakage |
| F11 | DTB113EK | Roh | N | SC59 | pnv dtr 1k + 1k 50V 500mA |
| F12 | DTB123EK | Roh | N | SC59 | pnv dtr 2k2 + 2k2 50V 500mA |
| F13 | DTB143EC | Roh | N | SOT23 | pnv dtr 4k7+ 4k7 50V 500mA |
| F13 | DTB143EK | Roh | N | SC59 | pnv dtr 4k7+ 4k7 50V 500mA |
| F14 | DTB114EK | Roh | N | SC59 | pnv dtr 10k + 10k 50V 500mA |
| F20 | TSDF1220 | Vis | X | SOT143 | fT 12GHz npn 6V 20mA |
| F21 | DTD113EK | Roh | N | SC59 | nvn dtr 1k + 1k 50V 500mA |
| F22 | DTD123EK | Roh | N | SC59 | nvn dtr 2k2 + 2k2 50V 500mA |
| F23 | DTD143EC | Roh | N | SOT23 | nvn dtr 4k7 + 4k7 50V 500mA |
| F23 | DTD143EK | Roh | N | SC59 | nvn dtr 4k7 + 4k7 50V 500mA |
| F24 | DTD114EK | Roh | N | SC59 | nvn dtr 10k + 10k 50V 500mA |
| F50 | TSDF1250 | Vis | X | SOT143 | fT 12GHz npn RF 6V 60mA |
| F52 | DTB123YC | Roh | N | SOT23 | pnv dtr 2k2 + 10k 50V 100mA |
| F52 | DTB123YK | Roh | N | SC59 | pnv dtr 2k2 + 10k 50V 100mA |
| F62 | DTD123YK | Roh | N | SC59 | nvn dtr 2k2 + 10k 50V 100mA |
| F92 | DTB123TK | Roh | N | SC59 | pnv dtr R1 2k2 40V 100mA |
| F93 | DTB143TK | Roh | N | SC59 | pnv dtr R1 4k7 40V 100mA |
| F94 | DTB114TK | Roh | N | SC59 | pnv dtr R110k 40V 100mA |
| FA | HSMP-4820 | HP | B | SOT23 | 0.5-3GHz cc pin dual anode |

| | | | | | |
|------|---------------|------|----|--------|---------------------------------------|
| FA | BFQ17 | Phi | P | SOT89 | npn RF 1.5GHz 300mA |
| FA | BFP81 | Sie | X | | BFQ69 |
| FA | BFQ19 | Phi | P | SOT89 | npn RF Ft 5.5GHz 100mA |
| FAAA | MAX6326_R27-T | Max | ZB | SOT23 | microproc -ve reset gen 2.700V |
| FB | BFP17 | Sie | X | | BFW92 |
| FB | EDZC6.8B | Roh | I | EMD2 | 6.8V 150mW zener low c usb surge prot |
| FBAA | MAX6328_R31-T | Max | ZB | SOT23 | microproc -ve reset gen 2.800V |
| FC | BFQ64 | Sie | P | | BFT98T |
| FC | BFP29 | Sie | X | | BFT97 |
| FCAA | MAX6326_R29-T | Max | ZB | SOT23 | microproc -ve reset gen 2.930V |
| FD | BCV26 | SGS | N | SOT23 | pnnp darlington |
| FDp | BCV26 | Phi | N | SOT23 | pnnp darlington |
| FDt | BCV26 | Phi | N | SOT23 | pnnp darlington |
| FD | BFQ17P | Sie | P | SOT89 | BFW16A |
| FD | BFP35A | Sie | X | | BFR34A |
| FDA | MAX6326_R31-T | Max | ZB | SOT23 | microproc -ve reset gen 3.080V |
| FE | BCV46 | SGS | N | SOT23 | pnnp darlington |
| FEp | BCV46 | Phi | N | SOT23 | pnnp darlington |
| FEt | BCV46 | Phi | N | SOT23 | pnnp darlington |
| FES | BFQ19P | Sie | P | SOT89 | BFR96 |
| FE | BFP93A | Sie | X | SOT143 | BFR91A |
| FEAA | MAX6326_R30-T | Max | ZB | SOT23 | microproc -ve reset gen 3.000V |
| FF | BCV27 | SGS | N | SOT23 | npn darlington |
| FF | BBY65-02V | Inf | I | SC79 | hyperabrupt varicap 2.7-30pF |
| FF | JDV3C11 | Tosh | DT | SMINI | 2 x VHF varicap 70pF |
| FFp | BCV27 | Phi | N | SOT23 | npn darlington |
| FFt | BCV27 | Phi | N | SOT23 | npn darlington |
| FFAA | MAX6327_R23-T | Max | ZB | SOT23 | microproc +ve reset gen 2.320V |
| FG | BCV47 | Phi | N | SOT23 | npn darlington |

| | | | | | |
|------|---------------|-----|----|--------|---|
| FGp | BCV47 | Phi | N | SOT23 | npn darlington |
| FGt | BCV47 | Phi | N | SOT23 | npn darlington |
| FG | BFQ19S | Sie | P | SOT89 | BFR96S |
| FGAA | MAX6327_R24-T | Max | ZB | SOT23 | microproc +ve reset gen 2.400V |
| FHs | BFN24 | Sie | N | SOT23 | npn 250V comp to BFN25 |
| FHAA | MAX6327_R25-T | Max | ZB | SOT23 | microproc +ve reset gen 2.500V |
| FIAA | MAX6327_R26-T | Max | ZB | SOT23 | microproc +ve reset gen 2.630V |
| FJ | BFN26 | Sie | N | SOT23 | npn 300V comp to BFN27 |
| FJAA | MAX6327_R27-T | Max | ZB | SOT23 | microproc +ve reset gen 2.700V |
| FK | BFN25 | Sie | N | SOT23 | pnp 250V comp to BFN24 |
| FKAA | MAX6327_R28-T | Max | ZB | SOT23 | microproc +ve reset gen 2.800V |
| FL | BFN27 | Sie | N | SOT23 | pnp 300V comp to BFN26 |
| FLAA | MAX6327_R29-T | Max | ZB | SOT23 | microproc +ve reset gen 2.930V |
| FFMA | MAX6327_R31-T | Max | ZB | SOT23 | microproc +ve reset gen 3.080V |
| FFNA | MAX6327_R30-T | Max | ZB | SOT23 | microproc +ve reset gen 3.000V |
| FOAA | MAX6328_R23-T | Max | ZB | SOT23 | microproc -ve reset gen 2.320V |
| FP | CMDZ3L3 | CSC | I | SOD323 | zener 250mW Iz 0.5mA 3.3V |
| FPAA | MAX6328_R24-T | Max | ZB | SOT23 | microproc -ve reset gen 2.400V |
| FQ | 2SA1037AK | Roh | N | SMT3 | hfe 150@1ma preamp gp pnp hfe 120-270 |
| FQ | 2SA1576A | Roh | N | UMT3 | see 2SA1037 above |
| FQ | 2SA1774 | Roh | N | EMT3 | see 2SA1037 above |
| FQ | 2SA2029 | Roh | N | VMT3 | see 2SA1037 above |
| F-Q | 2PA1576Q | Phi | N | SOT323 | gp pnp SC70 hfe 120-270 equ 2SA1037 above |
| FtQ | 2PA1576Q | Phi | N | SOT323 | gp pnp SC70 hfe 120-270 |

| | | | | | |
|------|---------------|-----|----|--------|---------------------------------------|
| FQAA | MAX6328_R25-T | Max | ZB | SOT23 | microproc -ve reset gen 2.500V |
| FR | 2SA1037AK | Roh | N | | hfe 150@1ma preamp gp pnp hfe 180-390 |
| FR | 2SA1576A | Roh | N | UMT | see 2SA1037K above |
| FR | 2SA1577Q | | N | | see 2SA1037K above |
| FR | 2SA1774 | Roh | N | EM3 | see 2SA1037K above |
| F-R | 2PA1576R | Phi | N | SOT323 | gp pnp hfe 180-390 |
| FtR | 2PA1576R | Phi | N | SOT323 | gp pnp hfe 180-390 |
| FRAA | MAX6328_R26-T | Max | ZB | SOT23 | microproc -ve reset gen 2.630V |
| FS | 2SA1037AK | Roh | N | SMT3 | hfe 150@1ma preamp gp pnp hfe 270-550 |
| FS | 2SA1576A | Roh | N | UMT3 | see 2SA1037 above |
| FS | 2SA1774 | Roh | N | EMT3 | see 2SA1037 above |
| FS | 2SA2029 | Roh | N | VMT3 | see 2SA1037 above |
| F-S | 2PA1576S | Phi | N | SOT323 | gp pnp hfe 270-560 |
| FtS | 2PA1576S | Phi | N | SOT323 | gp pnp hfe 270-560 |
| FSAA | MAX6328_R27-T | Max | ZB | SOT23 | microproc -ve reset gen 2.700V |
| FTAA | MAX6328_R28-T | Max | ZB | SOT23 | microproc -ve reset gen 2.800V |
| FUAA | MAX6328_R29-T | Max | ZB | SOT23 | microproc -ve reset gen 2.930V |
| FVAA | MAX6328_R31-T | Max | ZB | SOT23 | microproc -ve reset gen 3.080V |
| FWAA | MAX6328_R30-T | Max | ZB | SOT23 | microproc -ve reset gen 3.000V |
| FZAP | MAX6012A | Max | ZC | SOT23 | precision reference 1.247V |
| FZAQ | MAX6025A | Max | ZC | SOT23 | precision reference 2.500V |
| FZAR | MAX6041A | Max | ZC | SOT23 | precision reference 4.096V |
| FZAS | MAX6045A | Max | ZC | SOT23 | precision reference 4.500V |
| FZAT | MAX6050A | Max | ZC | SOT23 | precision reference 5.000V |
| FZAU | MAX6021A | Max | ZC | SOT23 | precision reference 2.048V |
| FZAV | MAX6346_R33-T | Max | ZB | SOT23 | micrproc -ve reset gen 3.300V |

| | | | | | |
|------|---------------|-----|----|-------|--------------------------------|
| FZAW | MAX6346_R34-T | Max | ZB | SOT23 | micrproc -ve reset gen 3.400V |
| FZAX | MAX6346_R35-T | Max | ZB | SOT23 | micrproc -ve reset gen 3.500V |
| FZAY | MAX6346_R36-T | Max | ZB | SOT23 | micrproc -ve reset gen 3.600V |
| FZAZ | MAX6346_R37-T | Max | ZB | SOT23 | micrproc -ve reset gen 3.700V |
| FZBA | MAX6346_R38-T | Max | ZB | SOT23 | micrproc -ve reset gen 3.800V |
| FZBB | MAX6346_R39-T | Max | ZB | SOT23 | micrproc -ve reset gen 3.900V |
| FZBC | MAX6346_R40-T | Max | ZB | SOT23 | micrproc -ve reset gen 4.0800V |
| FZBD | MAX6346_R41-T | Max | ZB | SOT23 | micrproc -ve reset gen 4.100V |
| FZBE | MAX6346_R42-T | Max | ZB | SOT23 | micrproc -ve reset gen 4.200V |
| FZBF | MAX6346_R43-T | Max | ZB | SOT23 | micrproc -ve reset gen 4.300V |
| FZBG | MAX6346_R44-T | Max | ZB | SOT23 | micrproc -ve reset gen 4.380V |
| FZBH | MAX6346_R45-T | Max | ZB | SOT23 | micrproc -ve reset gen 4.500V |
| FZBI | MAX6346_R46-T | Max | ZB | SOT23 | micrproc -ve reset gen 4.630V |
| FZBJ | MAX6347_R33-T | Max | ZB | SOT23 | micrproc +ve reset gen 3.300V |
| FZBK | MAX6347_R34-T | Max | ZB | SOT23 | micrproc +ve reset gen 3.400V |
| FZBL | MAX6347_R35-T | Max | ZB | SOT23 | micrproc +ve reset gen 3.500V |
| FZBM | MAX6347_R36-T | Max | ZB | SOT23 | micrproc +ve reset gen 3.600V |
| FZBN | MAX6347_R37-T | Max | ZB | SOT23 | micrproc +-ve reset gen 3.700V |
| FZBO | MAX6347_R38-T | Max | ZB | SOT23 | micrproc +ve reset gen 3.800V |

| | | | | | |
|------|---------------|-----|----|-------|---------------------------------|
| FZBP | MAX6347_R39-T | Max | ZB | SOT23 | microproc +ve reset gen 3.900V |
| FZBQ | MAX6347_R40-T | Max | ZB | SOT23 | microproc +ve reset gen 4.0800V |
| FZBR | MAX6347_R41-T | Max | ZB | SOT23 | microproc +-ve reset gen 4.100V |
| FZBS | MAX6347_R42-T | Max | ZB | SOT23 | microproc +ve reset gen 4.200V |
| FZBT | MAX6347_R43-T | Max | ZB | SOT23 | microproc +ve reset gen 4.300V |
| FZBU | MAX6347_R44-T | Max | ZB | SOT23 | microproc +-ve reset gen 4.380V |
| FZBV | MAX6347_R45-T | Max | ZB | SOT23 | microproc +ve reset gen 4.500V |
| FZBW | MAX6347_R46-T | Max | ZB | SOT23 | microproc +-ve reset gen 4.630V |
| FZBX | MAX6348_R33-T | Max | ZB | SOT23 | microproc -ve reset gen 3.300V |
| FZBY | MAX6348_R34-T | Max | ZB | SOT23 | microproc -ve reset gen 3.400V |
| FZBZ | MAX6348_R35-T | Max | ZB | SOT23 | microproc -ve reset gen 3.500V |
| FZCA | MAX6348_R36-T | Max | ZB | SOT23 | microproc -ve reset gen 3.600V |
| FZCB | MAX6348_R37-T | Max | ZB | SOT23 | microproc -ve reset gen 3.700V |
| FZCC | MAX6348_R38T | Max | ZB | SOT23 | microproc -ve reset gen 3.800V |
| FZCD | MAX6348_R39-T | Max | ZB | SOT23 | microproc -ve reset gen 3.900V |
| FZCE | MAX6348_R40-T | Max | ZB | SOT23 | microproc -ve reset gen 4.000V |
| FZCF | MAX6348_R41-T | Max | ZB | SOT23 | microproc -ve reset gen 4.100V |
| FZCG | MAX6348_R42T | Max | ZB | SOT23 | microproc -ve reset gen 4.200V |
| FZCH | MAX6348_R43-T | Max | ZB | SOT23 | microproc -ve reset gen 4.380V |
| FZCI | MAX6348_R44-T | Max | ZB | SOT23 | microproc -ve reset gen 4.400V |

| | | | | | |
|------|-----------------|-----|----|-------|--------------------------------|
| FZCJ | MAX6348_R45-T | Max | ZB | SOT23 | microproc -ve reset gen 4.500V |
| FZCK | MAX6348_R46-T | Max | ZB | SOT23 | microproc -ve reset gen 4.600V |
| FZCW | MAZ6001UR | Max | ZC | SOT23 | 1.250V V reference |
| FZCX | MAZ6002UR | Max | L | SOT23 | 2.500V V reference |
| FZCY | MAZ6004UR | Max | L | SOT23 | 4.096V V reference |
| FZCZ | MAZ6005UR | Max | L | SOT23 | 5.000V V reference |
| FZDA | MAX6012B | Max | ZC | SOT23 | precision reference 1.247V |
| FZDB | MAX6025B | Max | ZC | SOT23 | precision reference 2.500V |
| FZDC | MAX6041B | Max | ZC | SOT23 | precision reference 4.096V |
| FZDD | MAX6045B | Max | ZC | SOT23 | precision reference 4.500V |
| FZdE | MAX6050B | Max | ZC | SOT23 | precision reference 5.000V |
| FZDF | MAX6021B | Max | ZC | SOT23 | precision reference 2.047V |
| FZDK | MAZ6003UR | Max | L | SOT23 | 3.000V V reference |
| FZDW | MAX6030A | Max | ZC | SOT23 | precision reference 3.000V |
| FZDX | MAX6012B | Max | ZC | SOT23 | precision reference 3.000V |
| FZEB | LM4041AIM3-1.2 | Max | L | SOT23 | 1.225V 0.1% shunt V ref |
| FZEC | LM4041BIM3-1.2 | Max | L | SOT23 | 1.225V 0.2% shunt V ref |
| FZED | LM4041DIM3-1.2 | Max | L | SOT23 | 1.225V 0.5% shunt V ref |
| FZEE | LM4041DIM3-1.2 | Max | L | SOT23 | 1.225V 1.5% shunt V ref |
| FZEF | LM4040A IM3-2.1 | Max | L | SOT23 | 2.048V shunt reference 0.1% |
| FZEG | LM4040B IM3-2.1 | Max | L | SOT23 | 2.048V shunt reference 0.2 % |
| FZEH | LM4040C IM3-2.1 | Max | L | SOT23 | 2.048V shunt reference 0.5% |
| FZEI | LM4040D IM3-2.1 | Max | L | SOT23 | 2.048V shunt reference 1.0% |
| FZEJ | LM4040A IM3-2.5 | Max | L | SOT23 | 2.500V shunt reference 0.1% |
| FZEK | LM4040B IM3-2.5 | Max | L | SOT23 | 2.500V shunt reference 0.2 % |

| | | | | | |
|-------|-----------------|-----|----|-------|-------------------------------|
| FZEL | LM4040C IM3-2.5 | Max | L | SOT23 | 2.500V shunt reference 0.5% |
| FZEM | LM4040D IM3-2.5 | Max | L | SOT23 | 2.500V shunt reference 1.0% |
| FZEN | LM4040A IM3-3.0 | Max | L | SOT23 | 3.000V shunt reference 0.1% |
| FZEO | LM4040B IM3-3.0 | Max | L | SOT23 | 3.000V shunt reference 0.2 % |
| FZEP | LM4040C IM3-3.0 | Max | L | SOT23 | 3.000V shunt reference 0.5% |
| FZEQ | LM4040D IM3-3.0 | Max | L | SOT23 | 3.000V shunt reference 1.0% |
| FZER | LM4040A IM3-4.1 | Max | L | SOT23 | 4.096V shunt reference 0.1% |
| FZES | LM4040B IM3-4.1 | Max | L | SOT23 | 4.096V shunt reference 0.2 % |
| FZET | LM4040C IM3-4.1 | Max | L | SOT23 | 4.096V shunt reference 0.5% |
| FZEU | LM4040DIM3-4.1 | Max | L | SOT23 | 4.096V shunt reference 1.0% |
| FZEV | LM4040A IM3-5.0 | Max | L | SOT23 | 5.000V shunt reference 0.1% |
| FZEW | LM4040B IM3-5.0 | Max | L | SOT23 | 5.000V shunt reference 0.2 % |
| FZEX | LM4040C IM3-5.0 | Max | L | SOT23 | 5.000V shunt reference 0.5% |
| FZEY | LM4040D IM3-5.0 | Max | L | SOT23 | 5.000V shunt reference 1.0% |
| FZ EZ | MAZ803LUR | Max | ZB | SOT23 | microproc -ve reset gen, 5.0V |
| FZFA | MAZ803MUR | Max | ZB | SOT23 | microproc -ve reset gen, 5.0V |
| FZFB | MAZ803TUR | Max | ZB | SOT23 | microproc -ve reset gen, 3.3V |
| FZFC | MAZ803SUR | Max | ZB | SOT23 | microproc -ve reset gen, 3.3V |
| FZFD | MAZ803RUR | Max | ZB | SOT23 | microproc -ve reset gen, 3.0V |
| FZGH | MAZ6006AUR | Max | L | SOT23 | 1.250V 0.2% shunt V reference |
| FZGI | MAZ6006BUR | Max | L | SOT23 | 1.250V 0.5% shunt V reference |
| FZGJ | MAZ6006CUR | Max | L | SOT23 | 1.250V 1.0% shunt V reference |
| FZGK | MAZ6007AUR | Max | L | SOT23 | 2.480V 0.2% shunt V reference |

| | | | | | |
|------|------------|-----|---|-------|-------------------------------|
| FZGL | MAZ6007BUR | Max | L | SOT23 | 2.480V 0.5% shunt V reference |
| FZGM | MAZ6007CUR | Max | L | SOT23 | 2.480V 1.0% shunt V reference |
| FZGN | MAZ6008AUR | Max | L | SOT23 | 2.500V 0.2% shunt V reference |
| FZGO | MAZ6008BUR | Max | L | SOT23 | 2.500V 0.5% shunt V reference |
| FZGP | MAZ6008CUR | Max | L | SOT23 | 2.500V 1.0% shunt V reference |
| FZGQ | MAZ6009AUR | Max | L | SOT23 | 3.000V 0.2% shunt V reference |
| FZGR | MAZ6009BUR | Max | L | SOT23 | 3.000V 0.5% shunt V reference |
| FZGS | MAZ6009CUR | Max | L | SOT23 | 3.000V 1.0% shunt V reference |

Last Updated on 13/06/2006

By GM4PMK

GM4PMK's SMD Codebook

Codes beginning with 'G'

| Code | Device | Manf | Base | Package | Leaded Equivalent/Data |
|------|-----------|------|------|---------|-------------------------------|
| G | BAR63-02W | Sie | I | SCD80 | RF pin to 3GHz |
| G | BAR63-03W | Sie | I | SOD323 | RF pin to 3GHz |
| G | KV1181E | Tok | I | URD | uhf varicap 2-16pF |
| G | MRF947A | Mot | N | SOT323 | npn RF 8GHz |
| G0 | HSMP-3890 | HP | C | SOT23 | HP3890 pin sw diode |
| G0 | HSMP-389B | HP | C | SOT323 | HP3890 pin sw diode |
| G08 | DTD133HKA | Roh | N | SC59 | npn dtr 3k3+10k 50V 500mA |
| G1 | BFS20 | Phi | N | SOT23 | BF199 |
| G1p | BFS20 | Phi | N | SOT23 | BF199 |
| G1 | BFS20 | Phi | N | SOT23 | BF199 |
| G1t | HSMP-3891 | HP | K | SOT23 | HP3890 pin sw diode |
| G1 | MMBT5551 | Mot | N | SOT23 | 2N5551 npn Vce 140V |
| tG1 | PMBT5551 | Phi | N | SOT23 | 2N5551 npn Vce 140V |
| tG1 | PMST5551 | Phi | N | SOT323 | 2N5551 npn Vce 140V |
| G1E | BC847A | Rho | N | SOT23 | BC547A |
| G1F | BC847B | Rho | N | SOT23 | BC547B |
| G1G | BC847C | Rho | N | SOT23 | BC547C |
| G1J | BC848A | Rho | N | SOT23 | BC548A |
| G1K | BC848B | Rho | N | SC70 | BC548B |
| G1K | BC848BW | Rho | N | UMT3 | BC548B |
| G1K | BC848B | Rho | N | SOT23 | BC548B |
| G1L | BC848C | Rho | N | SOT23 | BC548C |
| G2 | HSMP-3892 | HP | D | SOT23 | dual ser HP3890 pin sw diode |
| G2 | CGY50 | Sie | IQ | SOT143 | GaAs MMIC amp |
| G3 | HSMP-3893 | HP | A | SOT23 | dual HP3890 pin sw diode |
| pG3 | PMST5551 | Phi | N | SOT323 | 2N5551 |
| G3 | BAR63 | Sie | C | SOT23 | single 3GHz pin |
| G3C | DTB122JK | Roh | N | SC59 | pnp dtr 220R + 470R 50V 500mA |

| | | | | | |
|-----|-----------|-----|---|--------|-------------------------------|
| G3E | BC857A | Roh | N | SOT23 | BC557A |
| G3F | BC857B | Roh | N | SOT23 | BC557B |
| G3J | BC858A | Roh | N | SOT23 | BC558A |
| G3K | BC858B | Roh | N | SOT23 | BC558B |
| G3K | BC858B | Roh | N | SC70 | BC558B |
| G3K | BC858BW | Roh | N | UMT3 | BC558B |
| G3L | BC858C | Roh | N | SOT23 | BC558C |
| G4 | BFS20R | Phi | N | SOT23 | BF199 |
| G4 | HSMP-3894 | HP | B | SOT23 | dual HP3890 pin sw diode |
| G4 | BAR63-04 | Sie | D | SOT23 | dual series 3GHz pin |
| G4C | DTD122JK | Roh | N | SC59 | npn dtr 220R + 470R 50V 500mA |
| G4s | BAR63-04W | Sie | D | SOT323 | dual series 3GHz pin |
| G5 | HSMP-3895 | HP | S | SOT143 | dual HP3890 pin sw diode |
| G5 | BAR63-05 | Sie | B | SOT23 | dual cc 3GHz pin |
| G5s | BAR63-05W | Sie | B | SOT323 | dual cc 3GHz pin |
| G5B | BC807-25 | Roh | N | SOT23 | BC327-25 |
| G6 | BAR63-06 | Sie | A | SOT23 | dual ca 3GHz pin |
| G6s | BAR63-06W | Sie | A | SOT323 | dual ca 3GHz pin |
| G6A | BC817-16 | Roh | N | | BC337-16 |
| G6B | BC817-25 | Roh | N | SOT23 | BC337-25 |
| G7 | BF579 | Tfk | N | | BF979 pnp uhf fT 1.75GHz |
| G11 | DTB113ZKA | Roh | N | SC59 | pnp dtr 1k0 +10k 50V 500mA |
| G17 | MMBZ4617 | Vis | C | SOT23 | zener 350mW 5% 2.4V |
| G18 | MMBZ4618 | Vis | C | SOT23 | zener 350mW 5% 2.7V |
| G19 | MMBZ4619 | Vis | C | SOT23 | zener 350mW 5% 3.0V |
| G20 | MMBZ4620 | Vis | C | SOT23 | zener 350mW 5% 3.3V |
| G21 | MMBZ4621 | Vis | C | SOT23 | zener 350mW 5% 3.6V |
| G21 | DTD113ZKA | Roh | N | SC59 | npn dtr 1k0 +10k 50V 500mA |
| G22 | MMBZ4622 | Vis | C | SOT23 | zener 350mW 5% 3.9V |
| G23 | MMBZ4623 | Vis | C | SOT23 | zener 350mW 5% 4.3V |
| G24 | MMBZ4624 | Vis | C | SOT23 | zener 350mW 5% 4.7V |
| G25 | MMBZ4625 | Vis | C | SOT23 | zener 350mW 5% 5.1V |
| G26 | MMBZ4626 | Vis | C | SOT23 | zener 350mW 5% 5.6V |
| G27 | MMBZ4627 | Vis | C | SOT23 | zener 350mW 5% 6.2V |

| | | | | | |
|------|-----------|-----|----|-------|--------------------------------|
| G98 | DTB133HKA | Roh | N | SC59 | pnp dtr 3k3+10k 50V 500mA |
| GA | HSMP-4890 | HP | B | SOT23 | 0.5-3GHz dual cc pin limiter |
| GA | BAW78A | Sie | LQ | SOT89 | 50V 1A sw diode |
| GAxx | GF1A | Vis | I | DO214 | rectifier 50V 1A xx date code |
| GAB | BCW60B | Rho | N | SOT23 | BCY58-viii |
| GAC | BCW60C | Rho | N | SOT23 | BCY58-ix |
| GAD | BCW60D | Rho | N | SOT23 | BCY58-x |
| GAH | BCX70H | Rho | N | SOT23 | BCY59-viii BC107B |
| GAJ | BCX70J | Rho | N | SOT23 | BCY59-ix BC107 |
| GAK | BCX70K | Rho | N | SOT23 | BCY59-x BC107 |
| GB | BAW78B | Sie | LQ | SOT89 | 100V 1A sw diode |
| GBxx | GF1B | Vis | I | DO214 | rectifier 100V 1A xx date code |
| GBB | BCW61B | Rho | N | SOT23 | BCY78-viii |
| GBC | BCW61C | Rho | N | SOT23 | BCY78-ix |
| GBG | BCX71G | Rho | N | SOT23 | BCY79-vii |
| GBH | BCX71H | Rho | N | SOT23 | BCY79-viii |
| GBJ | BCX71J | Rho | N | SOT23 | BCY79-ix |
| GC | BAW78C | Sie | LQ | SOT89 | 200V 1A sw diode |
| GC1 | BCW29 | Roh | N | SOT23 | BC178A |
| GC2 | BCW30 | Roh | N | SOT23 | BC178B |
| GD | BAW78D | Sie | LQ | SOT89 | 400V 1A sw diode |
| GDxx | GF1D | Vis | I | DO214 | rectifier 200V 1A xx date code |
| GD1 | BCW31 | Roh | N | SOT23 | BC108C |
| GD2 | BCW32 | Roh | N | SOT23 | BC108B |
| GD3 | BCW33 | Roh | N | SOT23 | BC108A |
| GE | BFR35AP | Sie | N | SOT23 | BFR34A |
| GE | BAW79A | Sie | JQ | SOT89 | dual cc 50V 1A switch diodes |
| GEC | BCW65C | Rho | N | SOT23 | nnp 32V 800mA hfe 250 min |
| GF | BFR92P | Sie | N | SOT23 | BFR90 |
| GF | BAW79B | Sie | JQ | SOT89 | dual cc 100V 1A switch diodes |
| GG | BF579R | Tfk | R | | BF979 pnp uhf ft1.75GHz |
| GG | BFR93P | Sie | N | SOT23 | BFR91A |
| GG | BAW79C | Sie | JQ | SOT89 | dual cc 200V 1A switch diodes |
| GGxx | GF1G | Vis | I | DO214 | rectifier 400V 1A xx date code |

| | | | | | |
|------|----------|-----|----|--------|---------------------------------|
| GH | BAW79D | Sie | JQ | SOT89 | dual cc 400V 1A switch diodes |
| GH1 | BCW69 | Roh | N | SOT23 | BC177A |
| GH2 | BCW70 | Roh | N | SOT23 | BC177B |
| GJxx | GF1J | Vis | I | DO214 | rectifier 600V 1A xx date code |
| GK1 | BCW71 | Roh | N | SOT23 | BC107A |
| GK2 | BCW72 | Roh | N | SOT23 | BC107B ZXT300 |
| GKxx | GF1K | Vis | I | DO214 | rectifier 800V 1A xx date code |
| GLP | MMBT1010 | Mot | N | SOT23 | pnp 15V hfe 300-600 @100mA |
| GLP | MMBT1010 | Mot | N | SOT346 | pnp 15V hfe 300-600 @100mA |
| GMxx | GF1M | Vis | I | DO214 | rectifier 1000V 1A xx date code |
| GMA | BFS17 | Roh | N | SOT23 | BFW92 |
| GP | CMDZ3L6 | CSC | I | SOD323 | zener 250mW Iz 0.5mA 3.6V |
| GT1 | BCX17 | Roh | N | SOT23 | BC327 |
| GT2 | BCX18 | Roh | N | SOT23 | BC328 |
| GU1 | BCX19 | Roh | N | SOT23 | BC337 |
| GU2 | BCX20 | Roh | N | SOT23 | BC338 |

*Last Updated on 10/07/2006
By GM4PMK*

GM4PMK's SMD Codebook

Codes beginning with 'H'

| Code | Device | Manf | Base | Package | Leaded Equivalent/Data |
|------|-----------|------|------|---------|---------------------------------------|
| H | MRF947B | Mot | N | SOT323 | npn RF 8GHz |
| H | BB659C | Sie | I | SCD80 | 2.5-39 pF varicap in |
| H | BBY51-03W | Sie | I | SOD323 | 3-5 pF varicap in |
| H | BB141 | Phi | I | SOD 523 | Low Voltage Varicap |
| H | RN262G | Roh | I | VMD2 | HF pin diode |
| H0 | CMOZ15V | CSC | I | SOD523 | zener 350mW 5% 15V |
| H02 | DTC323TU | Rho | N | SC70 | npn dtr 15V 0.6A, R1 2k2 , for muting |
| H04 | DTC323TU | Rho | N | SC70 | npn dtr 15V 0.6A, R1 10k , for muting |
| H1 | BCW69 | Phi | N | SOT23 | BC177A |
| H1 | MMSZ52341 | Vis | I | SOD123 | zener 300mW 5% 11V |
| H1 | CMOZ6V2 | CSC | I | SOD523 | zener 350mW 5% 6.2V |
| H1p | BCW69 | Phi | N | SOT23 | BC177A |
| H1t | BCW69 | Phi | N | SOT23 | BC177A |
| H2 | BCW70 | Phi | N | SOT23 | BC177B |
| H2 | MMSZ52342 | Vis | I | SOD123 | zener 300mW 5% 12V |
| H2 | CMOZ6V8 | CSC | I | SOD523 | zener 350mW 5% 6.8V |
| H2 | EDZ7.5B | Roh | I | EMD2 | 150mW zener 7.5V |
| H2 | VDZ7.5B | Roh | I | VMD2 | 150mW zener 7.5V |
| H2p | BCW70 | Phi | N | SOT23 | BC177B |
| H2t | BCW70 | Phi | N | SOT23 | BC177B |
| H3 | BCW89 | Phi | N | SOT23 | BC556 |
| H3 | MMSZ52343 | Vis | I | SOD123 | zener 300mW 5% 13V |
| H3 | CMOZ7V5 | CSC | I | SOD523 | zener 350mW 5% 7.5V |
| H3p | BCW89 | Phi | N | SOT23 | BC556 |
| H3t | BCW89 | Phi | N | SOT23 | BC556 |
| H4 | BCW69R | Phi | R | SOT23R | BC177A |

| | | | | | |
|-----|-----------|------|----|--------|---------------------------------------|
| H4 | MMSZ52344 | Vis | I | SOD123 | zener 300mW 5% 14V |
| H4 | CMOZ8V2 | CSC | I | SOD523 | zener 350mW 5% 8.2V |
| H5 | BCW70R | Phi | R | SOT23R | BC177B |
| H5 | MBD770DW | Mot | DL | | Dual UHF schottky diode |
| H5 | MMSZ52345 | Vis | I | SOD123 | zener 300mW 5% 15V |
| H5 | CMOZ9V1 | CSC | I | SOD523 | zener 350mW 5% 9.1V |
| H6 | BCW89R | Phi | R | SOT23R | BC556 |
| H6 | CMOZ10V | CSC | I | SOD523 | zener 350mW 5% 10V |
| H7 | CMOZ11V | CSC | I | SOD523 | zener 350mW 5% 11V |
| H8 | CMOZ12V | CSC | I | SOD523 | zener 350mW 5% 12V |
| H9 | CMOZ13V | CSC | I | SOD523 | zener 350mW 5% 13V |
| H9 | 1SS344 | Tosh | C | SC70 | schottky 20V 0.5A |
| H11 | UMH11TN | Roh | DI | | nnp/pnpdtr pair 10k+10k |
| H16 | SST4416 | Sil | F | | 2N4416 n-ch jfet |
| H27 | DTC323TU | Rho | N | SC70 | nnp dtr 15V 0.6A, R1 6k8 , for muting |
| H31 | BCW89R | Phi | N | SOT23R | BC556 |
| H84 | SST5484 | Sil | F | SOT23 | 2N5484 |
| H85 | SST5485 | Sil | F | SOT23 | 2N5485 |
| H86 | SST5486 | Sil | F | SOT23 | 2N5486 |
| HB | BFN22 | SGS | P | SOT23 | nnp Vce 250V |
| HC | BFN23 | SGS | P | SOT23 | pnp Vce 250V |
| HG | CFY77-08 | Sie | DM | | 20GHz HEMT 0.8dB nf |
| HH | CFY77-10 | Sie | DM | | 20GHz HEMT 1.0 dB nf |
| HH | BBY51-07 | Sie | S | SOT143 | dual varicap like BBY51 |
| HP | CMDZ3L9 | CSC | I | SOD323 | zener 250mW Iz 0.5mA 3.9V |
| HQ | 2SA1036K | Roh | N | | pnp 500mA driver |

Last Updated on 10/07/2006

By GM4PMK

G4PMK's SMD Codebook

Codes beginning with 'I'

be sure to check the '1' (one) table as well

| Code | Device | Manf | Base | Package | Leaded Equivalent/Data |
|------|-----------|------|------|---------|-------------------------|
| I | BBY51-02W | Sie | I | SCD80 | 3-5 pF varicap |
| I | BBY52-03W | Sie | I | SOD323 | 1.25-1.75 pF varicap in |
| I08 | SST108 | Sil | F | SOT23 | J108 n-ch jfet |
| I09 | SST109 | Sil | F | SOT23 | J109 n-ch jfet |
| I10 | SST110 | Sil | F | SOT23 | J110 n-ch jfet |

Last Updated on 15/03/2002

By G4PMK

GM4PMK's SMD Codebook

Codes beginning with 'J'

| Code | Device | Manf | Base | Package | Leaded Equivalent/Data |
|------|-----------|------|------|---------|---------------------------------|
| J | RN141G | Roh | I | VMD2 | HF PIN diode 0.8 pF |
| J0 | HSMS-2840 | HP | C | SOT23 | schottky diode |
| J0 | CMOZ39V | CSC | I | SOD523 | zener 350mW 5% 139V |
| J01 | SO2906R | | N | | 2N2906 |
| J03 | SO2907AR | | R | | 2N2907A |
| J05 | SO2907R | | R | | 2N2907 |
| J1 | HSMS-2841 | HP | K | SOT23 | schottky diode |
| J1 | ZC830 | Zet | C | | ZC820 varicaps |
| J1 | BSS138L | Mot | M | SOT23 | n-ch enh TMOS fet |
| J1 | MMSZ5246 | Vis | I | SOD123 | zener 300mW 5% 16V |
| J1 | CMOZ16V | CSC | I | SOD523 | zener 350mW 5% 16V |
| J1A | ZC830A | Zet | C | SOT23 | varicap hyperabrupt 28V 10pF@2V |
| J1B | ZC830B | Zet | C | SOT23 | varicap hyperabrupt 28V 10pF@2V |
| pJ1 | BSH101 | Phi | M | SOT23 | n-ch 60V 0.7A mosfet |
| pJ2 | BSH102 | Phi | M | SOT23 | n-ch 30V 1A mosfet |
| J2 | ZC833 | Zet | C | SOT23 | ZC823 |
| J2 | MMSZ5247 | Vis | I | SOD123 | zener 300mW 5% 17V |
| J2 | CMOZ18V | CSC | I | SOD523 | zener 350mW 5% 18V |
| J2 | EDZ8.2B | Roh | I | EMD2 | 150mW zener 8.2V |
| J2 | VDZ8.2B | Roh | I | VMD2 | 150mW zener 8.2V |
| J2A | ZC833A | Zet | C | SOT23 | varicap hyperabrupt 28V 33pF@2V |
| J2B | ZC833B | Zet | C | SOT23 | varicap hyperabrupt 28V 33pF@2V |
| pJ3 | BSH103 | Phi | M | SOT23 | n-ch 30V 0.8A mosfet |
| J3 | ZC831 | Zet | C | SOT23 | ZC821 |
| J3 | MMSZ5248 | Vis | I | SOD123 | zener 300mW 5% 18V |
| J3 | CMOZ20V | CSC | I | SOD523 | zener 350mW 5% 20V |
| J3A | ZC831A | Zet | C | SOT23 | varicap hyperabrupt 28V 15pF@2V |
| J3B | ZC831B | Zet | C | SOT23 | varicap hyperabrupt 28V 15pF@2V |

| | | | | | |
|-----|----------|-----|---|--------|----------------------------------|
| J3D | MSB81T1 | Mot | | | vhf pnp fT 0.6GHz |
| J4A | MBV109 | Mot | C | SOT23 | 29pF VHF varicap diode |
| J4 | ZC832 | Zet | C | SOT23 | ZC823 |
| J4 | MMSZ5249 | Vis | I | SOD123 | zener 300mW 5% 19V |
| J4 | CMOZ22V | CSC | I | SOD523 | zener 350mW 5% 22V |
| J4A | ZC832A | Zet | C | SOT23 | varicap hyperabrupt 28V 22pF@2V |
| J4B | ZC832B | Zet | C | SOT23 | varicap hyperabrupt 28V 22pF@2V |
| J5 | ZC834 | Zet | C | SOT23 | ZC824 |
| J5 | MMSZ5250 | Vis | I | SOD123 | zener 300mW 5% 20V |
| J5 | CMOZ16V | CSC | I | SOD523 | zener 350mW 5% 24V |
| J5A | ZC834A | Zet | C | SOT23 | varicap hyperabrupt 28V 47pF@2V |
| J5B | ZC834B | Zet | C | SOT23 | varicap hyperabrupt 28V 47pF@2V |
| J6 | M1MA174 | Mot | C | | gp Si diode 100V |
| J6 | ZC835 | Zet | C | SOT23 | ZC825 |
| J6 | CMOZ27V | CSC | I | SOD523 | zener 350mW 5% 27V |
| J6A | ZC835A | Zet | C | SOT23 | varicap hyperabrupt 28V 68pF@2V |
| J6B | ZC835B | Zet | C | SOT23 | varicap hyperabrupt 28V 68pF@2V |
| J7 | ZC836 | Zet | C | SOT23 | ZC826 |
| J7 | CMOZ30V | CSC | I | SOD523 | zener 350mW 5% 30V |
| J7A | ZC830A | Zet | C | SOT23 | varicap hyperabrupt 28V 100pF@2V |
| J7B | ZC830B | Zet | C | SOT23 | varicap hyperabrupt 28V 100pF@2V |
| J8 | BCX71JR | Phi | R | SOT23R | BCY79-ix |
| J8 | CMOZ33V | CSC | I | SOD523 | zener 350mW 5% 33V |
| J9 | CMOZ36V | CSC | I | SOD523 | zener 350mW 5% 16V |
| J9A | ZC829A | Zet | I | SOT23 | varicap hyperabrupt 28V 8.2pF@2V |
| J9B | ZC829B | Zet | I | SOT23 | varicap hyperabrupt 28V 8.2pF@2V |
| J12 | SO2906AR | | R | | 2N2906A |
| J32 | SO5400R | SGS | R | | 2N5400 |
| J33 | SO5401R | SGS | R | | 2N5401 |
| J39 | SO692R | SGS | | | pnp Vce 300V |
| JA | BAV74 | Zet | B | SOT23 | dual diode cc 50V 0.1A |
| JA | BAV74 | Mot | B | SOT23 | dual sw diodes |
| JBs | BAR74 | Sie | C | SOT23 | fast sw diode 50V 0.25A |
| JCs | BAL74 | Sie | V | SOT23 | fast sw diode 50V 0.25A |

| | | | | | |
|-----------------|---------|-----|----|--------|-------------------------------|
| JFs | BAL99 | Sie | V | SOT23 | fast sw diode 70V 0.25A |
| JG | BAR99 | Sie | E | | fast sw diode 70V 0.25A |
| JKs | BF1009 | Sie | W | SOT143 | biased n-ch dg mosfet 1GHz 9V |
| JLs | BF1009S | Sie | W | SOT143 | biased n-ch dg mosfet 1GHz 9V |
| JL | MRF949 | Mot | N | SOT323 | npn RF fT 9GHz |
| JP | CMDZ4L3 | CSC | I | SOD323 | zener 250mW Iz 0.5mA 4.3V |
| JP _s | BAS19 | Sie | C | SOT23 | 120V 250mA fast sw diode |
| JP _s | BAW101 | Sie | S | SOT143 | pair isolated 300V sw diodes |
| JR _s | BAS20 | Sie | C | SOT23 | 150V 250mA fast sw diode |
| JS _s | BAS21 | Sie | C | SOT143 | 200V 250mA fast sw diode |
| JS | BAW100 | Sie | Y | SOT143 | dual isolated fast sw diodes |
| JT _s | BAS28 | Sie | S | SOT143 | dual isolated fast sw diodes |
| JT _s | BAS28W | Sie | FQ | SOT343 | dual isolated fast sw diodes |
| JV | BAS116 | Sie | C | SOT23 | 250V 75mA Ir 5nA |
| JX | BAV170 | Mot | B | SOT23 | dual cc Si diode low Ir |
| JY | BAV199 | Mot | D | SOT23 | dual series Si diode low Ir |
| JZ | BAW156 | Mot | A | SOT23 | dual ca Si diode low Ir |

Last Updated on 10/07/2006

By GM4PMK

GM4PMK's SMD Codebook

Codes beginning with 'K'

| Code | Device | Manf | Base | Package | Leaded Equivalent/Data |
|------|-----------|------|------|------------|---------------------------|
| K | BAT68-03W | Sie | I | SOD323 | BAT68 Schottky |
| K | BBY52-02W | Sie | I | SCD80 | UHF varicap 1.75-1.25pF |
| K | MRF917 | Mot | N | SOT323 | npn RF ft 6GHz |
| K | BB142 | Phi | I | SOD 523 | Low Voltage Varicap |
| K | RN142G | Roh | I | VMD2 | HF pin diode 0.45pF |
| K | RN142S | Roh | I | EMD2 | HF pin diode 0.45pF |
| K0 | HSMP-3830 | HP | C | SOT23 | gp pin diode HP3830 |
| K1 | HSMP-3831 | HP | K | SOT23 | gp pin diode HP3830 |
| K1p | BCW71 | Phi | N | SOT23 | BC107A |
| K1t | BCW71 | Phi | N | SOT23 | BC107A |
| K1 | BCW71 | Phi | N | SOT23 | BC107A |
| K1 | MMSZ52351 | Vis | I | SOD123 | zener 300mW 5% 22V |
| K1 | CMOZ43V | CSC | I | SOD523 | zener 350mW 5% 43V |
| K2p | BCW72 | Phi | N | SOT23 | BC107B ZXT300 |
| K2t | BCW72 | Phi | N | SOT23 | BC107B ZXT300 |
| K2 | BCW72 | Phi | N | SOT23 | BC107B ZXT300 |
| K2 | HSMP-3832 | HP | D | SOT23 | dual HP3830 pin diode |
| K2 | MMSZ52352 | Vis | I | SOD123 | zener 300mW 5% 24V |
| K3 | HSMP-3833 | HP | A | SOT23 | dual HP3830 pin diode |
| K3 | BCW81 | Phi | N | SOT23 | npn 50V 0.1A 0.2W hfe 420 |
| K3 | BB145C | Phi | I | SOD 523 | Low Voltage Varicap |
| K3 | MMSZ52353 | Vis | I | SOD123 | zener 300mW 5% 25V |
| K3p | BCW81 | Phi | N | SOT23 | npn 50V 0.1A 0.2W hfe 420 |
| K3t | BCW81 | Phi | N | SOT23 | npn 50V 0.1A 0.2W hfe 420 |
| K4 | BCW71R | Phi | R | SOT23R | BC107A |
| K4 | HSMP-3834 | HP | B | SOT23 | dual HP3830 pin diode |
| K4 | MMSZ52354 | Vis | I | SOD123 | zener 300mW 5% 27V |

| | | | | | |
|-------|------------|------|---|--------|----------------------------------|
| K5 | BCW72R | Phi | R | SOT23R | BC107B ZTX300 |
| K5 | MMSZ52355 | Vis | I | SOD123 | zener 300mW 5% 28V |
| K6 | BCV71R | Phi | R | SOT23R | BC546A |
| K7 | BCV71 | Phi | N | SOT23 | BC546A |
| K7p | BCV71 | Phi | N | SOT23 | BC546A |
| K7t | BCV71 | Phi | N | SOT23 | BC546A |
| K8 | BCV72 | Phi | N | SOT23 | BC546B |
| K8p | BCV72 | Phi | N | SOT23 | BC546B |
| K8t | BCV72 | Phi | N | SOT23 | BC546B |
| K9 | BCV72R | Phi | R | SOT23R | BC546B |
| K9 | 1SS348 | Tosh | B | SC59 | schottky 80V 0.1A |
| K14 | DTA114GE | Roh | N | EMT3 | pnp dtr 50V 100mA R2 10k |
| K14 | DTA114GUA | Roh | N | SC70 | pnp dtr 50V 100mA R2 10k |
| K14 | DTA114GKA | Roh | N | SC59 | pnp dtr 50V 100mA R2 10k |
| K15 | DTA124GKA | Roh | N | SC59 | pnp dtr 50V 50mA R2 22k |
| K16 | DTA144GUA | Roh | N | SC70 | npn dtr 50V 100mA R2 47k |
| K16 | DTA144GKA | Roh | N | SC59 | npn dtr 50V 100mA R2 47k |
| K19 | DTA115GUA | Roh | N | SC70 | npn dtr 50V 100mA R2 100k |
| K19 | DTA115GKA | Roh | N | SC59 | npn dtr 50V 100mA R2 100k |
| K24 | DTC114GUA | Roh | N | SC70 | npn dtr 50V 100mA R2 22k |
| K24 | DTC114GKA | Roh | N | SC59 | npn dtr 50V 100mA R2 22k |
| K25 | DTA124GUA | Roh | N | SC70 | pnp dtr 50V 50mA R2 22k |
| K25 | DTA124GKA | Roh | N | SC59 | pnp dtr 50V 50mA R2 22k |
| K26 | DTC144GE | Roh | N | EMT3 | npn dtr 50V 100mA R2 47k |
| K26 | DTC144GUA | Roh | N | SC70 | npn dtr 50V 100mA R2 47k |
| K26 | DTC144GKA | Roh | N | SC59 | npn dtr 50V 100mA R2 47k |
| K29 | DTC115GUA | Roh | N | SC70 | npn dtr 50V 100mA R2 100k |
| K29 | DTC115GKA | Roh | N | SC59 | npn dtr 50V 100mA R2 100k |
| K31 | BCW81R | Phi | R | | npn 50V 0.1A 0.2W hfe 420 |
| KB | MMBT8099L | Mot | N | SOT23 | npn 80V gp |
| KC | BFQ29P | Sie | N | | BFT66 |
| KC1xx | MMBZ5221BT | Dio | C | SOT523 | zener 150mW 2.4V (xx= date code) |
| KC3xx | MMBZ5223BT | Dio | C | SOT523 | zener 150mW 2.7V (xx= date code) |
| KC5xx | MMBZ5225BT | Dio | C | SOT523 | zener 150mW 3.0V (xx= date code) |

| | | | | | |
|-------|------------|-----|---|--------|----------------------------------|
| KD1 | AZ23C2V7 | Dio | A | SOT23 | dual ca zener 2.7V 0.3W |
| KD2 | AZ23C3V0 | Dio | A | SOT23 | dual ca zener 3.0V 0.3W |
| KD3 | AZ23C3V3 | Dio | A | SOT23 | dual ca zener 3.3V 0.3W |
| KD4 | AZ23C3V6 | Dio | A | SOT23 | dual ca zener 3.6V 0.3W |
| KD5 | AZ23C3V9 | Dio | A | SOT23 | dual ca zener 3.9V 0.3W |
| KD6 | AZ23C4V3 | Dio | A | SOT23 | dual ca zener 4.3V 0.3W |
| KD7 | AZ23C4V7 | Dio | A | SOT23 | dual ca zener 4.7V 0.3W |
| KD8 | AZ23C5V1 | Dio | A | SOT23 | dual ca zener 5.1V 0.3W |
| KD9 | AZ23C5V6 | Dio | A | SOT23 | dual ca zener 5.6V 0.3W |
| KD9 | AZZ23C5V6W | Dio | A | SOT323 | dual ca zener 5.6V 0.2W |
| KDA | AZ23C6V2 | Dio | A | SOT23 | dual ca zener 6.2V 0.3W |
| KDB | AZZ23C6V8 | Dio | A | SOT23 | dual ca zener 6.8V 0.3W |
| KDB | AZZ23C6V8W | Dio | A | SOT323 | dual ca zener 6.8V 0.2W |
| KDC | AZZ23C7V5 | Dio | A | SOT23 | dual ca zener 7.5V 0.3W |
| KDD | AZZ23C8V2 | Dio | A | SOT23 | dual ca zener 8.2V 0.3W |
| KDE | AZZ23C9V1 | Dio | A | SOT23 | dual ca zener 9.1V 0.3W |
| KDF | AZZ23C10 | Dio | A | SOT23 | dual ca zener 10V 0.2W |
| KDF | AZZ23C10W | Dio | A | SOT323 | dual ca zener 10V 0.3W |
| KDG | AZZ23C11 | Dio | A | SOT23 | dual ca zener 11V 0.3W |
| KDH | AZZ23C12 | Dio | A | SOT23 | dual ca zener 12V 0.3W |
| KDI | AZZ23C13 | Dio | A | SOT23 | dual ca zener 13V 0.3W |
| KDJ | AZZ23C15 | Dio | A | SOT23 | dual ca zener 15V 0.3W |
| KDK | AZZ23C16 | Dio | A | SOT23 | dual ca zener 16V 0.3W |
| KDL | AZZ23C18 | Dio | A | SOT23 | dual ca zener 18V 0.3W |
| KDL | AZZ2318W | Dio | A | SOT323 | dual ca zener 18V 0.2W |
| KDM | AZZ23C20 | Dio | A | SOT23 | dual ca zener 20V 0.3W |
| KDN | AZZ23C22 | Dio | A | SOT23 | dual ca zener 22V 0.3W |
| KDO | AZZ23C24 | Dio | A | SOT23 | dual ca zener 24V 0.3W |
| KDP | AZZ23C27 | Dio | A | SOT23 | dual ca zener 27V 0.3W |
| KDQ | AZZ23C30 | Dio | A | SOT23 | dual ca zener 30V 0.3W |
| KDR | AZZ23C33 | Dio | A | SOT23 | dual ca zener 33V 0.3W |
| KDS | AZZ23C36 | Dio | A | SOT23 | dual ca zener 36V 0.3W |
| KDT | AZZ23C39 | Dio | A | SOT23 | dual ca zener 39V 0.3W |
| KE1xx | MMBZ5231BT | Dio | C | SOT523 | zener 150mW 5.1V (xx= date code) |

| | | | | | |
|-------|------------|-----|---|--------|----------------------------------|
| KE2xx | MMBZ5232BT | Dio | C | SOT523 | zener 150mW 5.6V (xx= date code) |
| KE4xx | MMBZ5234BT | Dio | C | SOT523 | zener 150mW 6.2V (xx= date code) |
| KE5xx | MMBZ5235BT | Dio | C | SOT523 | zener 150mW 6.8V (xx= date code) |
| KF1xx | MMBZ5236BT | Dio | C | SOT523 | zener 150mW 7.5V (xx= date code) |
| KF2xx | MMBZ5237BT | Dio | C | SOT523 | zener 150mW 8.2V (xx= date code) |
| KF4xx | MMBZ5239BT | Dio | C | SOT523 | zener 150mW 9.1V (xx= date code) |
| KF5xx | MMBZ5240BT | Dio | C | SOT523 | zener 150mW 10V (xx= date code) |
| KG1xx | MMBZ5226BT | Dio | C | SOT523 | zener 150mW 3.3V (xx= date code) |
| KG2xx | MMBZ5227BT | Dio | C | SOT523 | zener 150mW 3.6V (xx= date code) |
| KG3xx | MMBZ5228BT | Dio | C | SOT523 | zener 150mW 3.9V (xx= date code) |
| KG4xx | MMBZ5229BT | Dio | C | SOT523 | zener 150mW 4.3V (xx= date code) |
| KG5xx | MMBZ5230BT | Dio | C | SOT523 | zener 150mW 4.7V (xx= date code) |
| KHxx | MMBZ5241BT | Dio | C | SOT523 | zener 150mW 11V (xx= date code) |
| KH2xx | MMBZ5242BT | Dio | C | SOT523 | zener 150mW 12V (xx= date code) |
| KH3xx | MMBZ5243BT | Dio | C | SOT523 | zener 150mW 13V (xx= date code) |
| KH5xx | MMBZ5245BT | Dio | C | SOT523 | zener 150mW 15V (xx= date code) |
| KJ1xx | MMBZ5246BT | Dio | C | SOT523 | zener 150mW 16V (xx= date code) |
| KJ3xx | MMBZ5248BT | Dio | C | SOT523 | zener 150mW 18V (xx= date code) |
| KJ5xx | MMBZ5250BT | Dio | C | SOT523 | zener 150mW 20V (xx= date code) |
| KK1xx | MMBZ5251BT | Dio | C | SOT523 | zener 150mW 22V (xx= date code) |
| KK2xx | MMBZ5252BT | Dio | C | SOT523 | zener 150mW 24V (xx= date code) |
| KK4xx | MMBZ5254BT | Dio | C | SOT523 | zener 150mW 27V (xx= date code) |
| KK5xx | MMBZ5255BT | Dio | C | SOT523 | zener 150mW 28V (xx= date code) |
| KM | BST80 | Phi | T | | VN10 |
| KM1xx | MMBZ5256BT | Dio | C | SOT523 | zener 150mW 30V (xx= date code) |
| KM2xx | MMBZ5257BT | Dio | C | SOT523 | zener 150mW 33V (xx= date code) |
| KM3xx | MMBZ5258BT | Dio | C | SOT523 | zener 150mW 36V (xx= date code) |
| KM4xx | MMBZ5259BT | Dio | C | SOT523 | zener 150mW 39V (xx= date code) |
| KN | BST84 | Phi | T | | Nch VMOS 200V 0.25A |
| KO | BST86 | Phi | T | | nch VMOS 180V 0.3A |
| KP | CMDZ4L7 | CSC | I | SOD323 | zener 250mW Iz 0.5mA 4.7V |
| KV1 | DZ23C2V7 | Dio | A | SOT23 | dual cc zener 2.7V 0.3W |
| KV2 | DZ23C3V0 | Dio | A | SOT23 | dual cc zener 3.0V 0.3W |
| KV3 | DZ23C3V3 | Dio | A | SOT23 | dual cc zener 3.3V 0.3W |

| | | | | | |
|-----|-----------|-----|---|-------|-------------------------|
| KV4 | DZ23C3V6 | Dio | A | SOT23 | dual cc zener 3.6V 0.3W |
| KV5 | DZ23C3V9 | Dio | A | SOT23 | dual cc zener 3.9V 0.3W |
| KV6 | DZ23C4V3 | Dio | A | SOT23 | dual cc zener 4.3V 0.3W |
| KV7 | DZ23C4V7 | Dio | A | SOT23 | dual cc zener 4.7V 0.3W |
| KV8 | DZ23C5V1 | Dio | A | SOT23 | dual cc zener 5.1V 0.3W |
| KV9 | DZ23C5V6 | Dio | A | SOT23 | dual cc zener 5.6V 0.3W |
| KVA | DZ23C6V2 | Dio | A | SOT23 | dual cc zener 6.2V 0.3W |
| KVB | DZZ23C6V8 | Dio | A | SOT23 | dual cc zener 6.8V 0.3W |
| KVC | DZZ23C7V5 | Dio | A | SOT23 | dual cc zener 7.5V 0.3W |
| KVD | DZZ23C8V2 | Dio | A | SOT23 | dual cc zener 8.2V 0.3W |
| KVE | DZZ23C9V1 | Dio | A | SOT23 | dual cc zener 9.1V 0.3W |
| KVF | DZZ23C10 | Dio | A | SOT23 | dual cc zener 10V 0.2W |
| KVG | DZZ23C11 | Dio | A | SOT23 | dual cc zener 11V 0.3W |
| KVH | DZZ23C12 | Dio | A | SOT23 | dual cc zener 12V 0.3W |
| KVI | DZZ23C13 | Dio | A | SOT23 | dual cc zener 13V 0.3W |
| KVJ | DZZ23C15 | Dio | A | SOT23 | dual cc zener 15V 0.3W |
| KVK | DZZ23C16 | Dio | A | SOT23 | dual cc zener 16V 0.3W |
| KVL | DZZ23C18 | Dio | A | SOT23 | dual cc zener 18V 0.3W |
| KVM | DZZ23C20 | Dio | A | SOT23 | dual cc zener 20V 0.3W |
| KVN | DZZ23C22 | Dio | A | SOT23 | dual cc zener 22V 0.3W |
| KVO | DZZ23C24 | Dio | A | SOT23 | dual cc zener 24V 0.3W |
| KVP | DZZ23C27 | Dio | A | SOT23 | dual cc zener 27V 0.3W |
| KVQ | DZZ23C30 | Dio | A | SOT23 | dual cc zener 30V 0.3W |
| KVR | DZZ23C33 | Dio | A | SOT23 | dual cc zener 33V 0.3W |
| KVS | DZZ23C36 | Dio | A | SOT23 | dual cc zener 36V 0.3W |
| KVT | DZZ23C39 | Dio | A | SOT23 | dual cc zener 39V 0.3W |
| KVU | DZZ23C43 | Dio | A | SOT23 | dual cc zener 43V 0.3W |
| KVV | DZZ23C47 | Dio | A | SOT23 | dual cc zener 47V 0.3W |
| KVW | DZZ23C51 | Dio | A | SOT23 | dual cc zener 51V 0.3W |

Last Updated on 10/07/2006

By GM4PMK

GM4PMK's SMD Codebook

Codes beginning with 'L'

| Code | Device | Manf | Base | Package | Leaded Equivalent/Data |
|------|------------|------|------|---------|---|
| L | BAT62-03W | Sie | I | SOD323 | BAT62 schottky detector |
| L | BBY53-02W | Sie | I | SCD80 | varicap 5.3-2.2 pF |
| L | BB14 | Phi | I | SOD 523 | Low Voltage Varicap |
| L0 | HSMP-386B | HP | C | SOT323 | gp RF pin diode |
| L0 | HSMP-3860 | HP | C | SOT23 | dual series pin diode |
| L0 | BAT721S | Phi | C | SOT23 | dual series 40V 200mA schottky |
| L0p | BAT721S | Phi | C | SOT23 | dual series 40V 200mA schottky |
| L0t | BAT721S | Phi | C | SOT23 | dual series 40V 200mA schottky |
| L0W | BAT721S | Phi | C | SOT23 | dual series 40V 200mA schottky |
| L1 | BSS65 | Zet | N | | pnp 12V 0.1A 400MHz sw |
| L10 | ZLLS1000 | Zet | C | SOT23 | schottky 40V 1.1A low leakage high temp |
| L2 | BB202 | Phi | I | SOD 523 | Low Voltage Varicap |
| L2 | HSMP-3862 | HP | D | SOT23 | dual RF pin diode |
| L2 | BSS69 | Zet | N | | pnp 40V 0.1A 200MHz sw |
| L2 | BAT42W | CSC | I | SOD123 | schottky |
| L2 | EDZ9.1B | Roh | I | EMD2 | 150mW zener 9.1V |
| L2 | VDZ9.1B | Roh | I | VMD2 | 150mW zener 9.1V |
| L3 | BSS70 | Zet | N | | pnp 40V 0.1A 200MHz sw |
| L3 | MMBC1623L3 | Mot | N | | npn 40V gp |
| L3 | HSMP-3863 | HP | A | SOT23 | ca gp RF pin diode |
| L3 | BAT43W | CSC | I | SOD123 | schottky |
| L4 | HSMP-3864 | HP | B | SOT23 | cc gp RF pin diode |
| L4 | BAT54W | Phi | C | SOT323 | BAT85 schottky 30V 0.2A |
| L4 | BAT54W | CSC | I | SOD123 | schottky |
| L4p | BAT54 | Phi | C | SOT23 | BAT85 schottky 30V 0.2A |
| L4t | BAT54 | Phi | C | SOT23 | BAT85 schottky 30V 0.2A |
| L4W | BAT54 | Phi | C | SOT23 | BAT85 schottky 30V 0.2A |

| | | | | | |
|------|------------|------|----|--------|--------------------------------|
| L4Z | BAT54 | Zet | C | SOT23 | BAT85 schottky 30V 0.2A |
| L4 | MMBC1623L4 | Mot | N | | npn 40V gp |
| L5 | BSS65R | Zet | R | | pnnp 12V 0.1A 400MHz sw |
| L5 | MMBC1623L5 | Mot | N | | MPS3904 hfe 135-270 |
| L6 | BAR17 | Sie | C | | pin diode |
| L6 | BSS69R | Zet | N | | pnnp 40V 0.1A 200MHz sw |
| L6 | MMBC1623L6 | Mot | N | | MPS3904 hfe 200-400 |
| L6 | BAT46W | CSC | I | SOD123 | schottky |
| L7p | BAT721 | Phi | C | SOT23 | 40V 200mA schottky |
| L7t | BAT721 | Phi | C | SOT23 | 40V 200mA schottky |
| L8W | BAT721 | Phi | C | SOT23 | e 40V 200mA schottky |
| L7 | BSS70R | Zet | N | | pnnp 40V 0.1A 200MHz sw |
| L7 | MMBC1623L7 | Mot | N | | MPS3904 hfe 300-600 |
| L7 | BAR14-1 | Sie | D | | dual pin 100mA max |
| L7 | BAT17W | CSC | I | SOD123 | schottky |
| L8 | BAT721A | Phi | A | SOT23 | dual ca 40V 200mA schottky |
| L8p | BAT721A | Phi | A | SOT23 | dual ca 40V 200mA schottky |
| L8t | BAT721A | Phi | A | SOT23 | dual ca 40V 200mA schottky |
| L8W | BAT721A | Phi | A | SOT23 | dual ca 40V 200mA schottky |
| L8 | BAR15-1 | Sie | A | | dual pin 100mA max |
| L9 | BAT721C | Phi | B | SOT23 | dual cc 40V 200mA schottky |
| L9p | BAT721C | Phi | B | SOT23 | dual cc 40V 200mA schottky |
| L9t | BAT721C | Phi | B | SOT23 | dual cc 40V 200mA schottky |
| L9W | BAT721C | Phi | AB | SOT23 | dual cc 40V 200mA schottky |
| L9 | BAR16-1 | Sie | B | | dual pin 100mA max |
| L9 | 1SS349 | Tosh | C | SC59 | dual cc schottky 20V 1.0A |
| L14 | DTB114GK | Rho | N | SC59 | pnnp dtr 0.5A, R2 10k |
| L20 | BAS29 | Nat | C | SOT23 | Si diode 120V 50mA |
| L21 | BAS31 | Nat | D | SOT23 | dual BAS29 diodes |
| L22 | BAS35 | Nat | A | SOT23 | dual BAS29 diodes |
| L14 | DTD114GK | Rho | N | SC59 | npn dtr 0.5A, R2 10k |
| L30 | BAV23 | Phi | S | SOT143 | dual 200V 225mA diodes |
| L41 | BAT74 | Phi | S | SOT143 | 2x BAT85 |
| L42p | BAT54A | Phi | A | SOT23 | dual c anode schottky 30V 0.2A |

| | | | | | |
|------|----------|-----|---|--------|-------------------------------------|
| L42t | BAT54A | Phi | A | SOT23 | dual c anode schottky 30V 0.2A |
| L42W | BAT54A | Phi | A | SOT23 | dual c anode schottky 30V 0.2A |
| L43p | BAT54C | Phi | B | SOT23 | dual c cathode schottky 30V 0.2A |
| L43t | BAT54C | Phi | B | SOT23 | dual c cathode schottky 30V 0.2A |
| L43W | BAT54C | Phi | B | SOT23 | dual c cathode schottky 30V 0.2A |
| L44p | BAT54S | Phi | D | SOT23 | dual series schottky 30V 0.2A |
| L44t | BAT54S | Phi | D | SOT23 | dual series schottky 30V 0.2A |
| L44W | BAT54S | Phi | D | SOT23 | dual series schottky 30V 0.2A |
| L51 | BAS56 | Phi | S | SOT143 | dual 60V 200mA ultra fast sw diodes |
| L77 | FMMTL717 | Zet | N | SOT23 | pnv 12V 1.25A hfe 300 |
| L78 | FMMTL718 | Zet | N | SOT23 | pnv 20V 1A hFfe 200 |
| LAp | BF550 | Phi | N | SOT23 | pnv 40V 25mA |
| LB | S525T | Tfk | G | | n-ch vhf mosfet 200MHz |
| LBs | BF999 | Sie | G | SOT23 | n-ch vhf mosfet 300MHz |
| LDs | BF543 | Sie | G | SOT23 | n-ch vhf mosfet 300MHz |
| LEs | BF660 | Sie | N | SOT23 | BF606A pnv vhf osc fT 800MHz |
| LG | 2SC4116 | | N | | npn |
| LGs | BF775A | Sie | N | SOT23 | npn RF fT 5.6GHz for IF amp |
| LHs | BF569 | Sie | N | SOT23 | BF970 pnv RF |
| LKs | BF799 | Sie | N | SOT23 | BF959 |
| LKs | BF799W | Sie | N | SOT323 | BF959 |
| LH | BF569R | Tfk | R | | BF970 pnv RF |
| LM | BST120 | Phi | T | | p-ch DMOSfet 60V 0.3A |
| LN | BST122 | Phi | T | | p-ch DMOSfet 50V 0.25A |
| LKs | BF799 | Sie | N | SOT23 | BF959 |
| LKs | BF799W | Sie | N | SOT323 | BF959 |
| LOs | BF775 | Sie | N | SOT23 | BFQ69 |
| LOs | BF775W | Sie | N | SOT323 | BFQ69 |
| LP | CMDZ5L1 | CSC | I | SOD323 | zener 250mW Iz 0.5mA 5.1V |
| LRs | BF517 | Sie | T | SOT23 | BF763 2.5 GHz |
| LSs | BF770A | Sie | N | SOT23 | npn low noise RF, Ft 6GHz |

Last Updated on 10/07/2006

By GM4PMK

GM4PMK's SMD Codebook

Codes beginning with 'M'

| Code | Device | Manf | Base | Package | Leaded Equivalent/Data |
|--------------|-----------|------|------|---------|---------------------------|
| M (blue) | BAR65-03W | Sie | I | SOD323 | pin diode |
| M (white) | BBY55-03W | Sie | I | SOD323 | 5.4-2.3pF varicap in |
| M | BAR64-02W | Sie | I | SCD80 | pin diode |
| M | BAR65-07 | Sie | S | SOT143 | dual pin diode |
| M01 | BF901 | Phi | W | SOT143 | N-ch dg mosfet |
| M02 | BF901R | Phi | UQ | SOT143 | N-ch dg mosfet |
| M04 | BF904 | Phi | W | SOT143B | N-ch dg mosfet |
| M06 | BF904R | Phi | UQ | SOT143 | N-ch dg mosfet |
| M08 | PMBFJ308 | Phi | F | SOT23 | VHF n-ch JFET J308 |
| M09 | PMBFJ309 | Phi | F | SOT23 | VHF n-ch JFET J309 |
| M1 | BFR30 | Phi | F | SOT23 | BFW11 BF245 |
| M1 | MMSZ5256 | Vis | I | SOD123 | zener 300mW 5% 30V |
| M1B | MMBT2222L | Mot | N | SOT23 | 2N2222 |
| M1E | MMBTA43L | Mot | N | SOT23 | MPSA43 200V Vce npn |
| M1F | MMBT5550L | Mot | N | SOT23 | 2N5550 npn 140V |
| M1J | MMBT2369L | Mot | N | SOT23 | 2N2369A |
| M2 | BFR31 | Phi | F | SOT23 | BFW12 BF245 |
| M2 | MMSZ5257 | Vis | I | SOD123 | zener 300mW 5% 33V |
| M2B | MMBT2907L | Mot | N | SOT23 | 2N2907 pnp gp |
| M2C | MMBTA70L | Mot | N | SOT23 | gp pnp MPSA70 |
| M3 | BFT46 | Phi | F | SOT23 | n-ch fet gp low level amp |
| M3 | MMBA812M3 | Mot | N | | 2N5086 hfe 60-120 pnp |
| M3 | MMSZ5258 | Vis | I | SOD123 | zener 300mW 5% 36V |
| M3A | MMBTH24L | Mot | N | SOT23 | nnp VHF amp 400MHz fT 30V |
| M3B | MMBT918L | Mot | N | SOT23 | 2N918 UHF amp |
| M3J | MMBTH69L | Mot | N | SOT23 | pnp VHF amp 2GHz fT 15V |

| | | | | | |
|-----|-----------|-----|----|--------|---------------------------|
| M4 | BSR56 | Phi | F | | 2N4856 n-ch fet |
| M4 | MBD110DW | Mot | DL | SOT363 | dual UHF schottky |
| M4 | MMSZ5259 | Vis | I | SOD123 | zener 300mW 5% 39V |
| M4A | MMBV109 | Mot | C | SOT323 | Hyperabrupt varicap |
| M4B | MMBV432 | Mot | B | SOT23 | dual cc varicap 45pF/2V |
| M4C | MMBV3102 | Mot | C | SOT23 | Hyperabrupt varicap |
| M4E | MMBV105G | Mot | C | SOT23 | Hyperabrupt varicap |
| M4F | MMBD353 | Mot | D | SOT23 | dual MBD101 in series |
| M4G | MMBV2101 | Mot | C | SOT23 | varicap 6.8pF MV2101 |
| M5 | BSR57 | Phi | F | | 2N5457 n-ch fet |
| M5 | MMBA812M5 | Mot | N | | 2N5086 hfe 135-270 pnp |
| M5 | MMSZ5260 | Vis | I | SOD123 | zener 300mW 5% 43V |
| M5C | MMBD7000 | Mot | D | SOT23 | 100V 2x series sw diodes |
| M5 | MMBD352W | Mot | Z | SOT323 | 2x MBD101 in series |
| M6 | BSR58 | Phi | F | SOT23 | 2N4858 n-ch fet |
| M6 | MMBA812M6 | Mot | N | | 2N5086 hfe 200-400 pnp |
| M6 | BSS66 | Zet | N | | nnp 40V 0.1A sw fT 250MHz |
| M6A | MMBF4416 | Mot | F | SOT23 | 2N4416 n-ch rf jfet |
| M6B | MMBF5484 | Mot | F | SOT23 | 2N5484 n-ch rf jfet |
| M6C | MMBFU310 | Mot | F | SOT23 | U310 n-ch rf jfet |
| M6E | MMBF5460 | Mot | F | SOT23 | 2N5460 n-ch rf jfet |
| M6H | MMBD354 | Mot | A | SOT23 | dual MBD101 cc |
| M7 | BSS67 | Zet | N | | nnp 40V 0.1A sw fT 300MHz |
| M7 | MMBA812M7 | Mot | N | | 2N5086 hfe 300-600 pnp |
| M8 | BSS66R | Zet | R | | nnp 40V 0.1A sw fT 250MHz |
| M8 | BSH103 | Phi | M | SOT23 | n-ch 50V 0.11A mosfet |
| M8p | BSN20 | Phi | M | SOT23 | n-ch 50V 0.11A mosfet |
| M9 | BSS67R | Zet | R | | nnp 40V 0.1A sw fT 300MHz |
| M10 | PMBFJ310 | Phi | F | SOT23 | J310 n-ch jfet |
| M16 | PMBF4416A | Phi | ZC | SOT23 | 2N4416A n-ch jfet |
| M26 | BF908 | Phi | W | SOT143 | UHF n-ch dg mosfet |
| M27 | BF908R | Phi | UQ | SOT143 | UHF n-ch dg mosfet |
| M28 | BF909 | Phi | W | SOT143 | UHF n-ch dg mosfet |
| M29 | BF909R | Phi | UQ | SOT143 | UHF n-ch dg mosfet |

| | | | | | |
|-----|------------|-----|----|---------|--------------------------|
| M31 | BSD20 | Phi | XQ | | n-ch depl sw mosfet 10V |
| M32 | BSD22 | Phi | XQ | | n-ch depl sw mosfet 20V |
| M33 | BF861A | Phi | ZC | SOT23 | n-ch jfet |
| M34 | BF861B | Phi | ZC | SOT23 | n-ch jfet |
| M35 | BF861C | Phi | ZC | SOT23 | n-ch jfet |
| M52 | BF992R | Phi | UQ | SOT143R | n-ch dg mosfet |
| M56 | BF1100 | Phi | W | SOT143 | dg mosfet 14V 30mA 0.2W |
| M57 | BF1100R | Phi | UQ | SOT143R | dg mosfet 14V 30mA 0.2W |
| M65 | BF545A | Phi | ZC | SOT23 | VHF n-ch jfet |
| M66 | BF545B | Phi | ZC | SOT23 | VHF n-ch jfet |
| M67 | BF545C | Phi | ZC | SOT23 | VHF n-ch jfet |
| M68 | PMBFJ210 | Phi | ZC | SOT23 | n-ch jfet J210 |
| M69 | PMBFJ211 | Phi | ZC | SOT23 | n-ch jfet J211 |
| M70 | PMBFJ212 | Phi | ZC | SOT23 | n-ch jfet J212 |
| M74 | BSS83 | Phi | XQ | | n-ch enh sw mosfet |
| M84 | BF556A | Phi | ZC | SOT23 | VHF n-ch jfet |
| M85 | BF556B | Phi | ZC | SOT23 | VHF n-ch jfet |
| M86 | BF556C | Phi | ZC | SOT23 | VHF n-ch jfet |
| M87 | BF990A | Phi | W | SOT23 | UHF n-ch dg mosfet |
| M90 | BF990 | Phi | W | | BF980 |
| M91 | BF991 | Phi | W | | BF981 |
| M92 | BF992 | Phi | W | | BF982 |
| M94 | BF994 | Phi | W | | BF964 |
| M96 | BF996 | Phi | W | | BF966 |
| M97 | BFR101A | | | | |
| M98 | BFR101B | | | | |
| MA | M1MA151AT | Mot | E | SOT346 | 40V 100mA sw diode |
| MA | MBT3904DW1 | Mot | DN | SOT363 | dual 2N3904 |
| MA | M1MA152AT | Mot | E | SOT346 | 80V 100mA sw diode |
| MA | BFS17 | | N | SOT23 | BFW92 |
| MAp | BF989 | Phi | W | SOT143 | n-ch dg mosfet |
| MB | BF998WR | Phi | UQ | SOT343 | n-ch vhf dg mosfet BF988 |
| MB | BF995 | Sie | UQ | | n-ch vhf dg mosfet BF961 |
| MB | MBT3904DW9 | Mot | | | dual 2N3904 |

| | | | | | |
|-----|-----------|-----|----|---------|--------------------------|
| MCs | BFS17P | Sie | N | SOT23 | BFW92 |
| MCs | BFS17PW | Sie | N | SOT323 | BFW92 |
| MC | ZVN3306F | Zet | M | SOT23 | n-ch mosfet 60V 150mA |
| MC | BF904WR | Phi | UQ | SOT343R | n-ch uhf dg mosfet |
| MD | BF908WR | Phi | UQ | SOT343R | n-ch uhf dg mosfet |
| MF | ZVN3310F | Zet | M | SOT23 | n-ch mosfet 100V 100mA |
| MF | BF1100WR | Phi | UQ | SOT343R | n-ch uhf dg mosfet |
| MG | BF994S | Tfk | W | | BF964 n-ch dg vhf mosfet |
| MGp | BF994S | Phi | W | SOT343 | BF964 n-ch dg vhf mosfet |
| MH | BF996S | Tfk | W | | BF966 n-ch dg vhf mosfet |
| MH | BF996S | Phi | W | SOT343 | BF966 n-ch dg vhf mosfet |
| MH | M1MA141KT | Mot | C | SOT323 | 40V 100mA sw diode |
| MH | M1MA151KT | Mot | C | SOT346 | 40V 100mA sw diode |
| MI | M1MA142KT | Mot | C | SOT323 | 80V 100mA sw diode |
| MI | M1MA152KT | Mot | C | SOT346 | 80V 100mA sw diode |
| ML | ZVP3306F | Zet | M | SOT23 | p-ch mosfet 60V 90mA |
| MN | M1MA141WA | Mot | A | SOT323 | d diode ca 40V 100mA |
| MN | M1MA151WA | Mot | A | SOT346 | d diode ca 40V 100mA |
| MO | M1MA142W | Mot | A | SOT323 | d diode ca 80V 100mA |
| MO | M1MA152W | Mot | A | SOT346 | d diode ca 80V 100mA |
| MOs | BF998 | Sie | W | SOT143 | n-ch vhf dg mosfet BF988 |
| MOR | BF998R | Tfk | UQ | SOT143R | n-ch vhf dg mosfet BF988 |
| MOp | BF998 | Phi | W | SOT143 | n-ch vhf dg mosfet BF988 |
| MOp | BF998R | Sie | UQ | SOT143R | n-ch vhf dg mosfet BF988 |
| MR | BF998W | Sie | UQ | SOT143R | n-ch vhf dg mosfet BF988 |
| MR | ZVP3310F | Zet | M | SOT23 | p-ch mosfet 100V 75mA |
| MS | CF739 | Sie | W | | dg GaAsfet 2GHz |
| MT | M1MA141WK | Mot | B | SOT323 | dual diode cc 40V 100mA |
| MT | M1MA151WK | Mot | B | SOT346 | dual diode cc 40V 100mA |
| MU | M1MA142WK | Mot | B | SOT323 | dual diode cc 80V 100mA |
| MU | M1MA152WK | Mot | B | SOT346 | dual diode cc 80V 100mA |
| MU | ZVN3320F | Zet | M | SOT23 | n-ch mosfet 200V 60mA |
| MX | CF750 | Sie | U | | biased dg GaAsfet, 3-6V |
| MY | VN10LF | Zet | M | SOT23 | n-ch mosfet 60V 150mA |

| | | | | | |
|----|----------|-----|---|-------|-------------------------|
| MY | BF1012 | Sie | W | | n-ch dg mosfet 1GHz 12V |
| MZ | ZVN4106F | Zet | M | SOT23 | n-ch mosfet 60V 200mA |
| MZ | BF1005 | Sie | W | | n-ch dg mosfet 1GHz 5V |

*Last updated 10/07/2006
by GM4PMK*

GM4PMK's SMD Codebook

Codes beginning with 'N'

| Code | Device | Manf | Base | Package | Leaded Equivalent/Data |
|------|-------------|------|------|------------|--------------------------------------|
| N | DAN202K | Roh | B | | 80V 100mA dual diode |
| N | RN242CS | Roh | I | VMN2 | HF pin diode |
| N | BB181 | Phi | I | SOD 523 | VHF Varicap 1-15pF |
| N0 | TN0200T | Nat | M | SOT23 | n-ch mosfet 0.6A Id |
| N1 | MMBT100 | Nat | N | | npn gp sw 500mA |
| N1 | MMBF201N | Mot | M | SOT23 | n-ch tmosfet 20V 0.3A Id |
| N1 | MRF571 | Mot | N | SOT416 | 8 GHz 40mA npn RF |
| N1 | TN0201T | Tem | M | SOT23 | n-ch mosfet 0.3A Id 0.2W |
| N1 | MMSZ5261 | Vis | I | SOD123 | zener 300mW 5% 47V |
| N2 | MGSF1N02LT1 | Mot | M | SOT23 | n-ch mosfet, 20V 85mA |
| N2 | MMBC1653N2 | Mot | N | | npn 130V 50mA hfe 50-130 |
| N2 | BFS520 | Phi | N | SOT323 | npn RF 9GHz 70mA |
| N2 | MMSZ5262 | Vis | I | SOD123 | zener 300mW 5% 51V |
| N3 | MMBC1653N3 | Mot | N | | npn 130V 50mA hfe 100-220 |
| N3 | MGSF1N03L | Mot | M | SOT23 | n-ch TMOS mosfet 30V 0.75A |
| N3 | MMSZ5263 | Vis | I | SOD123 | zener 300mW 5% 56V |
| N3 | 1PS66SB62 | Phi | DY | SOT666 | 3 x 40V 20ma low C schottky diodes |
| N4 | MMBC1653N4 | Mot | N | | npn 130V 50mA hfe 150-330 |
| N4 | MMSZ5264 | Vis | I | SOD123 | zener 300mW 5% 60V |
| N5 | MMBC1654N5 | Mot | N | | npn 160V 50mA hfe 50-130 |
| N5 | MMSZ5265 | Vis | I | SOD123 | zener 300mW 5% 62V |
| N6 | MMBC1653N6 | Mot | N | | npn 160V 50mA hfe 100-220 |
| N6 | BFS25A | Phi | N | SOT323 | npn RF 5GHz 6.5mA 32 mW |
| N7 | MMBC1653N7 | Mot | N | | npn 160V 50mA hfe 150-330 |
| N9 | 1SS372 | Tosh | D | SC70 | dual series schottky 10V 0.1A low Vf |

| | | | | | |
|-----|------------|------|---|--------|--------------------------------------|
| N9 | 1SS374 | Tosh | D | SC59 | dual series schottky 10V 0.1A low Vf |
| N9 | DAN222 | Mot | B | SOT416 | dual cc si diode |
| N01 | DDTC113TE | Dio | N | SOT523 | dtr npn 50V 0.1A R1 1k0 0.15W |
| N01 | DDTC113TUA | Dio | N | SOT323 | dtr npn 50V 0.1A R1 1k0 0.2W |
| N01 | DDTC113TCA | Dio | N | SOT23 | dtr npn 50V 0.1A R11k0 0.2W |
| N01 | DDTC113TKA | Dio | N | SC59 | dtr npn 50V 0.1A R1 1k0 0.2W |
| N02 | DDTC113ZE | Dio | N | SOT523 | dtr npn 50V 0.1A res 1k0/10k 0.15W |
| N02 | DDTC113ZUA | Dio | N | SOT323 | dtr npn 50V 0.1A res 1k0/10k 0.2W |
| N02 | DDTC113ZCA | Dio | N | SOT23 | dtr npn 50V 0.1A res 1k0/10k 0.2W |
| N02 | DDTC113ZKA | Dio | N | SC59 | dtr npn 50V 0.1A res 1k0/10k 0.2W |
| N03 | DDTC123TE | Dio | N | SOT523 | dtr npn 50V 0.1A R1 2k2 0.15W |
| N03 | DDTC123TUA | Dio | N | SOT323 | dtr npn 50V 0.1A R1 2k2 0.2W |
| N03 | DDTC123TCA | Dio | N | SOT23 | dtr npn 50V 0.1A R1 2k2 0.2W |
| N03 | DDTC123TKA | Dio | N | SC59 | dtr npn 50V 0.1A R1 2k2 0.2W |
| N04 | DDTC123EE | Dio | N | SOT523 | dtr npn 50V 0.1A res 2k2/2k2 0.15W |
| N04 | DDTC123EUA | Dio | N | SOT323 | dtr npn 50V 0.1A res 2k2/2k2 0.2W |
| N04 | DDTC123ECA | Dio | N | SOT23 | dtr npn 50V 0.1A res 2k2/2k2 0.2W |
| N04 | DDTC123EKA | Dio | N | SC59 | dtr npn 50V 0.1A res 2k2/2k2 0.2W |
| N05 | SO2484 | SGS | N | | 2N2484 |
| N05 | DDTC123YE | Dio | N | SOT523 | dtr npn 50V 0.1A res 2k2/10k 0.15W |
| N05 | DDTC123YUA | Dio | N | SOT323 | dtr npn 50V 0.1A res 2k2/10k 0.2W |
| N05 | DDTC123YCA | Dio | N | SOT23 | dtr npn 50V 0.1A res 2k2/10k 0.2W |
| N05 | DDTC123YKA | Dio | N | SC59 | dtr npn 50V 0.1A res 2k2/10k 0.2W |

| | | | | | |
|-----|------------|-----|----|--------|---------------------------------------|
| N06 | DDTC123JE | Dio | N | SOT523 | dtr npn 50V 0.1A res 2k2/47k 0.15W |
| N06 | DDTC123JUA | Dio | N | SOT323 | dtr npn 50V 0.1A res 2k2/47k 0.2W |
| N06 | DDTC123JCA | Dio | N | SOT23 | dtr npn 50V 0.1A res 2k2/47k 0.2W |
| N06 | DDTC123JKA | Dio | N | SC59 | dtr npn 50V 0.1A res 2k2/47k 0.2W |
| N06 | DDC123JU | Dio | DN | SOT363 | dual dtr npn 50V 0.1A 2k2/47k |
| N06 | DDC123JK | Dio | DN | SOT26 | dual dtr npn 50V 0.1A 2k2/47k |
| N07 | DDTC143TE | Dio | N | SOT523 | dtr npn 50V 0.1A R1 4k7 0.15W |
| N07 | DDTC143TUA | Dio | N | SOT323 | dtr npn 50V 0.1A R1 4k7 0.2W |
| N07 | DDTC143TCA | Dio | N | SOT23 | dtr npn 50V 0.1A R1 4k7 0.2W |
| N07 | DDTC143TKA | Dio | N | SC59 | dtr npn 50V 0.1A R1 4k7 0.2W |
| N07 | DDC143TU | Dio | DN | SOT363 | dual dtr npn 50V 0.1A R1 4k7 |
| N07 | DDC143TK | Dio | DN | SOT26 | dual dtr npn 50V 0.1A R1 4k7 |
| N08 | DDTC143EE | Dio | N | SOT523 | dtr npn 50V 0.1A 4k7/4k7 0.15W |
| N08 | DDTC143EUA | Dio | N | SOT323 | dtr npn 50V 0.1A 4k7/4k7 0.2W |
| N08 | DDTC143ECA | Dio | N | SOT23 | dtr npn 50V 0.1A 4k7/4k7 0.2W |
| N08 | DDTC143EKA | Dio | N | SC59 | dtr npn 50V 0.1A 4k7/4k7 0.2W |
| N08 | SO930 | SGS | N | | 2N930 |
| N09 | DDTC123XE | Dio | N | SOT523 | dtr npn 50V 0.1A res 4k7/10k 0.15W |
| N09 | DDTC123XUA | Dio | N | SOT323 | dtr npn 50V 0.1A res 4k7/10k 0.2W |
| N09 | DDTC123XCA | Dio | N | SOT23 | dtr npn 50V 0.1A res 4k7/10k 0.2W |
| N09 | DDTC123XKA | Dio | N | SC59 | dtr npn 50V 0.1A res 4k7/10k 0.2W |
| N10 | SO918 | SGS | N | | 2N918 |
| N10 | DDTC143FE | Dio | N | SOT523 | dtr npn 50V 0.1A 4k7/22k 0.15W |
| N10 | DDTC143FUA | Dio | N | SOT323 | dtr npn 50V 0.1A 4k7/22k 0.2W |
| N10 | DDTC143FCA | Dio | N | SOT23 | dtr npn 50V 0.1A 4k7/22k 0.2W |
| N10 | DDTC143FKA | Dio | N | SC59 | dtr npn 50V 0.1A 4k7/22k 0.2W |
| N11 | DDTC143ZE | Dio | N | SOT523 | dtr npn 50V 0.1A 4k7/47k 0.15W |
| N11 | DDTC143ZUA | Dio | N | SOT323 | dtr npn 50V 0.1A 4k7/47k 0.2W |

| | | | | | |
|-----|------------|-----|----|--------|--------------------------------|
| N11 | DDTC143ZCA | Dio | N | SOT23 | dtr npn 50V 0.1A 4k7/47k 0.2W |
| N11 | DDTC143ZKA | Dio | N | SC59 | dtr npn 50V 0.1A 4k7/47k 0.2W |
| N11 | SO2369 | SGS | N | | 2N2369 |
| N12 | SO2221 | SGS | N | | 2N2221 |
| N12 | DDTC114TE | Dio | N | SOT523 | dtr npn 50V 0.1A R1 10k 0.15W |
| N12 | DDTC114TUA | Dio | N | SOT323 | dtr npn 50V 0.1A R1 10k 0.2W |
| N12 | DDTC114TCA | Dio | N | SOT23 | dtr npn 50V 0.1A R110k 0.2W |
| N12 | DDTC114TKA | Dio | N | SC59 | dtr npn 50V 0.1A R1 10k 0.2W |
| N12 | DDC114TU | Dio | DN | SOT363 | dual dtr npn 50V 0.1A R1 10k |
| N12 | DDC114TK | Dio | DN | SOT26 | dual dtr npn 50V 0.1A R1 10k |
| N13 | DDTC114EE | Dio | N | SOT523 | dtr npn 50V 0.1A 10k/10k 0.15W |
| N13 | DDTC114EUA | Dio | N | SOT323 | dtr npn 50V 0.1A 10k/10k 0.2W |
| N13 | DDTC114ECA | Dio | N | SOT23 | dtr npn 50V 0.1A 10k/10k 0.2W |
| N13 | DDTC114EKA | Dio | N | SC59 | dtr npn 50V 0.1A 10k/10k 0.2W |
| N13 | DDC114EU | Dio | DN | SOT363 | dual dtr npn 50V 0.1A 10k/10k |
| N13 | DDC114EK | Dio | DN | SOT26 | dual dtr npn 50V 0.1A 10k/10k |
| N13 | SO2222 | SGS | N | | 2N2222 |
| N14 | DDTC114YE | Dio | N | SOT523 | dtr npn 50V 0.1A 10k/47k 0.15W |
| N14 | DDTC114YUA | Dio | N | SOT323 | dtr npn 50V 0.1A 10k/47k 0.2W |
| N14 | DDTC114YCA | Dio | N | SOT23 | dtr npn 50V 0.1A 10k/47k 0.2W |
| N14 | DDTC114YKA | Dio | N | SC59 | dtr npn 50V 0.1A 10k/47k 0.2W |
| N14 | DDC114YU | Dio | DN | SOT363 | dual dtr npn 50V 0.1A 10k/47k |
| N14 | DDC114YK | Dio | DN | SOT26 | dual dtr npn 50V 0.1A 10k/47k |
| N15 | DDTC114WE | Dio | N | SOT523 | dtr npn 50V 0.1A 10k/47k 0.15W |
| N15 | DDTC114WUA | Dio | N | SOT323 | dtr npn 50V 0.1A 10k/47k 0.2W |
| N15 | DDTC114WCA | Dio | N | SOT23 | dtr npn 50V 0.1A 10k/47k 0.2W |
| N15 | DDTC114WKA | Dio | N | SC59 | dtr npn 50V 0.1A 10k/47k 0.2W |
| N16 | DDTC124TE | Dio | N | SOT523 | dtr npn 50V 0.1A R1 22k 0.15W |
| N16 | DDTC124TUA | Dio | N | SOT323 | dtr npn 50V 0.1A R1 22k 0.2W |
| N16 | DDTC124TCA | Dio | N | SOT23 | dtr npn 50V 0.1A R1 22k 0.2W |
| N16 | DDTC124TKA | Dio | N | SC59 | dtr npn 50V 0.1A R1 22k 0.2W |
| N17 | DDTC124EE | Dio | DN | SOT523 | dtr npn 50V 0.1A 22k/22k 0.15W |
| N17 | DDTC124EUA | Dio | DN | SOT323 | dtr npn 50V 0.1A 22k/22k 0.2W |
| N17 | DDTC124ECA | Dio | DN | SOT23 | dtr npn 50V 0.1A 22k/22k 0.2W |

| | | | | | |
|-----|------------|-----|----|--------|----------------------------------|
| N17 | DDTC124EKA | Dio | DN | SC59 | dtr npn 50V 0.1A 22k/22k 0.2w |
| N17 | DDC124EU | Dio | DN | SOT363 | dual dtr npn 50V 0.1A 22k/22k |
| N17 | DDC124EK | Dio | DN | SOT26 | dual dtr npn 50V 0.1A 22k/22k |
| N18 | SO1711 | SGS | N | | 2N1711 |
| N18 | DDTC124XE | Dio | N | SOT523 | dtr npn 50V 0.1A 22k/47k 0.15W |
| N18 | DDTC124XUA | Dio | N | SOT323 | dtr npn 50V 0.1A 22k/47k 0.2W |
| N18 | DDTC124XCA | Dio | N | SOT23 | dtr npn 50V 0.1A 22k/47k 0.2W |
| N18 | DDTC124XKA | Dio | N | SC59 | dtr npn 50V 0.1A 22k/47k 0.2W |
| N19 | DDTC144TE | Dio | N | SOT523 | dtr npn 50V 0.1A R1 47k 0.15W |
| N19 | DDTC144TUA | Dio | N | SOT323 | dtr npn 50V 0.1A R1 47k 0.2W |
| N19 | DDTC144TCA | Dio | N | SOT23 | dtr npn 50V 0.1A R1 47k 0.2W |
| N19 | DDTC144TKA | Dio | N | SC59 | dtr npn 50V 0.1A R1 47k 0.2W |
| N20 | DDTC124EE | Dio | N | SOT523 | dtr npn 50V 0.1A 22k/22k 0.15W |
| N20 | DDTC124EUA | Dio | N | SOT323 | dtr npn 50V 0.1A 22k/22k 0.2W |
| N20 | DDTC124ECA | Dio | N | SOT23 | dtr npn 50V 0.1A 22k/22k 0.2W |
| N20 | DDTC124EKA | Dio | N | SC59 | dtr npn 50V 0.1A 22k/22k 0.2W |
| N20 | DDC144EU | Dio | DN | SOT363 | dual dtr npn 50V 0.1A 47k/47k |
| N20 | DDC144EK | Dio | DN | SOT26 | dual dtr npn 50V 0.1A 47k/47k |
| N20 | SO2222A | SGS | N | | 2N2222A |
| N21 | DDTC144VE | Dio | N | SOT523 | dtr npn 50V 0.1A 47k/10k 0.15W |
| N21 | DDTC144VUA | Dio | N | SOT323 | dtr npn 50V 0.1A 47k/10k 0.2W |
| N21 | DDTC144VCA | Dio | N | SOT23 | dtr npn 50V 0.1A 47k/10k 0.2W |
| N21 | DDTC144VKA | Dio | N | SC59 | dtr npn 50V 0.1A 47k/10k 0.2W |
| N22 | DDTC144WE | Dio | N | SOT523 | dtr npn 50V 0.1A 47k/22k 0.15W |
| N22 | DDTC144WUA | Dio | N | SOT323 | dtr npn 50V 0.1A 47k/22k 0.2W |
| N22 | DDTC144WCA | Dio | N | SOT23 | dtr npn 50V 0.1A 47k/22k 0.2W |
| N22 | DDTC144WKA | Dio | N | SC59 | dtr npn 50V 0.1A 47k/22k 0.2W |
| N23 | DDTC115TE | Dio | N | SOT523 | dtr npn 50V 0.1A R1 100k 0.15W |
| N23 | DDTC115TUA | Dio | N | SOT323 | dtr npn 50V 0.1A R1 100k 0.2W |
| N23 | DDTC115TCA | Dio | N | SOT23 | dtr npn 50V 0.1A R1 100k 0.2W |
| N23 | DDTC115TKA | Dio | N | SC59 | dtr npn 50V 0.1A R1 100k 0.2W |
| N24 | DDTC115EE | Dio | N | SOT523 | dtr npn 50V 0.1A 100k/100k 0.15W |

| | | | | | |
|-----|------------|-----|----|--------|------------------------------------|
| N24 | DDTC115EUA | Dio | N | SOT323 | dtr npn 50V 0.1A 100k/100k 0.2W |
| N24 | DDTC115ECA | Dio | N | SOT23 | dtr npn 50V 0.1A 100k/100k 0.2W |
| N24 | DDTC115EKA | Dio | N | SC59 | dtr npn 50V 0.1A 100k/100k 0.2W |
| N25 | DDTC125TE | Dio | N | SOT523 | dtr npn 50V 0.1A R1 200k 0.15W |
| N25 | DDTC125TUA | Dio | N | SOT323 | dtr npn 50V 0.1A R1 200k 0.2W |
| N25 | DDTC125TCA | Dio | N | SOT23 | dtr npn 50V 0.1A R1 200k 0.2W |
| N25 | DDTC125TKA | Dio | N | SC59 | dtr npn 50V 0.1A R1 200k 0.2W |
| N26 | DDTC114GE | Dio | N | SOT523 | dtr npn 50V 0.1A R2 10k 0.15W |
| N26 | DDTC114GUA | Dio | N | SOT323 | dtr npn 50V 0.1A R2 10k 0.2W |
| N26 | DDTC114GCA | Dio | N | SOT23 | dtr npn 50V 0.1A R2 10k 0.2W |
| N26 | DDTC114GKA | Dio | N | SC59 | dtr npn 50V 0.1A R2 10k 0.2W |
| N27 | SO1893 | SGS | N | | 2N1893 |
| N27 | DDTC124GE | Dio | N | SOT523 | dtr npn 50V 0.1A R2 22k 0.15W |
| N27 | DDTC124GUA | Dio | N | SOT323 | dtr npn 50V 0.1A R2 22k 0.2W |
| N27 | DDTC124GCA | Dio | N | SOT23 | dtr npn 50V 0.1A R2 22k 0.2W |
| N27 | DDTC124GKA | Dio | N | SC59 | dtr npn 50V 0.1A R2 22k 0.2W |
| N28 | BFR520 | Phi | N | SOT23 | npn RF 9GHz 70mA |
| N28 | DDTC144GE | Dio | N | SOT523 | dtr npn 50V 0.1A R2 47k 0.15W |
| N28 | DDTC144GUA | Dio | N | SOT323 | dtr npn 50V 0.1A R2 47k 0.2W |
| N28 | DDTC144GCA | Dio | N | SOT23 | dtr npn 50V 0.1A R2 47k 0.2W |
| N28 | DDTC144GKA | Dio | N | SC59 | dtr npn 50V 0.1A R2 47k 0.2W |
| N29 | BFR540 | Phi | N | SOT23 | npn RF 9GHz 120mA |
| N29 | DDTC115GE | Dio | N | SOT523 | dtr npn 50V 0.1A R2 100k 0.15W |
| N29 | DDTC115GUA | Dio | N | SOT323 | dtr npn 50V 0.1A R2 100k 0.2W |
| N29 | DDTC115GCA | Dio | N | SOT23 | dtr npn 50V 0.1A R2 100k 0.2W |
| N29 | DDTC115GKA | Dio | N | SC59 | dtr npn 50V 0.1A R2 100k 0.2W |
| N30 | BFR505 | Phi | N | SOT23 | npn RF 9GHz 15V 18mA |
| N33 | BFG505 | Phi | TQ | SOT143 | npn RF 9GHz 15V 18mA |
| N36 | BFG520 | Phi | X | SOT143 | npn RF 9GHz 70mA |
| N37 | BFG540 | Phi | X | SOT143 | npn RF 9GHz 120mA |
| N38 | BFG590 | Phi | TQ | SOT143 | npn RF 5GHz 15V 0.2A |
| N39 | BFG505X | Phi | X | | npn RF 9GHz 15V 18mA |

| | | | | | |
|-----|-----------|-----|----|---------|-----------------------------|
| N44 | BFG590X | Phi | X | | npn RF 5GHz 15V 0.2A |
| N54 | SO2221A | SGS | N | | 2N2221A |
| N70 | BFG10 | Phi | TQ | SOT143 | npn 8V 250mA 1.8GHz pwr amp |
| N71 | SO3904 | SGS | N | | 2N3904 |
| N71 | BFG10X | Phi | X | | 8V 250mA 1.8GHz pwr amp |
| N72 | BFG11 | Phi | TQ | SOT143 | 8V 400mA 1.8GHz pwr amp |
| N72 | SO3903 | SGS | N | | 2N3903 |
| N73 | BFG11X | Phi | X | | 8V 400mA 1.8GHz pwr amp |
| N79 | SO5550 | SGS | N | | 2N5550 |
| N80 | SO5551 | SGS | N | | 2N5551 |
| N81 | SO2369A | SGS | N | | 2N2369A |
| N91 | SO642 | SGS | N | | npn Vce 300V |
| N94 | SO517 | SGS | N | | npn darlington |
| NA | CFY35-20 | Sie | DM | | 10GHz GaAsfet |
| NA | BF1105WR | Phi | UQ | SOT343R | uhf n-ch dg mosfet |
| NAp | BF1105R | Phi | UQ | SOT143R | uhf n-ch dg mosfet |
| NB | BF1109WR | Phi | UQ | SOT343R | uhf n-ch dg mosfet |
| NBp | BF1109R | Phi | UQ | SOT143R | uhf n-ch dg mosfet |
| NEp | BF1105 | Phi | UQ | SOT143 | uhf n-ch dg mosfet |
| NFp | BF1109 | Phi | UQ | SOT143 | uhf n-ch dg mosfet |
| NB | CFY35-23 | Sie | DM | | 10GHz GaAsfet |
| NP | CMDZ5L6 | CSC | I | SOD323 | zener 250mW Iz 0.5mA 5.6V |
| NY | BF1012s | Sie | W | | n-ch dg mosfet 1GHz 12V |
| NZ | MGSF1N02L | Mot | M | | n-ch TMOS FET |

*Last Updated on 10/07/2006
By GM4PMK*

GM4PMK's SMD Codebook

Codes beginning with 'O'

be sure to check the '0' (zero) table as well

| Code | Device | Manf | Base | Package | Leaded Equivalent/Data |
|--------------|-----------|------|------|---------|---------------------------|
| O (white) | BAT14-03W | Sie | I | SOD323 | RF Schottky 4V 90mA |
| O05 | SO2484R | SGS | R | | 2N2484 |
| O08 | SO930R | SGS | R | | 2N930 |
| O9 | 1SS385F | Tosh | B | ESM | 2 x 10V 0.1A cc schottky |
| O9 | 1SS385 | Tosh | B | SSM | 2 x 10V 0.1A cc schottky |
| O9 | 1SS378 | Tosh | B | SC70 | 2 x 10V 0.1A cc schottky |
| O9 | 1SS377 | Tosh | B | sc59 | 2 x 10V 0.1A cc schottky |
| O10 | SO918R | SGS | R | | 2N918 |
| O12 | SO2221R | SGS | R | | 2N2221 |
| O13 | SO2222R | SGS | R | | 2N2222 |
| O2 | BST82 | Phi | M | SOT23 | n-ch mosfet 80V 175mA |
| O20 | SO2222AR | SGS | R | | 2N2222A |
| O27 | SO1893R | SGS | R | | 2N1893 |
| O54 | SO2221AR | SGS | R | | 2N2221A |
| O79 | SO5550R | SGS | R | | 2N5550 |
| O80 | SO5551R | SGS | R | | 2N5551 |
| O91 | SO642R | SGS | R | | npn Vce 300V |
| OP | CMDZ6L2 | CSC | I | SOD323 | zener 250mW Iz 0.5mA 6.2V |

Last Updated on 10/07/2006
By GM4PMK

GM4PMK's SMD Codebook

Codes beginning with 'P'

| Code | Device | Manf | Base | Package | Leaded Equivalent/Data |
|--------------|-------------|------|------|---------|------------------------------------|
| P (white) | BAT15-03W | Sie | I | SOD323 | RF Schottky 4V 100mA |
| P | KV1841E | Tok | I | URD | uhf varicap 7-15pF |
| P | RSX051VA-30 | Roh | I | TUMD2 | schottky diode 0.5A 30V |
| P | DAP202K | Roh | A | | 80V 100mA dual |
| P0 | BFP90A | Phi | CX | SOT173 | BFG90A |
| P0 | TP0101T | Tem | M | SOT23 | p-ch mosfet 0.5A 12V |
| P0 | HSMS-285B | HP | C | SOT323 | zero-bias schottky diode uW det |
| P0 | HSMS-2850 | HP | C | SOT23 | zero-bias schottky diode uW det |
| P01 | SO2906 | SGS | N | | 2N2906 |
| P01 | SST201 | Sil | F | SOT23 | J201 n-ch fet |
| P01 | DDTA113TE | Dio | N | SOT523 | dtr pnp 50V 0.1A R1 1k0 0.15W |
| P01 | DDTA113TUA | Dio | N | SOT323 | dtr pnp 50V 0.1A R1 1k0 0.2W |
| P01 | DDTA113TCA | Dio | N | SOT23 | dtr pnp 50V 0.1A R11k0 0.2W |
| P01 | DDTA113TKA | Dio | N | SC59 | dtr pnp 50V 0.1A R1 1k0 0.2W |
| P02 | SST202 | Sil | F | SOT23 | J202 n-ch fet |
| P02 | DDTA113ZE | Dio | N | SOT523 | dtr pnp 50V 0.1A res 1k0/10k 0.15W |
| P02 | DDTA113ZUA | Dio | N | SOT323 | dtr pnp 50V 0.1A res 1k0/10k 0.2W |
| P02 | DDTA113ZCA | Dio | N | SOT23 | dtr pnp 50V 0.1A res 1k0/10k 0.2W |
| P02 | DDTA113ZKA | Dio | N | SC59 | dtr pnp 50V 0.1A res 1k0/10k 0.2W |
| P03 | SO2907A | SGS | N | | 2N2907A |
| P03 | SST203 | Sil | F | SOT23 | J203 n-ch fet |
| P03 | DDTA123TE | Dio | N | SOT523 | dtr pnp 50V 0.1A R1 2k2 0.15W |
| P03 | DDTA123TUA | Dio | N | SOT323 | dtr pnp 50V 0.1A R1 2k2 0.2W |
| P03 | DDTA123TCA | Dio | N | SOT23 | dtr pnp 50V 0.1A R1 2k2 0.2W |
| P03 | DDTA123TKA | Dio | N | SC59 | dtr pnp 50V 0.1A R1 2k2 0.2W |
| P04 | SST204 | Sil | F | SOT23 | J204 n-ch fet |
| P04 | DDTA123EE | Dio | N | SOT523 | dtr pnp 50V 0.1A res 2k2/2k2 0.15W |

| | | | | | |
|-----|------------|-----|----|---------|------------------------------------|
| P04 | DDTA123EUA | Dio | N | SOT323 | dtr pnp 50V 0.1A res 2k2/2k2 0.2W |
| P04 | DDTA123ECA | Dio | N | SOT23 | dtr pnp 50V 0.1A res 2k2/2k2 0.2W |
| P04 | DDTA123EKA | Dio | N | SC59 | dtr pnp 50V 0.1A res 2k2/2k2 0.2W |
| P05 | SO2907 | SGS | N | | 2N2907 |
| P05 | DDTA123YE | Dio | N | SOT523 | dtr pnp 50V 0.1A res 2k2/10k 0.15W |
| P05 | DDTA123YUA | Dio | N | SOT323 | dtr pnp 50V 0.1A res 2k2/10k 0.2W |
| P05 | DDTA123YCA | Dio | N | SOT23 | dtr pnp 50V 0.1A res 2k2/10k 0.2W |
| P05 | DDTA123YKA | Dio | N | SC59 | dtr pnp 50V 0.1A res 2k2/10k 0.2W |
| P06 | SO2894 | SGS | N | | 2N2894 |
| P06 | DDTA123JE | Dio | N | SOT523 | dtr pnp50V 0.1A res 2k2/47k 0.15W |
| P06 | DDTA123JUA | Dio | N | SOT323 | dtr pnp 50V 0.1A res 2k2/47k 0.2W |
| P06 | DDTA123JCA | Dio | N | SOT23 | dtr pnp 50V 0.1A res 2k2/47k 0.2W |
| P06 | DDTA123JKA | Dio | N | SC59 | dtr pnp 50V 0.1A res 2k2/47k 0.2W |
| P06 | DDA123JU | Dio | DO | SOT363 | dual dtr pnp 50V 0.1A 2k2/47k |
| P06 | DDA123JK | Dio | DO | SOT26 | dual dtr pnp 50V 0.1A 2k2/47k |
| P07 | DDTA143TE | Dio | N | SOT523 | dtr pnp 50V 0.1A R1 4k7 0.15W |
| P07 | DDTA143TUA | Dio | N | SOT323 | dtr pnp 50V 0.1A R1 4k7 0.2W |
| P07 | DDTA143TCA | Dio | N | SOT23 | dtr pnp 50V 0.1A R1 4k7 0.2W |
| P07 | DDTA143TKA | Dio | N | SC59 | dtr pnp 50V 0.1A R1 4k7 0.2W |
| P07 | DDA143TU | Dio | DO | SOT363 | dual dtr pnp 50V 0.1A R1 4k7 |
| P07 | DDA143TK | Dio | DO | SOT26 | dual dtr pnp 50V 0.1A R1 4k7 |
| P08 | DDTA143EE | Dio | N | SOT523 | dtr pnp 50V 0.1A 4k7/4k7 0.15W |
| P08 | DDTA143EUA | Dio | N | SOT323 | dtr pnp 50V 0.1A 4k7/4k7 0.2W |
| P08 | DDTA143ECA | Dio | N | SOT23 | dtr pnp 50V 0.1A 4k7/4k7 0.2W |
| P08 | DDTA143EKA | Dio | N | SC59 | dtr pnp 50V 0.1A 4k7/4k7 0.2W |
| P09 | DDTA123XE | Dio | N | SOT523 | dtr pnp 50V 0.1A res 4k7/10k 0.15W |
| P09 | DDTA123XUA | Dio | N | SOT323 | dtr pnp 50V 0.1A res 4k7/10k 0.2W |
| P09 | DDTA123XCA | Dio | N | SOT23 | dtr pnp 50V 0.1A res 4k7/10k 0.2W |
| P09 | DDTA123XKA | Dio | N | SC59 | dtr pnp 50V 0.1A res 4k7/10k 0.2W |
| P1 | BB131 | Phi | I | SOD 323 | VHF Varicap 1-15pF |
| P1 | BFP91A | Phi | CX | SOT173 | BFG91A |
| P1 | SST201 | Tem | F | SOT23 | J201 n-ch jfet |
| P1 | MMSZ5266 | Vis | I | SOD123 | zener 300mW 5% 68V |
| P1 | BZX84C11T | Dio | C | SOT523 | zener 150mW 11V |

| | | | | | |
|-----|------------|-----|----|---------|-------------------------|
| P1D | PZTA42 | Mot | P | | MPSA42 10mA 300V npn |
| P1F | PZT2222A | Mot | P | | 2N2222A sw npn |
| P1N | PZTA14 | Mot | P | | MPSA14 darlington |
| P1 | BFR92 | Phi | N | SOT23 | BFR90 |
| P1D | PZTA42 | Mot | P | | MPSA42 300V npn |
| P1N | PZTA14 | Mot | P | | nnp darlington MPSA14 |
| P2 | BB132 | Phi | I | SOD 323 | VHF Varicap 2,5-28,8pF |
| P2 | BFR92A | Phi | N | SOT23 | BFR90A |
| P2p | BFR92AW | Phi | N | SOT323 | BFR90A |
| P2 | HSMSM-285C | HP | D | SOT323 | dual series HSMS-285B |
| P2 | HSMSM-2852 | HP | D | SOT23 | dual series HSMS-285B |
| P2 | MMSZ5267 | Vis | I | SOD123 | zener 300mW 5% 75V |
| P2 | BZX84C12T | Dio | C | SOT523 | zener 150mW 12V |
| P2D | PZTA92 | Mot | P | | MPSA92 300V pnp |
| P2F | PZT2907A | Mot | P | | 2N2907A sw pnp |
| P2V | PZTA64 | Mot | P | | MPSA64 darlington |
| P3 | BB133 | Phi | I | SOD 323 | VHF Varicap 2,5-18,5pF |
| P3 | MMBF2202P | Mot | M | SOT23 | p-ch TMOSfet 0.3A 20V |
| P3 | TP0202T | Tem | M | | p-ch mosfet 0.3A 20V |
| P3 | BZX84C13T | Dio | C | SOT523 | zener 150mW 13V |
| P4 | BFR92R | Phi | R | SOT23R | BFR90 |
| P4 | BB134 | Phi | I | SOD 323 | UHF Varicap 2-12pF |
| P4 | BZX84C15T | Dio | C | SOT523 | zener 150mW 15V |
| P5 | BB135 | Phi | I | SOD 323 | UHF Varicap 2-12pF |
| P5 | BFR92AR | Phi | R | SOT23R | BFR90A |
| P5 | FMMT2369A | Zet | N | | 2N2369A |
| P5 | HSMSM-2855 | HP | S | SOT143 | separate pair HSMS-2850 |
| P5 | BZX84C16T | Dio | C | SOT523 | zener 150mW 16V |
| P6 | BFP96 | Phi | CX | SOT173 | BFG96 |
| P6 | BZX84C18T | Dio | C | SOT523 | zener 150mW 18V |
| P7 | BB147 | Phi | I | SOD 323 | VHF Varicap 2,5-42pF |
| P7 | BZX84C20T | Dio | C | SOT523 | zener 150mW 20V |
| P8 | BB148 | Phi | I | SOD 323 | VHF Varicap 2,5-17,5pF |
| P8 | BZX84C22T | Dio | C | SOT523 | zener 150mW 22V |

| | | | | | |
|-----|------------|-----|----|---------|--------------------------------|
| P8A | FLLD258 | Zet | B | SOT23 | low leakage dual ca Si diode |
| P9 | BB149 | Phi | I | SOD 323 | UHF Varicap 2-11pF |
| P9 | BCX70KR | Phi | R | SOT23R | BCY59-x |
| P9 | DAP222 | Mot | A | SOT416 | dual ca sw diode |
| P9 | BZX84C24T | Dio | C | SOT523 | zener 150mW 24V |
| P10 | DDTA143FE | Dio | N | SOT523 | dtr pnp 50V 0.1A 4k7/22k 0.15W |
| P10 | DDTA143FUA | Dio | N | SOT323 | dtr pnp50V 0.1A 4k7/22k 0.2W |
| P10 | DDTA143FCA | Dio | N | SOT23 | dtr pnp 50V 0.1A 4k7/22k 0.2W |
| P10 | DDTA143FKA | Dio | N | SC59 | dtr pnp 50V 0.1A 4k7/22k 0.2W |
| P11 | DDTA143ZE | Dio | N | SOT523 | dtr pnp 50V 0.1A 4k7/47k 0.15W |
| P11 | DDTA143ZUA | Dio | N | SOT323 | dtr pnp 50V 0.1A 4k7/47k 0.2W |
| P11 | DDTA143ZCA | Dio | N | SOT23 | dtr pnp 50V 0.1A 4k7/47k 0.2W |
| P11 | DDTA143ZKA | Dio | N | SC59 | dtr pnp 50V 0.1A 4k7/47k 0.2W |
| P12 | SO2906A | SGS | N | | 2N2906A |
| P12 | DDTA114TE | Dio | N | SOT523 | dtr pnp 50V 0.1A R1 10k 0.15W |
| P12 | DDTA114TUA | Dio | N | SOT323 | dtr pnp 50V 0.1A R1 10k 0.2W |
| P12 | DDTA114TCA | Dio | N | SOT23 | dtr pnp 50V 0.1A R110k 0.2W |
| P12 | DDTA114TKA | Dio | N | SC59 | dtr pnp 50V 0.1A R1 10k 0.2W |
| P12 | DDA114TU | Dio | DO | SOT363 | dual dtr pnp 50V 0.1A R1 10k |
| P12 | DDA114TK | Dio | DO | SOT26 | dual dtr pnp 50V 0.1A R1 10k |
| P13 | DDTA114EE | Dio | N | SOT523 | dtr pnp 50V 0.1A 10k/10k 0.15W |
| P13 | DDTA114EUA | Dio | N | SOT323 | dtr pnp 50V 0.1A 10k/10k 0.2W |
| P13 | DDTA114ECA | Dio | N | SOT23 | dtr pnp 50V 0.1A 10k/10k 0.2W |
| P13 | DDTA114EKA | Dio | N | SC59 | dtr pnp 50V 0.1A 10k/10k 0.2W |
| P13 | DDA114EU | Dio | DO | SOT363 | dual dtr pnp 50V 0.1A 10k/10k |
| P13 | DDA114EK | Dio | DO | SOT26 | dual dtr pnp 50V 0.1A 10k/10k |
| P14 | DDTA114YE | Dio | N | SOT523 | dtr pnp 50V 0.1A 10k/47k 0.15W |
| P14 | DDTA114YUA | Dio | N | SOT323 | dtr pnp 50V 0.1A 10k/47k 0.2W |
| P14 | DDTA114YCA | Dio | N | SOT23 | dtr pnp 50V 0.1A 10k/47k 0.2W |
| P14 | DDTA114YKA | Dio | N | SC59 | dtr pnp 50V 0.1A 10k/47k 0.2W |
| P14 | DDA114YU | Dio | DO | SOT363 | dual dtr pnp 50V 0.1A 10k/47k |
| P14 | DDA114YK | Dio | DO | SOT26 | dual dtr pnp 50V 0.1A 10k/47k |
| P15 | DDTA114WE | Dio | N | SOT523 | dtr pnp 50V 0.1A 10k/47k 0.15W |
| P15 | DDTA114WUA | Dio | N | SOT323 | dtr pnp 50V 0.1A 10k/47k 0.2W |

| | | | | | |
|-----|------------|-----|----|--------|--------------------------------|
| P15 | DDTA114WCA | Dio | N | SOT23 | dtr pnp 50V 0.1A 10k/47k 0.2W |
| P15 | DDTA114WKA | Dio | N | SC59 | dtr pnp 50V 0.1A 10k/47k 0.2W |
| P16 | DDTA124TE | Dio | N | SOT523 | dtr pnp 50V 0.1A R1 22k 0.15W |
| P16 | DDTA124TUA | Dio | N | SOT323 | dtr pnp 50V 0.1A R1 22k 0.2W |
| P16 | DDTA124TCA | Dio | N | SOT23 | dtr pnp 50V 0.1A R1 22k 0.2W |
| P16 | DDTA124TKA | Dio | N | SC59 | dtr pnp 50V 0.1A R1 22k 0.2W |
| P17 | DDTA124EE | Dio | DO | SOT523 | dtr pnp 50V 0.1A 22k/22k 0.15W |
| P17 | DDTA124EUA | Dio | DO | SOT323 | dtr pnp 50V 0.1A 22k/22k 0.2W |
| P17 | DDTA124ECA | Dio | DO | SOT23 | dtr pnp 50V 0.1A 22k/22k 0.2W |
| P17 | DDTA124EKA | Dio | DO | SC59 | dtr pnp 50V 0.1A 22k/22k 0.2w |
| P17 | DDC124EU | Dio | DO | SOT363 | dual dtr pnp 50V 0.1A 22k/22k |
| P17 | DDC124EK | Dio | DO | SOT26 | dual dtr pnp 50V 0.1A 22k/22k |
| P18 | DDTA124XE | Dio | N | SOT523 | dtr pnp 50V 0.1A 22k/47k 0.15W |
| P18 | DDTA124XUA | Dio | N | SOT323 | dtr pnp 50V 0.1A 22k/47k 0.2W |
| P18 | DDTA124XCA | Dio | N | SOT23 | dtr pnp 50V 0.1A 22k/47k 0.2W |
| P18 | DDTA124XKA | Dio | N | SC59 | dtr pnp 50V 0.1A 22k/47k 0.2W |
| P19 | DDTA144TE | Dio | N | SOT523 | dtr pnp50V 0.1A R1 47k 0.15W |
| P19 | DDTA144TUA | Dio | N | SOT323 | dtr pnp 50V 0.1A R1 47k 0.2W |
| P19 | DDTA144TCA | Dio | N | SOT23 | dtr pnp 50V 0.1A R1 47k 0.2W |
| P19 | DDTA144TKA | Dio | N | SC59 | dtr pnp 50V 0.1A R1 47k 0.2W |
| P20 | DDTA124EE | Dio | N | SOT523 | dtr pnp 50V 0.1A 22k/22k 0.15W |
| P20 | DDTA124EUA | Dio | N | SOT323 | dtr pnp 50V 0.1A 22k/22k 0.2W |
| P20 | DDTA124ECA | Dio | N | SOT23 | dtr pnp 50V 0.1A 22k/22k 0.2W |
| P20 | DDTA124EKA | Dio | N | SC59 | dtr pnp 50V 0.1A 22k/22k 0.2W |
| P20 | DDA144EU | Dio | DO | SOT363 | dual dtr pnp 50V 0.1A 47k/47k |
| P20 | DDA144EK | Dio | DO | SOT26 | dual dtr pnp 50V 0.1A 47k/47k |
| P21 | DDTA144VE | Dio | N | SOT523 | dtr pnp 50V 0.1A 47k/10k 0.15W |
| P21 | DDTA144VUA | Dio | N | SOT323 | dtr pnp 50V 0.1A 47k/10k 0.2W |
| P21 | DDTA144VCA | Dio | N | SOT23 | dtr pnp 50V 0.1A 47k/10k 0.2W |
| P21 | DDTA144VKA | Dio | N | SC59 | dtr pnp 50V 0.1A 47k/10k 0.2W |
| P22 | DDTA144WE | Dio | N | SOT523 | dtr pnp 50V 0.1A 47k/22k 0.15W |
| P22 | DDTA144WUA | Dio | N | SOT323 | dtr pnp 50V 0.1A 47k/22k 0.2W |
| P22 | DDTA144WCA | Dio | N | SOT23 | dtr pnp 50V 0.1A 47k/22k 0.2W |
| P22 | DDTA144WKA | Dio | N | SC59 | dtr pnp 50V 0.1A 47k/22k 0.2W |

| | | | | | |
|-----|------------|-----|---|--------|----------------------------------|
| P23 | DDTA115TE | Dio | N | SOT523 | dtr pnp 50V 0.1A R1 100k 0.15W |
| P23 | DDTA115TUA | Dio | N | SOT323 | dtr pnp 50V 0.1A R1 100k 0.2W |
| P23 | DDTA115TCA | Dio | N | SOT23 | dtr pnp 50V 0.1A R1 100k 0.2W |
| P23 | DDTA115TKA | Dio | N | SC59 | dtr pnp 50V 0.1A R1 100k 0.2W |
| P24 | DDTA115EE | Dio | N | SOT523 | dtr pnp 50V 0.1A 100k/100k 0.15W |
| P24 | DDTA115EUA | Dio | N | SOT323 | dtr pnp 50V 0.1A 100k/100k 0.2W |
| P24 | DDTA115ECA | Dio | N | SOT23 | dtr pnp 50V 0.1A 100k/100k 0.2W |
| P24 | DDTA115EKA | Dio | N | SC59 | dtr pnp 50V 0.1A 100k/100k 0.2W |
| P25 | DDTA125TE | Dio | N | SOT523 | dtr pnp 50V 0.1A R1 200k 0.15W |
| P25 | DDTA125TUA | Dio | N | SOT323 | dtr pnp 50V 0.1A R1 200k 0.2W |
| P25 | DDTA125TCA | Dio | N | SOT23 | dtr pnp 50V 0.1A R1 200k 0.2W |
| P25 | DDTA125TKA | Dio | N | SC59 | dtr pnp 50V 0.1A R1 200k 0.2W |
| P25 | SO3906 | SGS | N | | 2N3906 |
| P26 | SO3905 | SGS | N | | 2N3905 |
| P26 | DDTA114GE | Dio | N | SOT523 | dtr pnp 50V 0.1A R2 10k 0.15W |
| P26 | DDTA114GUA | Dio | N | SOT323 | dtr pnp 50V 0.1A R2 10k 0.2W |
| P26 | DDTA114GCA | Dio | N | SOT23 | dtr pnp 50V 0.1A R2 10k 0.2W |
| P26 | DDTA114GKA | Dio | N | SC59 | dtr pnp 50V 0.1A R2 10k 0.2W |
| P27 | DDTA124GE | Dio | N | SOT523 | dtr pnp 50V 0.1A R2 22k 0.15W |
| P27 | DDTA124GUA | Dio | N | SOT323 | dtr pnp 50V 0.1A R2 22k 0.2W |
| P27 | DDTA124GCA | Dio | N | SOT23 | dtr pnp 50V 0.1A R2 22k 0.2W |
| P27 | DDTA124GKA | Dio | N | SC59 | dtr pnp 50V 0.1A R2 22k 0.2W |
| P28 | DDTA144GE | Dio | N | SOT523 | dtr pnp 50V 0.1A R2 47k 0.15W |
| P28 | DDTA144GUA | Dio | N | SOT323 | dtr pnp 50V 0.1A R2 47k 0.2W |
| P28 | DDTA144GCA | Dio | N | SOT23 | dtr pnp 50V 0.1A R2 47k 0.2W |
| P28 | DDTA144GKA | Dio | N | SC59 | dtr pnp 50V 0.1A R2 47k 0.2W |
| P29 | DDTA115GE | Dio | N | SOT523 | dtr pnp 50V 0.1A R2 100k 0.15W |
| P29 | DDTA115GUA | Dio | N | SOT323 | dtr pnp 50V 0.1A R2 100k 0.2W |
| P29 | DDTA115GCA | Dio | N | SOT23 | dtr pnp 50V 0.1A R2 100k 0.2W |
| P29 | DDTA115GKA | Dio | N | SC59 | dtr pnp 50V 0.1A R2 100k 0.2W |
| P32 | SO5400 | SGS | N | | 2N5400 |
| P33 | SO5401 | SGS | N | | 2N5401 |
| P38 | SST4338 | Sil | F | SOT23 | 2N4338 |
| P39 | SST4339 | Sil | F | | 2N4339 |

| | | | | | |
|-----|-----------|-----|---|---------|---------------------------|
| P39 | SO692 | SGS | | | pnp Vce 300V |
| P40 | SST4340 | Sil | F | SOT23 | 2N4340 |
| P41 | SST4341 | Sil | F | SOT23 | 2N4341 |
| P57 | SST5457 | Sil | F | SOT23 | 2N5457 |
| P58 | SST5458 | Sil | F | SOT23 | 2N5458 |
| P59 | SST5459 | Sil | F | SOT23 | 2N5459 |
| P60 | SST5460 | Sil | F | SOT23 | 2N5460 |
| P61 | SST5461 | Sil | F | SOT23 | 2N5461 |
| P62 | SST5462 | Sil | F | SOT23 | 2N5462 |
| P63 | SST5463 | Sil | F | SOT23 | 2N5463 |
| P64 | SST5464 | Sil | F | SOT23 | 2N5464 |
| P65 | SST5465 | Sil | F | SOT23 | 2N5465 |
| PA | BB151 | Phi | I | SOD 323 | Low Voltage Varicap |
| PB | BB152 | Phi | I | SOD 323 | VHF Varicap 2,5-23pF |
| PC | BB153 | Phi | I | SOD 323 | VHF Varicap 2,5-15pF |
| PC | MGSF1P02L | Mot | M | SOT23 | p ch enh tmosfet |
| PD | BSS84L | Mot | M | SOT23 | p-ch enh tmosfet |
| PE | BB155 | Phi | I | SOD 323 | Low Voltage Varicap |
| PF | BB156 | Phi | I | SOD 323 | Low Voltage Varicap |
| PG | BB157 | Phi | I | SOD 323 | VHF Varicap 2,7-13,7pF |
| PH | BB158 | Phi | I | SOD 323 | VHF Varicap 2,5-17,5pF |
| PH2 | SST4302 | Sil | F | SOT23 | 2N4302 |
| PH3 | SST4303 | Sil | F | SOT23 | 2N4303 |
| PH4 | SST4304 | Sil | F | SOT23 | 2N4304 |
| PJ | BB159 | Phi | I | SOD 323 | UHF Varicap 2-11pF |
| PK | BB164 | Phi | I | SOD 323 | VHF Varicap 3-22,5pF |
| PL | BB149A | Phi | I | SOD323 | 2-12pF varicap |
| PN | BB190 | Phi | I | SOD 323 | Low Voltage Varicap |
| POs | BAR64 | Sie | C | SOT23 | single 200V RF pin |
| PP | CMDZ6L8 | CSC | I | SOD323 | zener 250mW Iz 0.5mA 6.8V |
| PPs | BAR64-04 | Sie | D | SOT23 | dual series 200V RF pin |
| PPs | BAR64-04W | Sie | D | SOT323 | dual series 200V RF pin |
| PRs | BAR64-05 | Sie | B | SOT23 | dual cc 200V RF pin |
| PRs | BAR64-05W | Sie | B | SOT323 | dual cc 200V RF pin |

| | | | | | |
|-----|-----------|-----|---|--------|---------------------|
| PSs | BAR64-06 | Sie | A | SOT23 | dual ca 200V RF pin |
| PSs | BAR64-06W | Sie | A | SOT323 | dual ca 200V RF pin |

Last Updated on 10/07/2005

By GM4PMK

GM4PMK's SMD Codebook

Codes beginning with 'Q'

| Code | Device | Manf | Base | Package | Leaded Equivalent/Data |
|------|-------------|------|------|---------|---------------------------------|
| Q | RSX071VA-30 | Roh | I | TUMD2 | schottky diode 0.7A 30V |
| Q3 | MMBC1321Q3 | Mot | N | | npn VHF amp fT 0.6GHz |
| Q4 | MMBC1321Q4 | Mot | N | | npn VHF amp fT 0.6GHz |
| Q5 | MMBC1321Q5 | Mot | N | | npn VHF amp fT 0.6GHz |
| QP | CMDZ7L5 | CSC | I | SOD323 | zener 250mW Iz 0.5mA 7.5V |
| QQ | 2SC4536 | Nec | P | | npn RF fT 5.7GHz 2W hFE 40-80 |
| QR | 2SC4536 | Nec | P | | npn RF fT 5.7GHz 2W hFE 60-120 |
| QS | 2SC4536 | Nec | P | | npn RF fT 5.7GHz 2W hFE 100-200 |

*Last Updated on 10/07/2006
By GM4PMK*

GM4PMK's SMD Codebook

Codes beginning with 'R'

| Code | Device | Manf | Base | Package | Leaded Equivalent/Data |
|---------------|-------------|------|------|---------|------------------------------|
| R | BA895 | Sie | I | SCD80 | |
| R | BA585 | Sie | I | SOD123 | pin diode 50mA max |
| R | RSX101VA-30 | Roh | I | TUMD2 | schottky diode 1A 30V |
| R (yellow) | BA597 | Sie | I | SOD323 | UHF pin diode 100mA max |
| R (white) | BA595 | Sie | I | SOD323 | UHF pin diode 50mA max |
| R1 | BFR93 | SGS | N | SOT23 | BFR91 |
| R1 | HSMS-8101 | HP | K | SOT23 | 10-14GHz schottky mixer |
| R1 | UMT4401 | Rho | N | SC70 | 2N4401 |
| R1 | BZX84C4V7T | Dio | C | SOT523 | zener 150mW 4.7V |
| R1A | SST3904 | Rho | N | SOT23 | 2N3904 |
| R1A | UMT3904 | Rho | N | SC70 | 2N3904 |
| R1A | MMST3904 | Rho | N | SC59 | 2N3904 |
| R1G | SSTA06 | Rho | N | SOT23 | MPSA06 |
| R1G | MMSTA06 | Rho | N | SC59 | MPSA06 |
| R1H | SSTA05 | Rho | N | SOT23 | MPSA05 |
| R1J | SST6427 | Rho | N | SOT23 | |
| R1K | MMST6428 | Rho | N | SC59 | |
| R1M | SSTA13 | Rho | N | SOT23 | MPSA13 |
| R1M | MMSTA13 | Rho | N | SC59 | MPSA13 |
| R1N | SSTA14 | Rho | N | SOT23 | MPSA14 |
| R1N | MMSTA14 | Rho | N | SC59 | MPSA14 |
| R1O | MMST5088 | Rho | N | SC59 | 2N5088 |
| R1P | SST2222A | Rho | N | SOT23 | 2N2222A |
| R1P | UMT2222A | Rho | N | SC70 | 2N2222A |
| R1P | MMST2222A | Rho | N | SC59 | 2N2222A |
| R2 | BFR93A | Phi | N | SOT23 | BFR91A |
| R2 | 2SC2351P | Nec | N | SOT23 | npn RF fT 4.5 GHz hfe 40-120 |
| R2 | 2SC4225 | Nec | N | SOT323 | npn RF fT 4GHz hfe 40-120 |

| | | | | | |
|-----|------------|-----|----|--------|-------------------------------|
| R2 | BZX84C5V1T | Dio | C | SOT523 | zener 150mW 5V1V |
| R2A | SST3906 | Rho | N | SOT23 | 2N3906 |
| R2A | UMT3906 | Rho | N | SC70 | 2N3906 |
| R2A | MMST3906 | Rho | N | SC59 | 2N3906 |
| R2B | MMST2907 | Rho | N | SC59 | 2N2907 |
| R2F | SST2907A | Rho | N | SOT23 | 2N2907A |
| R2F | UMT2907A | Rho | N | SC70 | 2N2907A |
| R2F | MMST2907A | Rho | N | SC59 | 2N2907A |
| R2G | SSTA56 | Rho | N | SOT23 | MPSA56 |
| R2G | MMSTA56 | Rho | N | SC59 | MPSA56 |
| R2K | MMST8598 | Rho | N | SC59 | |
| R2O | MMST5087 | Rho | N | SC59 | |
| R2P | MMST5086 | Rho | N | SC59 | |
| R2T | SST4403 | Rho | N | SOT23 | 2N4403 |
| R2T | UMT4403 | Rho | N | SC70 | 2N4403 |
| R2T | MMST4403 | Rho | N | SC59 | 2N4403 |
| R2V | MMSTA64 | Rho | N | SC59 | MPSA64 |
| R2X | SST4401 | Rho | N | SOT23 | 2N4401 |
| R2X | MMST4401 | Rho | N | SC59 | 2N4401 |
| R3 | 2SC2351Q | Nec | N | SOT23 | npn RF fT 4.5 GHz hfe 100-200 |
| R3 | 2SC4225 | Nec | N | SOT323 | npn RF fT 4GHz hfe 100-200 |
| R3 | BZX84C5V6T | Dio | C | SOT523 | zener 150mW 5.6V |
| R3B | SST918 | Rho | N | SOT23 | 2N918 |
| R3B | MMST918 | Rho | N | SC59 | 2N918 |
| R4 | BFR93R | Tfk | R | | BFR91 |
| R4 | 2SC4092 | Nec | WQ | SOT143 | npn RF fT 6GHz hfe 40-120 |
| R4 | BZX84C6V2T | Dio | C | SOT523 | zener 150mW 6.2V |
| R5 | HSMS-8205 | HP | S | SOT143 | separate pair HSMS-8101 |
| R5 | BFR93AR | SGS | R | SOT23R | BFR91A |
| R5 | 2SC4092 | Nec | WQ | SOT143 | npn RF fT 6GHz hfe 100-200 |
| R5 | BZX84C6V8T | Dio | C | SOT523 | zener 150mW 6.8V |
| R6 | BZX84C7V5T | Dio | C | SOT523 | zener 150mW 7.5V |
| R6A | 2SC4187 | Nec | N | SOT323 | npn RF fT 4GHz hfe 50-100 |
| R6B | 2SC4187 | Nec | N | SOT323 | npn RF fT 4GHz hfe 80-160 |
| R6C | 2SC4187 | Nec | N | SOT323 | npn RF fT 4GHz hfe 125-250 |

| | | | | | |
|-----|------------|------|----|--------|-------------------------------|
| R7 | HSMS-8207 | HP | RQ | SOT145 | HSMS-8101 ring quad mixer |
| R7 | BFR106 | Phi | N | SOT23 | BFR96S |
| R7 | BZX84C8V2T | Dio | C | SOT523 | zener 150mW 8.2V |
| R8 | BFG93A | Sie | TQ | SOT143 | BFG90 |
| R8 | BZX84C9V1T | Dio | C | SOT523 | zener 150mW 9.1V |
| R9 | BZX84C10T | Dio | C | SOT523 | zener 150mW 10V |
| R9 | 1SS393 | Tosh | B | SC70 | dual cc schottky 40V 0.1A |
| R9 | 1SS392 | Tosh | B | SC59 | dual cc schottky 40V 0.1A |
| R10 | MMST5088 | Roh | N | SMT3 | 2N5088 |
| R13 | 2SC4885 | Nec | WQ | SOT143 | npn RF fT 3.5GHz |
| R22 | 2SC3356 | Nec | N | SOT23 | npn RF fT 7GHz 20V 0.2W |
| R23 | 2SC3356Q | Nec | N | SOT23 | npn RF fT 7GHz hfe 50-100 |
| R23 | 2SC4226 | Nec | N | SOT323 | npn RF fT 4.5 GHz hfe 40-80 |
| R24 | 2SC3356R | Nec | N | SOT23 | npn RF fT 7GHz hfe 80-160 |
| R24 | 2SC4226 | Nec | N | SOT323 | npn RF fT 4.5 GHz hfe 70-140 |
| R25 | 2SC3356S | Nec | N | SOT23 | npn RF fT 7GHz hfe 125-250 |
| R25 | 2SC4226 | Nec | N | SOT323 | npn RF fT 4.5 GHz hfe 125-250 |
| R26 | 2SC4093Q | Nec | WQ | SOT143 | npn RF fT 6.5 GHz hfe 50-100 |
| R26 | 2SC5011Q | Nec | WQ | SOT343 | npn RF fT 6.5 GHz hfe 50-100 |
| R27 | 2SC4093R | Nec | WQ | SOT143 | npn RF fT 6.5 GHz hfe 80-160 |
| R27 | 2SC5011R | Nec | WQ | SOT343 | npn RF fT 6.5 GHz hfe 80-160 |
| R28 | 2SC4093S | Nec | WQ | SOT143 | npn RF fT 6.5 GHz hfe 125-250 |
| R28 | 2SC5011S | Nec | WQ | SOT343 | npn RF fT 6.5 GHz hfe 125-250 |
| R32 | 2SC3583 | Nec | N | SOT23 | npn RF fT 9GHz @ 20mA |
| R33 | 2SC3583Q | Nec | N | SOT23 | npn RF fT 9GHz hfe 50-100 |
| R33 | 2SC4227 | Nec | N | SOT323 | npn RF fT 7 GHz hfe 40-90 |
| R34 | 2SC3583R | Nec | N | SOT23 | npn RF fT 9GHz hfe 80-160 |
| R34 | 2SC4227 | Nec | N | SOT323 | npn RF fT 7 GHz hfe 70-150 |
| R35 | 2SC3583S | Nec | N | SOT23 | npn RF fT 9GHz hfe 125-250 |
| R35 | 2SC4227 | Nec | N | SOT323 | npn RF fT 7 GHz hfe 110-240 |
| R36 | 2SC4094Q | Nec | WQ | SOT143 | npn RF fT 9GHz hfe 50-100 |
| R36 | 2SC5012 | Nec | WQ | SOT343 | npn RF fT 9GHz hfe 50-100 |
| R37 | 2SC4094R | Nec | WQ | SOT143 | npn RF fT 9GHz hfe 80-160 |
| R37 | 2SC5012 | Nec | WQ | SOT343 | 2SC4094 but min-mold pkg |
| R38 | 2SC4094S | Nec | WQ | SOT143 | npn RF fT 9GHz hfe 125-250 |

| | | | | | |
|-----------------|------------|-----|----|--------|-------------------------------------|
| R38 | 2SC5012 | Nec | WQ | SOT343 | npn RF fT 9GHz hfe 125-250 |
| R42 | 2SC3585 | Nec | N | SOT23 | npn RF fT 10GHz @ 10mA |
| R43 | 2SC3585Q | Nec | N | SOT23 | npn RF fT 10GHz hfe 50-100 |
| R43 | 2SC4228 | Nec | N | SOT323 | npn RF fT 8.5GHz hfe 50-100 |
| R44 | 2SC3585R | Nec | N | SOT23 | npn RFfT 10GHz hfe 80-160 |
| R44 | 2SC4228 | Nec | N | SOT323 | npn RF fT 8.5GHz hfe 80-160 |
| R45 | 2SC3585S | Nec | N | SOT23 | npn RF fT 10GHz hfe 125-250 |
| R45 | 2SC4228 | Nec | N | SOT323 | npn RF fT 8.5GHz hfe 125-250 |
| R46 | 2SC4095Q | Nec | WQ | SOT143 | npn fT10GHz |
| R46 | 2SC5013Q | Nec | WQ | SOT343 | npn fT10GHz |
| R47 | 2SC4095R | Nec | WQ | SOT143 | npn fT10GHz |
| R47 | 2SC5013R | Nec | WQ | SOT343 | npn fT10GHz |
| R48 | 2SC4095S | Nec | WQ | SOT143 | npn fT10GHz |
| R48 | 2SC5013S | Nec | WQ | SOT343 | npn fT10GHz |
| R62 | 2SC3663 | Nec | N | SOT23 | npn RF fT 4GHz @1mA |
| R64 | 2SC4091 | Nec | WQ | | npn RF fT 4GHz @1mA |
| R66 | 2SC4091Q | Nec | WQ | SOT143 | npn RF fT 4GHz hfe 50-100 |
| R67 | 2SC4091R | Nec | WQ | SOT143 | npn RF fT 4GHz hfe 80-160 |
| R68 | 2SC4091S | Nec | WQ | SOT143 | npn RF fT 4GHz hfe 125-250 |
| R97 | SSTIS97 | Rho | N | SOT23 | TIS97 |
| RA | BFQ81 | Sie | N | SOT23 | BFQ69 npn fT 5.8GHz |
| RAxx | RGF1A | Vis | I | DO214 | fast rectifier 50V 1A xx date code |
| RA _s | BF772 | Sie | X | SOT143 | npn RF TV tuners |
| RAT | SSTA28 | Rho | N | SOT23 | MPSA28 |
| RAT | MMSTA28 | Rho | N | SC59 | MPSA28 |
| RAV | MMST8908 | Rho | N | SC59 | |
| RBR | SST6838 | Rho | N | SOT23 | |
| RB | MSC1621 | Mot | H | | npn sw 20V 200MHz |
| RB | BZX84C2V4T | Dio | C | SOT523 | zener 150mW 2.4V |
| RBxx | RGF1B | Vis | I | DO214 | fast rectifier 100V 1A xx date code |
| RB _s | BF771 | Sie | N | SOT23 | npn RF fT 8GHz |
| RB _s | BF771W | Sie | N | SOT323 | npn RF fT 8GHz |
| RC | BZX84C2V7T | Dio | C | SOT523 | zener 150mW 2.7V |
| RC _s | BFP193 | Sie | X | SOT143 | BFQ82 npn fT 8GHz |
| RC _s | BFP193W | Sie | WQ | SOT343 | BFQ82 npn fT 8GHz |

| | | | | | |
|------|------------|-----|----|--------|-------------------------------------|
| RCs | BFR193 | Sie | N | SOT23 | BFQ82 npn fT 8GHz |
| RCs | BFR193T | Sie | N | SC75 | BFQ82 npn fT 8GHz |
| RD | BZX84C3V0T | Dio | C | SOT523 | zener 150mW 3.0V |
| RDxx | RGF1D | Vis | I | DO214 | fast rectifier 200V 1A xx date code |
| RDs | BFP180 | Sie | X | SOT143 | npn RF 8V 4mA fT 7GHz |
| RDs | BFP180W | Sie | WQ | SOT343 | npn RF 8V 4mA fT 7GHz |
| RDs | BFR180 | Sie | N | SOT23 | npn RF 8V 4mA fT 7GHz |
| RDs | BFR180W | Sie | N | SOT323 | npn RF 8V 4mA fT 7GHz |
| RE | BZX84C2V4T | Dio | C | SOT523 | zener 150mW 3.3V |
| REs | BFS480 | Sie | DJ | SOT363 | dual RF npn fT 7GHz |
| REs | BFR280 | Sie | N | SOT23 | npn RF 8V 8mA fT 7.5GHz |
| REs | BFR280W | Sie | N | SOT323 | npn RF 8V 8mA fT 7.5GHz |
| REs | BFP280 | Sie | X | SOT143 | npn RF 8V 8mA fT 7.5GHz |
| REs | BFP280W | Sie | WQ | SOT343 | npn RF 8V 8mA fT 7.5GHz |
| RE | 2SC3357 | Nec | P | SOT89 | npn RF 1.2W fT 6.5GHz |
| RF | BZX84C3V6T | Dio | C | SOT523 | zener 150mW 3.6V |
| RFs | BFR181 | Sie | N | SOT23 | npn RF 12V 20mA fT 8GHz |
| RFs | BFP181 | Sie | X | SOT143 | npn RF 12V 20mA fT 8GHz |
| RFs | BFP181W | Sie | WQ | SOT343 | npn RF 12V 20mA fT 8GHz |
| RFs | BFS481 | Sie | DJ | SOT363 | Dual BFR181 |
| RF | 2SC3357 | Nec | P | SOT89 | npn RF 1.2W fT 6.5GHz |
| RFQ | SST6839 | Rho | N | SOT23 | |
| RG | BZX84C3V9T | Dio | C | SOT523 | zener 150mW 3.9V |
| RGxx | RGF1G | Vis | I | DO214 | fast rectifier 400V 1A xx date code |
| RGs | BFR182 | Sie | N | SOT23 | npn RF12V 35mA fT 8GHz |
| RGs | BFR182W | Sie | N | SOT323 | npn RF12V 35mA fT 8GHz |
| RGs | BFP182 | Sie | X | SOT143 | npn RF12V 35mA fT 8GHz |
| RGs | BFP182W | Sie | WQ | SOT343 | npn RF12V 35mA fT 8GHz |
| RGs | BFR182T | Sie | N | SC75 | npn RF12V 35mA fT 8GHz |
| RGs | BFS482 | Sie | DJ | SOT363 | Dual BFR182 |
| RH | BZX84C4V3T | Dio | C | SOT523 | zener 150mW 4.3V |
| RHs | BFR183 | Sie | N | SOT23 | npn RF 12V 65mA fT 8GHz |
| RHs | BFR183W | Sie | N | SOT323 | npn RF 12V 65mA fT 8GHz |
| RHs | BFR183T | Sie | N | SC75 | npn RF 12V 65mA fT 8GHz |
| RHs | BFP183 | Sie | X | SOT143 | npn RF 12V 65mA fT 8GHz |

| | | | | | |
|------|-----------|-----|----|--------|--------------------------------------|
| RHs | BFP183W | Sie | WQ | SOT343 | nnp RF 12V 65mA fT 8GHz |
| RH | 2SC3357 | Nec | P | SOT89 | nnp RF 1.2W fT 6.5GHz |
| RHs | BFS483 | Sie | DJ | SOT363 | Dual BFR183 npn RF |
| RI | BFP196 | Sie | X | SOT143 | pnp RF 12V 100mA Ft 7.5GHz |
| RJxx | RGF1J | Vis | I | DO214 | fast rectifier 600V 1A xx date code |
| RKs | BFP194 | Sie | X | SOT143 | pnp RF 15V 100mA Ft 5GHz |
| RKs | BFR194 | Sie | N | SOT233 | pnp RF 15V 100mA Ft 5GHz |
| RKM | RK7002 | Rho | | SOT23 | |
| RK | 2SC3357 | Nec | P | SOT89 | nnp RF 1.2W fT 6.5GHz |
| RKxx | RGF1K | Vis | I | DO214 | fast rectifier 800V 1A xx date code |
| RMxx | RGF1M | Vis | I | DO214 | fast rectifier 1000V 1A xx date code |
| RP | CMDZ8L2 | CSC | I | SOD323 | zener 250mW Iz 0.5mA 8.2V |
| RR | BBY59-02V | Inf | I | SC79 | hyperabrupt varicap 7-28pF |
| RR | BFR93P | Sie | N | SOT23 | BFR91 |
| RVX | MMST918 | Roh | N | SC59 | 2N918 |
| RVZ | MMST4126 | Rho | N | SC59 | 2N4126 |
| RW | BFR194 | Sie | N | | pnp RF amp 1.5GHz |
| RZC | SST4124 | Rho | N | SOT23 | 2N4124 |
| RZC | MMST4124 | Rho | N | SC59 | 2N4124 |

Last Updated on 102/07/2006

By GM4PMK

GM4PMK's SMD Codebook

Codes beginning with 'S'

| Code | Device | Manf | Base | Package | Leaded Equivalent/Data |
|---------------|------------|------|------|---------|-----------------------------|
| S (blue) | BA592 | Sie | I | SOD323 | BA282 |
| S (red) | BB640 | Sie | I | SOD323 | 70-3pF varicap |
| S (white) | BB535 | Sie | I | SOD323 | 18-2pF varicap |
| S (yellow) | BB639 | Sie | I | SOD323 | 39-2.7pF varicap |
| S | BAP64-02 | Phi | I | SOD523 | 3GHz pin diode |
| S | BB515 | Sie | I | SOD123 | varicap 17.7pf @ 1V 30V max |
| S0 | HSMP-3880 | HP | C | SOT23 | pin sw diode |
| S1 | HSMP-3881 | HP | K | SOT23 | pin sw diode |
| S1 | BBY31 | Phi | C | SOT23 | BB405 |
| S1A | S1A | Fch | I | DO214 | 1N4001 |
| S1B | S1B | Fch | I | DO214 | 1N4002 |
| S1D | S1D | Fch | I | DO214 | 1N4003 |
| S1G | S1G | Fch | I | DO214 | 1N4004 |
| S1J | S1J | Fch | I | DO214 | 1N4005 |
| S2 | BBY40 | Phi | C | SOT23 | BB809 |
| S2 | BFQ31 | Zet | N | | npn vhf 15V 0.1A |
| S3 | BFQ31R | Zet | R | | npn vhf 15V 0.1A |
| S3 | BBY51 | Sie | B | SOT23 | dual cc varicap |
| S3 | 1SS388 | Tosh | I | ESC | low fwd V schottky 10V 0.1A |
| S3 | 1SS357 | Tosh | I | USC | low fwd V schottky 10V 0.1A |
| S4 | BFQ31A | Zet | N | | npn vhf 15V 0.1A |
| S4 | 1SS389 | Tosh | I | ESC | low fwd V schottky 40V 0.1A |
| S4 | 1SS367 | Tosh | I | USC | low fwd V schottky 40V 0.1A |
| S5 | BFQ31AR | Zet | R | | npn vhf 15V 0.1A |
| S5 | BBY52 | Sie | B | SOT23 | dual cc varicap |
| S5 | BAT15-099 | Sie | NQ | SOT143 | Dual BAT15 schottky |
| S6 | BAT15-099R | Sie | DQ | | Ring quad BAT15 schottky |

| | | | | | |
|-----|------------|------|----|---------|-------------------------------|
| S6 | BF510 | Phi | G | | BF410A |
| S6 | SD103AW | Vis | I | SOD123 | schottky diode |
| S6 | 1PS76SB62 | Phi | I | SOD323 | 40V 20mA low C schottky diode |
| S7 | BF511 | Phi | G | | BF410B |
| S7 | SD103BW | Vis | I | SOD123 | schottky diode |
| S7 | SST177 | Tem | F | SOT23 | J177 p-ch analog sw jfet |
| S7s | BBY53-05 | Sie | B | SOT23 | dual cc varicap |
| S7s | BBY53-05W | Sie | B | SOT323 | dual cc varicap |
| S7 | BAT114-099 | Sie | NQ | SOT143 | Dual schottky |
| S8 | BF512 | Phi | G | | BF410C |
| S8 | SD103CW | Vis | I | SOD123 | schottky diode |
| S8 | BAT14-099 | Sie | NQ | SOT143 | Dual schottky |
| S9 | BAT14-099R | Sie | DQ | | Quad crossover ring schottky |
| S9 | 1SS395 | Tosh | C | SC70 | low fwd V schottky 10V 0.1A |
| S9 | 1SS394 | Tosh | C | SC59 | low fwd V schottky 10V 0.1A |
| S9 | BF513 | Phi | G | | BF410D |
| S12 | BBY39 | Phi | B | SOT23 | 2x BBY31 |
| S14 | SST5114 | Sil | F | SOT23 | 2N5114 |
| S15 | SST5115 | Sil | F | SOT23 | 2N5115 |
| S16 | SST5116 | Sil | F | SOT23 | 2N5116 |
| S16 | ZHCS1006 | Zet | C | SOT23 | 60V 1A schottky diode |
| S56 | ZHCS506 | Zet | C | SOT23 | 60V 0.5A schottky diode |
| S70 | SST270 | Sil | F | SOT23 | J270 p-ch jfet |
| S71 | SST271 | Sil | F | SOT23 | J271 p-ch jfet |
| S74 | SST174 | Sil | F | SOT23 | J174 p-ch fet |
| S75 | SST175 | Sil | F | SOT23 | J175 p-ch fet |
| S76 | SST176 | Sil | F | SOT23 | J176 p-ch fet |
| S76 | ZHCS756 | Zet | C | SOT23 | 60V 0.75A schottky diode |
| S77 | SST177 | Sil | F | SOT23 | J177 p-ch fet |
| SA | BSS123 | Sie | M | SOT23 | n-ch mosfet 100V 0.17A |
| SA | SD101AW | Vis | I | SOD123 | schottky diode |
| SBp | BB200 | Phi | B | SOT 23 | Low Voltage Varicap dual |
| SB | SD101BW | Vis | I | SOD123 | schottky diode |
| SC | SD101CW | Vis | I | SOD123 | schottky diode |
| SCp | BB201 | Phi | b | SOT 223 | Low Voltage Varicap dual |

| | | | | | |
|-----|---------|-----|---|--------|-----------------------------|
| SD | BSS284 | Sie | M | SOT23 | p-ch mosfet 50V 0.13A |
| SE | 2SC4703 | Nec | P | | npn RF 1.8W fT 6GHz |
| SF | 2SC4703 | Nec | P | | npn RF 1.8W fT 6GHz |
| SFs | BB804 | Sie | A | SOT23 | dual 45-26pF cc VHF varicap |
| SF2 | BB804W | Phi | B | SOT 23 | VHF Varicap dual |
| SF5 | BB804 | Phi | B | SOT 23 | VHF Varicap dual |
| sSG | SN7002 | Sie | M | SOT23 | n-ch mosfet 60V 0.19A |
| SH | 2SC4703 | Nec | P | | npn RF 1.8W fT 6GHz |
| SH2 | BB814 | Sie | A | SOT23 | dual 45-20pF cc varicap |
| SM | BB914 | Sie | B | SOT23 | dual varicap for FM radio |
| SR | BSS131 | Sie | M | SOT23 | n-ch mosfet 240V 0.1A |
| SP | BSS84 | Sie | M | SOT23 | p-ch mosfet 50V 0.13A |
| SP | CMDZ9L1 | CSC | I | SOD323 | zener 250mW Iz 0.5mA 9.1V |
| SS | BSS138 | Sie | M | SOT23 | n-ch mosfet 50V 0.22A |
| ST | BSS139 | Sie | M | SOT23 | n-ch dep mosfet 250V 0.04A |

Last Updated on 10/07/2006

By GM4PMK

GM4PMK's SMD Codebook

Codes beginning with 'T'

| Code | Device | Manf | Base | Package | Leaded Equivalent/Data |
|------|-----------|------|------|---------|--------------------------|
| T | BAR67-02W | Sie | I | SOD80 | |
| T | RN15G | Roh | I | VMD2 | HF pin diode |
| T | BB811 | Sie | I | SOD123 | 9.8pF @ 1V 30V max |
| T0 | TP0601T | Tem | M | | p-ch mosfet 60V 0.12A |
| T0 | HSMS-2860 | HP | C | SOT23 | zero bias schottky diode |
| T0 | HSMS-286B | HP | C | SOT323 | zero bias schottky diode |
| T1 | BCX17 | Phi | N | SOT23 | BC327 |
| T1p | BCX17 | Phi | N | SOT23 | BC327 |
| T1t | BCX17 | Phi | N | SOT23 | BC327 |
| T1 | IMT1A | Roh | DA | | 2 x 2SA1037AK pnp |
| T1 | BSS63 | Mot | N | SOT23 | pnp 100V 0.1A |
| T1 | GDZ5.1B | Vis | I | SOD323 | zener 200mW 5.1V |
| T2 | BCX18 | Phi | N | SOT23 | BC328 |
| T2p | BCX18 | Phi | N | SOT23 | BC328 |
| T2t | BCX18 | Phi | N | SOT23 | BC328 |
| T2 | IMT2A | Roh | DB | | 2 x 2SA1037AK pnp |
| T2 | HSMS-286C | HP | D | SOT323 | dual series HSMS-286B |
| T2 | HSMS-2862 | HP | D | SOT23 | dual series HSMS-286B |
| T2 | GDZ5.6B | Vis | I | SOD323 | zener 200mW 5.6V |
| T2L | 2SC5661 | Roh | N | VMT3 | RF 18V 50mA ft 1.5GHz |
| T3 | BSS63 | Phi | N | SOT23 | BSS68 |
| T3 | HSMS-286E | HP | A | SOT323 | ca dual HSMS-286B |
| T3 | HSMS-2863 | HP | A | SOT23 | ca dual HSMS-286B |
| T3 | GDZ6.2B | Vis | I | SOD323 | zener 200mW 6.2V |
| T4 | BCX17R | Phi | R | SOT23R | BC327 |
| T4 | HSMS-286F | HP | B | SOT323 | cc dual HSMS-286B |
| T4 | HSMS-2864 | HP | B | SOT23 | cc dual HSMS-286B |
| T4 | MBD330DW | Mot | DL | SOT363 | dual UHF schottky diode |
| T4 | GDZ6.8B | Vis | I | SOD323 | zener 200mW 6.8V |

| | | | | | |
|-----|-----------|------|---|--------|---------------------------------------|
| T4 | ZUMTS17 | Zet | N | SOT323 | npn RF ft 1.3 GHz 15V 25mA hfe 25-150 |
| T4H | ZUMTS17H | Zet | N | SOT323 | npn RF ft 1.3 GHz 15V 25mA hfe 70-200 |
| T5 | HSMS-2865 | HP | S | SOT143 | separate dual HSMS-286B |
| T5 | BCX18R | Phi | R | SOT23R | BC328 |
| T5 | GDZ7.5B | Vis | I | SOD323 | zener 200mW 7.51V |
| T6 | BSS63R | Phi | R | SOT23R | BSS68 |
| T6 | GDZ8.2B | Vis | I | SOD323 | zener 200mW 8.2V |
| T7 | BSR15 | SGS | N | SOT23 | 2N2907 |
| T7 | GDZ9.1B | Vis | I | SOD323 | zener 200mW 9.1V |
| T7p | BSR15 | Phi | N | SOT23 | 2N2907 |
| T7t | BSR15 | Phi | N | SOT23 | 2N2907 |
| T8 | BSR16 | SGS | N | SOT23 | 2N2907A |
| T8 | GDZ10B | Vis | I | SOD323 | zener 200mW 10V |
| T8p | BSR16 | Phi | N | SOT23 | 2N2907A |
| T8t | BSR16 | Phi | N | SOT23 | 2N2907A |
| T9 | GDZ11B | Vis | I | SOD323 | zener 200mW 11V |
| T9 | 1SS396 | Tosh | B | SC59 | dual series schottky 40V 0.1A |
| T32 | 2SC4182 | Nec | N | SOT23 | npn RF fT 1.1GHz @3V hfe 60-105 |
| T33 | 2SC4182 | Nec | N | SOT23 | npn RF fT 1.1GHz @3V hfe 85-150 |
| T34 | 2SC4182 | Nec | N | SOT23 | npn RF fT 1.1GHz @3V hfe 120-220 |
| T42 | 2SC3545P | Nec | N | | npn RF fT 2GHz hfe 50-100 |
| T42 | 2SC4184 | Nec | N | SOT323 | npn RF fT1.8GHz hfe 40-80 |
| T43 | 2SC3545Q | Nec | N | | UHF osc/mix fT 2GHz hfe 70-140 |
| T43 | 2SC4184 | Nec | N | SOT323 | npn fT1.8GHz hfe 60-120 |
| T44 | 2SC3545R | Nec | N | | npn RF fT 2GHz hfe 120-250 |
| T44 | 2SC4184 | Nec | N | SOT323 | npn RF fT1.8GHz hfe 100-200 |
| T61 | ZUMT617 | Zet | N | SOT323 | npn 15V 1.5A sw |
| T62 | ZUMT618 | Zet | N | SOT323 | npn 20V 1.25A sw |
| T62 | 2SC3841P | Nec | N | SOT23 | npn RF fT 4GHz hfe 40-80 |
| T62 | 2SC4186 | Nec | N | SOT323 | npn RF fT 4GHz hfe 40-80 |
| T63 | 2SC3841Q | Nec | N | SOT23 | npn RF fT 4GHz hfe 60-120 |
| T63 | 2SC4186 | Nec | N | SOT323 | npn RF fT 4GHz hfe 60-120 |
| T63 | ZUMT619 | Zet | N | SOT323 | npn 50V 1.0A sw |
| T64 | 2SC3841R | Nec | N | SOT23 | npn RF fT 4GHz hfe 100-200 |

| | | | | | |
|-----|---------|-----|----|--------|------------------------------|
| T64 | 2SC4186 | Nec | N | SOT323 | nnp RF fT 4GHz hfe 100-200 |
| T71 | BSR15R | SGS | R | SOT23R | 2N2907 |
| T71 | ZUMT717 | Zet | N | SOT323 | pnp 12V 1.5A sw |
| T72 | 2SC4568 | Nec | N | SOT23 | nnp RF ft 5.5GHz hfe 40-80 |
| T72 | 2SC4570 | Nec | N | SOT323 | nnp RF ft 5.5GHz hfe 40-80 |
| T72 | ZUMT718 | Zet | N | SOT323 | pnp 20V 1.0A sw |
| T73 | 2SC4568 | Nec | N | SOT23 | nnp RF ft 5.5GHz hfe 60-120 |
| T73 | 2SC4570 | Nec | N | SOT323 | nnp RF ft 5.5GHz hfe 60-120 |
| T73 | ZUMT719 | Zet | N | SOT323 | pnp 40V 1.0A sw |
| T74 | 2SC4568 | Nec | N | SOT23 | nnp RF ft 5.5GHz hfe 100-200 |
| T74 | 2SC4570 | Nec | N | SOT323 | nnp RF ft 5.5GHz hfe 100-200 |
| T75 | 2SC4569 | Nec | N | SOT23 | nnp RF fT 5GHz hfe 40-80 |
| T75 | 2SC4571 | Nec | N | SOT323 | nnp RF fT 5GHz hfe 40-80 |
| T76 | 2SC4569 | Nec | N | SOT23 | nnp RF fT 5GHz hfe 60-120 |
| T76 | 2SC4571 | Nec | N | SOT323 | nnp RF fT 5GHz hfe 60-120 |
| T77 | 2SC4569 | Nec | N | SOT23 | nnp RF fT 5GHz hfe 100-200 |
| T76 | 2SC4571 | Nec | N | SOT323 | nnp RF fT 5GHz hfe 100-200 |
| T78 | 2SC5507 | Nec | WQ | SOT343 | nnp RF fT 25GHz 3V 10mA |
| T79 | 2SC5508 | Nec | WQ | SOT343 | nnp RF fT 25GHz 3V 30mA |
| T80 | 2SC5507 | Nec | WQ | SOT343 | nnp RF fT 17GHz 3V 90mA |
| T81 | BSR16R | SGS | R | SOT23R | 2N2907A |
| T82 | 2SC4954 | Nec | N | SOT23 | nnp RF fT12GHz @3V 5mA |
| T82 | 2SC4956 | Nec | WQ | SOT143 | nnp RF fT 12GHz @3V 5mA |
| T82 | 2SC4958 | Nec | N | SOT323 | nnp RF fT 12GHz @3V 5mA |
| T82 | 2SC5014 | Nec | WQ | SOT343 | nnp RF fT 12GHz @3V 5mA |
| T83 | 2SC4955 | Nec | N | SOT23 | nnp RF fT 12GHz @3V 10mA |
| T83 | 2SC4957 | Nec | WQ | SOT143 | nnp RF fT 12GHz @3V 10mA |
| T83 | 2SC4959 | Nec | N | SOT323 | nnp RF fT 12GHz @3V 10mA |
| T83 | 2SC5015 | Nec | WQ | SOT343 | nnp RF fT 12GHz @3V 10mA |
| T84 | 2SC5177 | Nec | N | SOT23 | nnp RF fT 13GHz @2V 7mA |
| T84 | 2SC5179 | Nec | N | SOT323 | nnp RF fT 13GHz @2V 7mA |
| T84 | 2SC5178 | Nec | WQ | SOT143 | nnp RF fT 13GHz @2V 7mA |
| T84 | 2SC5180 | Nec | WQ | SOT343 | nnp RF fT 13GHz @2V 7mA |
| T86 | 2SC5182 | Nec | N | SOT23 | nnp RF fT 12GHz @2V 20mA |
| T86 | 2SC5183 | Nec | WQ | SOT143 | nnp RF fT 12GHz @2V 20mA |

| | | | | | |
|------|-----------|-----|----|--------|----------------------------|
| T86 | 2SC5184 | Nec | N | SOT323 | npn RF fT 12GHz @2V 20mA |
| T86 | 2SC5183 | Nec | WQ | SOT343 | npn RF fT 12GHz @2V 20mA |
| T88 | 2SC5191 | Nec | N | SOT23 | npn RF fT 8.5GHz @3V 20mA |
| T88 | 2SC5192 | Nec | WQ | SOT143 | npn RF fT 8.5GHz @3V 20mA |
| T88 | 2SC5193 | Nec | N | SOT323 | npn RF fT 8.5GHz @3V 20mA |
| T88 | 2SC5193 | Nec | WQ | SOT343 | npn RF fT 8.5GHz @3V 20mA |
| T89 | 2SC5288 | Nec | WQ | SOT143 | npn RF |
| T90 | 2SC5289 | Nec | WQ | SOT143 | npn RF |
| T92 | BSR18A | Fch | N | SOT23 | 2N3904 |
| T92P | BSR18A | Phi | N | SOT23 | 2N3904 |
| T92 | 2SA1977 | Nec | N | SOT23 | pnnp RF fT 8.5GHz |
| T93 | 2SA1978 | Nec | N | SOT23 | pnnp RF fT 8.5GHz |
| TA | 2SC5431EB | Nec | N | SC59 | npn RF fT 4.3GHz 12V 60mA |
| TA | GDZ12B | Vis | I | SOD323 | zener 200mW 12V |
| TB | 2SC5431FB | Nec | N | SC59 | npn RF fT 4.3GHz 12V 60mA |
| TB | GDZ13B | Vis | I | SOD323 | zener 200mW 13V |
| TC | 2SC5432EB | Nec | N | SC59 | npn RF fT 4.5GHz 12V 100mA |
| TC | GDZ15B | Vis | I | SOD323 | zener 200mW 15V |
| TD | 2SC5432FB | Nec | N | SC59 | npn RF fT 4.5GHz 12V 100mA |
| TD | GDZ16B | Vis | I | SOD323 | zener 200mW 16V |
| TE | 2SC5433EB | Nec | N | SC59 | npn RF fT 7GHz 10V 65mA |
| TE | GDZ18B | Vis | I | SOD323 | zener 200mW 18V |
| TF | 2SC5433FB | Nec | N | SC59 | npn RF fT 7GHz 10V 65mA |
| TFX | BAL99 | Mot | V | SOT23 | switching diode |
| TH | 2SC5434EB | Nec | N | SC59 | npn RF fT 8GHz 10V 35mA |
| TH | GDZ20B | Vis | I | SOD323 | zener 200mW 20V |
| TJ | 2SC5434FB | Nec | N | SC59 | npn RF fT 8GHz 10V 35mA |
| TK | 2SC5435EB | Nec | N | SC59 | npn RF fT 12GHz 9V 30mA |
| TK | GDZ22B | Vis | I | SOD323 | zener 200mW 22V |
| TL | 2SC5435FB | Nec | N | SC59 | npn RF fT 12GHz 9V 30mA |
| TL | GDZ24B | Vis | I | SOD323 | zener 200mW 24V |
| TM | GDZ27B | Vis | I | SOD323 | zener 200mW 27V |
| TN | GDZ30B | Vis | I | SOD323 | zener 200mW 30V |
| TN | 2SC5436EB | Nec | N | SC59 | npn RF fT 14GHz 5V 30mA |
| TP | 2SC5436FB | Nec | N | SC59 | npn RF fT 14GHz 5V 30mA |

| | | | | | |
|----|-----------|-----|---|--------|---------------------------|
| TP | GDZ33B | Vis | I | SOD323 | zener 200mW 33V |
| TP | CMDZ10L | CSC | I | SOD323 | zener 250mW Iz 0.5mA 10V |
| TS | 2SC5437EB | Nec | N | SC59 | npn RF fT 9.5GHz 9V 50mA |
| TT | 2SC5437FB | Nec | N | SC59 | npn RF fT 9.5GHz 9V 50mA |
| TT | GDZ36B | Vis | I | SOD323 | zener 200mW 36V |
| TV | 2SC5599 | Nec | N | SC-70 | npn RF fT 5GHz 5.5V 5mA |
| TV | 2SC5600 | Nec | N | SC-59 | npn RF fT 5GHz 5.5V 15mA |
| TV | MMBF112L | Mot | F | SOT23 | RF jfet |
| TW | 2SC5602 | Nec | N | SC-70 | npn RF fT 13.5GHz 6V 5mA |
| TW | 2SC5603 | Nec | N | SC-59 | npn RF fT 13.5GHz 6V 15mA |

Last Updated on 10/07/2006

By GM4PMK

GM4PMK's SMD Codebook

Codes beginning with 'U'

| Code | Device | Manf | Base | Package | Leaded Equivalent/Data |
|------|---------|------|------|------------|-----------------------------|
| U | BB545 | Sie | I | SOD323 | 20-2pF varicap |
| U | BB145 | Phi | I | SOD 523 | Low Voltage Varicap |
| U1 | BCX19 | Mot | N | SOT23 | BC337 |
| U1p | BCX19 | Phi | N | SOT23 | BC337 |
| U1t | BCX19 | Phi | N | SOT23 | BC337 |
| U1 | BGX50A | Sie | BQ | SOT143 | quad ring Si sw diodes |
| U1A | 3SK230A | Nec | UQ | SOT143 | dg RF mosfet |
| U1B | 3SK230B | Nec | UQ | SOT143 | dg RF mosfet |
| U1C | 3SK231C | Nec | UQ | SOT143 | dg RF mosfet |
| U1D | 3SK231D | Nec | UQ | SOT143 | dg RF mosfet |
| U1E | 3SK252E | Nec | UQ | SOT143 | dg RF mosfet |
| U1E | 3SK254E | Nec | UQ | SOT343 | dg RF mosfet |
| U1G | 3SK253G | Nec | UQ | SOT143 | dg RF mosfet |
| U1G | 3SK255G | Nec | UQ | SOT343 | dg RF mosfet |
| U2 | BCX20 | Phi | N | SOT23 | BC338 |
| U2t | BCX20 | Phi | N | SOT23 | BC338 |
| U3 | BSS64 | Phi | N | SOT23 | 120V 0.25A 0.2W |
| U4 | BCX19R | Phi | R | SOT23R | BC337 |
| U5 | BCX20R | Phi | R | SOT23R | BC338 |
| U6 | BSS64R | Phi | R | SOT23R | 120V 0.25A 0.2W |
| U7 | BSR13 | SGS | N | SOT23 | 2N2222 |
| U7 | 3SK320 | Tosh | DW | SC61 | dg GaAsfet |
| U7p | BSR13 | Phi | N | SOT23 | 2N2222 |
| U7t | BSR13 | Phi | N | SOT23 | 2N2222 |
| U8 | BSR14 | SGS | N | SOT23 | 2N2222A |
| U8p | BSR14 | Phi | N | SOT23 | 2N2222A |
| U8t | BSR14 | Phi | N | SOT23 | 2N2222A |
| U16 | 2SC4183 | Nec | N | | npn RF 5V fT1GHz hFE 60-120 |

| | | | | | |
|------|---------|-----|----|--------|--------------------------------|
| U17 | 2SC4183 | Nec | N | | npn RF 5V fT1GHz hFE 90-180 |
| U18 | 2SC4183 | Nec | N | | npn RF 5V fT1GHz hFE 120-240 |
| U21 | 2SC4185 | Nec | N | | npn RF 10V fT2.4GHz hFE 40-80 |
| U22 | 2SC4185 | Nec | N | | npn RF 10V fT2.4GHz hFE 60-120 |
| U23 | 2SC4185 | Nec | N | | npn RF 10V fT2.4GHz hFE 90-180 |
| U55 | 3SK134B | Nec | UQ | SOT143 | dg mosfet |
| U55 | 3SK245 | Nec | UQ | SOT343 | dg mosfet |
| U56 | 3SK134B | Nec | UQ | SOT143 | dg mosfet |
| U56 | 3SK245 | Nec | UQ | SOT343 | dg mosfet |
| U65 | 3SK135A | Nec | UQ | SOT143 | dg mosfet |
| U66 | 3SK135A | Nec | UQ | SOT143 | dg mosfet |
| U71 | BSR13R | SGS | R | SOT23R | 2N2222 |
| U71 | 3SK177 | Nec | UQ | SOT143 | dg GaAsfet Idss 5-15mA |
| U71 | 3SK299 | Nec | UQ | SOT343 | dg GaAsfet Idss 5-15mA |
| U72 | 3SK177 | Nec | UQ | SOT143 | dg GaAsfet Idss 10-25mA |
| U72 | 3SK299 | Nec | UQ | SOT343 | dg GaAsfet Idss 10-25mA |
| U73 | 3SK177 | Nec | UQ | SOT143 | dg GaAsfet Idss 20-35mA |
| U73 | 3SK299 | Nec | UQ | SOT343 | dg GaAsfet Idss 20-35mA |
| U74 | 3SK177 | Nec | UQ | SOT143 | dg GaAsfet Idss 30-40mA |
| U74 | 3SK299 | Nec | UQ | SOT343 | dg GaAsfet Idss 30-40mA |
| U76 | 3SK206 | Nec | UQ | SOT143 | dg GaAsfet Idss 10-25mA |
| U77 | 3SK206 | Nec | UQ | SOT143 | dg GaAsfet Idss 20-35mA |
| U78 | 3SK206 | Nec | UQ | SOT143 | dg GaAsfet Idss 30-50mA |
| U79 | 3SK206 | Nec | UQ | SOT143 | dg GaAsfet Idss 45-80mA |
| U81 | BSR14R | SGS | R | SOT23R | 2N2222A |
| U87 | 3SK176A | Nec | UQ | SOT143 | dg mosfet |
| U88 | 3SK176A | Nec | UQ | SOT143 | dg mosfet |
| U90 | 3SK223 | Nec | UQ | SOT143 | dg mosfet |
| U90 | 3SK243 | Nec | UQ | SOT343 | dg mosfet |
| U91 | 3SK223 | Nec | UQ | SOT143 | dg mosfet |
| U91 | 3SK243 | Nec | UQ | SOT143 | dg mosfet |
| U92 | BSR17A | Fch | N | SOT23 | 2N3904 |
| U92p | BSR17A | Phi | N | SOT23 | 2N3904 |
| U94 | 3SK224D | Nec | UQ | SOT143 | dg mosfet |
| U94 | 3SK244D | Nec | UQ | SOT343 | dg mosfet |

| | | | | | |
|-----|-----------|------|----|--------|-------------------------------|
| U95 | 3SK224E | Nec | UQ | SOT143 | dg mosfet |
| U95 | 3SK244E | Nec | UQ | SOT143 | dg mosfet |
| UB | 2SB852K | Roh | N | | pnP darlington comp 2SD1383K |
| UC | MSC2404-C | Mot | H | | nPN RF 450MHz fT 20V |
| UF | 3SK293 | Tosh | DW | SC61 | dg mosfet UHF amp, 3SK291 |
| UH | 3SK260 | Tosh | DW | SC61 | dg mosfet TV mixer, 3SK151 |
| UI | 3SK259 | Tosh | DW | SC61 | dg mosfet VHF/UHF amp, 3SK253 |
| UK | 3SK294 | Tosh | DW | SC61 | dg mosfet VHF/UHF amp, 3SK292 |
| UN | 3SK274 | Tosh | DW | SC61 | dg GaAsfet UHF amp, 3SK240 |
| UO | 3SK249 | Tosh | DW | SC61 | dg mosfet UHF amp, 3SK232 |
| UP | CMDZ11L | CSC | I | SOD323 | zener 250mW Iz 0.5mA 11V |
| UR | 3SK256 | Tosh | DW | SC61 | dg mosfet UHF amp, 3SK207 |
| UT | 3SK257 | Tosh | DW | SC61 | dg mosfet VHF amp, 3SK225 |
| UU | 3SK258 | Tosh | DW | SC61 | dg mosfet VHF amp, 3SK226 |

*Last Updated on 10/07/2006
By GM4PMK*

GM4PMK's SMD Codebook

Codes beginning with 'V'

| Code | Device | Manf | Base | Package | Leaded Equivalent/Data |
|------|----------|------|------|---------|-------------------------------|
| V01 | VN50300T | Sil | M | | n-ch enh mosfet 500V 22mA |
| V02 | VN0605T | Sil | M | | n-ch enh mosfet 60V/0.18A |
| V04 | VN45350T | Sil | M | | n-ch enh mosfet 450V 20mA |
| V1p | BFT25 | Phi | N | SOT23 | npn RF 5V 6.5mA 2.3GHz |
| V1 | MRF959 | Mot | N | SC75 | npn RF fT 9GHz |
| V1 | DZ23C2V7 | Dio | A | SOT23 | dual cc zener 2.7V 0.3W |
| V1 | 1SV160 | Tosh | B | SC59 | FM AFC varicap 10pF |
| V2 | BFQ67 | Tfk | N | | npn RF fT 7.5 GHz 50mA |
| V2 | DZ23C3V0 | Dio | A | SOT23 | dual cc zener 3.0V 0.3W |
| V3 | BFG67 | Phi | X | SOT143 | npn RF fT 8GHz 50mA |
| V3 | DZ23C3V3 | Dio | A | SOT23 | dual cc zener 3.3V 0.3W |
| V3 | 1SV225 | Tosh | DT | SMINI | 2 x FM tuning varicap 20pF |
| pV3 | BAT54A | Phi | A | SOT23 | dual ca 30V 0.2A schottky |
| tV3 | BAT54A | Phi | A | SOT23 | dual ca 30V 0.2A schottky |
| wV3 | BAT54A | Phi | A | SOT23 | dual ca 30V 0.2A schottky |
| V4 | DZ23C3V6 | Dio | A | SOT23 | dual cc zener 3.6V 0.3W |
| V4 | 1SV228 | Tosh | DT | SMINI | 2 x FM tuning varicap 30pF |
| pV4 | BAT54S | Phi | D | SOT23 | dual series 30V 0.2A schottky |
| tV4 | BAT54S | Phi | D | SOT23 | dual series 30V 0.2A schottky |
| wV4 | BAT54S | Phi | D | SOT23 | dual series 30V 0.2A schottky |
| V5 | BFG197 | Phi | X | SOT143 | npn RF 7.5GHz 100mA |
| V5 | DZ23C3V9 | Dio | A | SOT23 | dual cc zener 3.9V 0.3W |
| V5 | 1SV242 | Tosh | DT | SMINI | 2 x varicap 39pF |
| V6 | DZ23C4V3 | Dio | A | SOT23 | dual cc zener 4.3V 0.3W |
| V7 | DZ23C4V7 | Dio | A | SOT23 | dual cc zener 4.7V 0.3W |
| V8 | DZ23C5V1 | Dio | A | SOT23 | dual cc zener 5.1V 0.3W |
| V9 | DZ23C5V6 | Dio | A | SOT23 | dual cc zener 5.6V 0.3W |
| V10 | DZ23C6V2 | Dio | A | SOT23 | dual cc zener 6.2V 0.3W |
| V11 | 3SK131 | Nec | UQ | SOT143 | dg VHF mosfet |

| | | | | | |
|-----|-----------|-----|----|--------|-------------------------------|
| V11 | 3SK242 | Nec | UQ | SOT343 | dg VHF mosfet |
| V11 | DZZ23C6V8 | Dio | A | SOT23 | dual cc zener 6.8V 0.3W |
| V12 | DZZ23C7V5 | Dio | A | SOT23 | dual cc zener 7.5V 0.3W |
| V12 | 3SK131 | Nec | UQ | SOT143 | dg VHF mosfet |
| V12 | 3SK242 | Nec | UQ | SOT343 | dg VHF mosfet |
| V13 | 3SK131 | Nec | UQ | SOT143 | dg VHF mosfet |
| V13 | ZC932 | Zet | C | SOT23 | 5 - 17pF hyperabrupt varicap |
| V13 | 3SK242 | Nec | UQ | SOT343 | dg VHF mosfet |
| V13 | DZZ23C8V2 | Dio | A | SOT23 | dual cc zener 8.2V 0.3W |
| V14 | ZC931 | Zet | C | SOT23 | 4 -13.5pF hyperabrupt varicap |
| V14 | DZZ23C9V1 | Dio | A | SOT23 | dual cc zener 9.1V 0.3W |
| V15 | ZC930 | Zet | C | SOT23 | 3 - 9pF hyperabrupt varicap |
| V15 | DZZ23C10 | Dio | A | SOT23 | dual cc zener 10V 0.2W |
| V16 | ZC934 | Zet | C | SOT23 | 25 - 95pF hyperabrupt varicap |
| V16 | DZZ23C11 | Dio | A | SOT23 | dual cc zener 11V 0.3W |
| V17 | ZC933 | Zet | C | SOT23 | 12 - 42pF hyperabrupt varicap |
| V17 | DZZ23C12 | Dio | A | SOT23 | dual cc zener 12V 0.3W |
| V18 | DZZ23C13 | Dio | A | SOT23 | dual cc zener 13V 0.3W |
| V19 | DZZ23C15 | Dio | A | SOT23 | dual cc zener 15V 0.3W |
| V20 | DZZ23C16 | Dio | A | SOT23 | dual cc zener 16V 0.3W |
| V21 | 3SK222 | Nec | UQ | SOT143 | dg VHF mosfet |
| V21 | 3SK246 | Nec | UQ | SOT343 | dg VHF mosfet |
| V21 | DZZ23C18 | Dio | A | SOT23 | dual cc zener 18V 0.3W |
| V22 | 3SK222 | Nec | UQ | SOT143 | dg VHF mosfet |
| V22 | 3SK246 | Nec | UQ | SOT343 | dg VHF mosfet |
| V22 | DZZ23C22 | Dio | A | SOT23 | dual cc zener 22V 0.3W |
| V23 | DZZ23C22 | Dio | A | SOT23 | dual cc zener 22V 0.3W |
| V24 | DZZ23C24 | Dio | A | SOT23 | dual cc zener 24V 0.3W |
| V25 | DZZ23C27 | Dio | A | SOT23 | dual cc zener 27V 0.3W |
| V26 | DZZ23C30 | Dio | A | SOT23 | dual cc zener 30V 0.3W |
| V27 | DZZ23C33 | Dio | A | SOT23 | dual cc zener 33V 0.3W |
| V28 | DZZ23C36 | Dio | A | SOT23 | dual cc zener 36V 0.3W |
| V29 | DZZ23C39 | Dio | A | SOT23 | dual cc zener 39V 0.3W |
| V30 | DZZ23C43 | Dio | A | SOT23 | dual cc zener 43V 0.3W |
| V31 | DZZ23C47 | Dio | A | SOT23 | dual cc zener 47V 0.3W |

| | | | | | |
|-----|-----------|-----|---|--------|----------------------------|
| V32 | DZZ23C51 | Dio | A | SOT23 | dual cc zener 51V 0.3W |
| V50 | VP0610T | Sil | M | | p-ch enh mosfet -60V 120mA |
| VB | MSC2295-B | Mot | H | | npn RF 150MHz fT 20V |
| VC | MSC2295-C | Mot | H | | npn RF 150MHz fT 20V |
| VP | CMDZ12L | CSC | I | SOD323 | zener 250mW Iz 0.5mA 12V |

*Last Updated 10/07/2006
By GM4PMK*

GM4PMK's SMD Codebook

Codes beginning with 'W'

| Code | Device | Manf | Base | Package | Leaded Equivalent/Data |
|------|------------|------|------|---------|----------------------------------|
| W0F | TSDF1205RW | Vis | WQ | SOT343R | 12GHz npn 5mA 4V |
| W03 | S503TRW | Vis | UQ | SOT343R | dg mosfet MOSIC 5V uhf tv tuners |
| W04 | S504TRW | Vis | UQ | SOT343R | dg mosfet MOSIC 5V uhf tv tuners |
| W05 | S505TRW | Vis | UQ | SOT343R | dg mosfet MOSIC 5V uhf tv tuners |
| W1 | BZT52B2V4 | Vis | I | SOD123 | 300 mW zener 2% 2.4V |
| W1 | BZT52C2V4 | Vis | I | SOD123 | 300 mW zener 5% 2.4V |
| W1 | BZT52C2V7S | Dio | I | SOD323 | 200mW zener 2.7V |
| W1 | BZX384B2V4 | Vis | I | SOD323 | 200 mW zener 2% 2.4V |
| W1 | BZX384C2V4 | Vis | I | SOD323 | 200 mW zener 5% 2.4V |
| pW1 | BAT54C | Phi | B | SOT23 | dual cc 30V 0.2A schottky |
| tW1 | BAT54C | Phi | B | SOT23 | dual cc 30V 0.2A schottky |
| wW1 | BAT54C | Phi | B | SOT23 | dual cc 30V 0.2A schottky |
| W1s | BFT92 | Sie | N | SOT23 | BFQ51/BFQ76 |
| W1s | BCR10PN | Sie | DP | SOT363 | pnp/npn dig 0.1A 10k+10k |
| W2 | TSDF1220RW | Tfk | WQ | SOT343 | 12GHz npn 6V 20mA |
| W2 | BZT52B2V7 | Vis | I | SOD123 | 300 mW zener 2% 2.7V |
| W2 | BZT52C2V7 | Vis | I | SOD123 | 300 mW zener 5% 2.7V |
| W2 | BZT52C3V0S | Dio | I | SOD323 | 200mW zener 3.0V |
| W2 | BZX384B2V7 | Vis | I | SOD323 | 200 mW zener 2% 2.7V |
| W2 | BZX384C2V7 | Vis | I | SOD323 | 200 mW zener 5% 2.7V |
| W2F | TSDF1220RW | Vis | WQ | SOT343R | 12GHz npn 40mA 6V |
| W3 | BZX84-C2V4 | Phi | C | SOT23 | 0.3W zener 2.4V±5% |
| W3 | BZT52B3V0 | Vis | I | SOD123 | 300 mW zener 2% 3.0V |
| W3 | BZT52C3V0 | Vis | I | SOD123 | 300 mW zener 5% 3.0V |
| W3 | BZT52C3V3S | Dio | I | SOD323 | 200mW zener 3.3V |
| W3 | BZX384B3V0 | Vis | I | SOD323 | 200 mW zener 2% 3.0V |

| | | | | | |
|-----|------------|-----|----|---------|----------------------|
| W3 | BZX384C3V0 | Vis | I | SOD323 | 200 mW zener 5% 3.0V |
| W4 | BZX84-C2V7 | Phi | C | SOT23 | 0.3W zener 2.7V±5% |
| W4 | BZT52B3V3 | Vis | I | SOD123 | 300 mW zener 2% 3.3V |
| W4 | BZT52C3V3 | Vis | I | SOD123 | 300 mW zener 5% 3.3V |
| W4 | BZT52C3V6S | Dio | I | SOD323 | 200mW zener 3.6V |
| W4 | BZX384B3V3 | Vis | I | SOD323 | 200 mW zener 2% 3.3V |
| W4 | BZX384C3V3 | Vis | I | SOD323 | 200 mW zener 5% 3.3V |
| W5 | BZX84-C3V0 | Phi | C | SOT23 | 0.3W zener 3.0V±5% |
| W5 | BZT52B3V6 | Vis | I | SOD123 | 300 mW zener 2% 3.6V |
| W5 | BZT52C3V6 | Vis | I | SOD123 | 300 mW zener 5% 3.6V |
| W5 | BZT52C3V9S | Dio | I | SOD323 | 200mW zener 3.9V |
| W5 | BZX384B3V6 | Vis | I | SOD323 | 200 mW zener 2% 3.6V |
| W5 | BZX384C3V6 | Vis | I | SOD323 | 200 mW zener 5% 3.6V |
| W5F | TSDF1250RW | Vis | WQ | SOT343R | 12GHz npn 60mA 6V |
| W6 | BZX84-C3V3 | Phi | C | SOT23 | 0.3W zener 3.3V±5% |
| W6 | BZT52B3V9 | Vis | I | SOD123 | 300 mW zener 2% 3.9V |
| W6 | BZT52C3V9 | Vis | I | SOD123 | 300 mW zener 5% 3.9V |
| W6 | BZT52C4V3S | Dio | I | SOD323 | 200mW zener 4.3V |
| W6 | BZX384B3V9 | Vis | I | SOD323 | 200 mW zener 2% 3.9V |
| W6 | BZX384C3V9 | Vis | I | SOD323 | 200 mW zener 5% 3.9V |
| W7 | BZX84-C3V6 | Phi | C | SOT23 | 0.3W zener 3.6V±5% |
| W7 | BZT52B4V3 | Vis | I | SOD123 | 300 mW zener 2% 4.3V |
| W7 | BZT52C4V3 | Vis | I | SOD123 | 300 mW zener 5% 4.3V |
| W7 | BZT52C4V7S | Dio | I | SOD323 | 200mW zener 4.7V |
| W7 | BZX384B4V3 | Vis | I | SOD323 | 200 mW zener 2% 4.3V |
| W7 | BZX384C4V3 | Vis | I | SOD323 | 200 mW zener 5% 4.3V |
| W8 | BZX84-C3V9 | Phi | C | SOT23 | 0.3W zener 3.9V±5% |
| W8 | BZV49C3V9 | Zet | O | SOT89 | 1W zener 3.9V±5% |
| W8 | BZT52B4V7 | Vis | I | SOD123 | 300 mW zener 2% 4.7V |
| W8 | BZT52C4V7 | Vis | I | SOD123 | 300 mW zener 5% 4.7V |
| W8 | BZT52C5V1S | Dio | I | SOD323 | 200mW zener 5.1V |
| W8 | BZX384B4V7 | Vis | I | SOD323 | 200 mW zener 2% 4.7V |
| W8 | BZX384C4V7 | Vis | I | SOD323 | 200 mW zener 5% 4.7V |
| W9 | BZX84-C4V3 | Phi | C | SOT23 | 0.3W zener 4.3V±5% |

| | | | | | |
|-----|------------|-----|----|---------|---|
| W9 | BZV49C4V3 | Zet | O | SOT89 | 1W zener 4.3V±5% |
| W9 | BZT52B5V1 | Vis | I | SOD123 | 300 mW zener 2% 5.1V |
| W9 | BZT52C5V1 | Vis | I | SOD123 | 300 mW zener 5% 5.1V |
| W9 | BZT52C5V6S | Dio | I | SOD323 | 200mW zener 5.6V |
| W9 | BZX384B5V1 | Vis | I | SOD323 | 200 mW zener 2% 5.1V |
| W9 | BZX384C5V1 | Vis | I | SOD323 | 200 mW zener 5% 5.1V |
| W10 | CMPZDA27V | CSC | A | SOT23 | dual ca zener 350mW 27V |
| W11 | CMPZDA30V | CSC | A | SOT23 | dual ca zener 350mW 30V |
| W12 | CMPZDA33V | CSC | A | SOT23 | dual ca zener 350mW 33V |
| W13 | CMPZDA36V | CSC | A | SOT23 | dual ca zener 350mW 36V |
| W13 | S913TWR | Vis | UQ | SOT343R | dg mosfet MOSIC 9V uhf tv tuners |
| W14 | CMPZDA39V | CSC | A | SOT23 | dual ca zener 350mW 39V |
| W15 | CMPZDA43V | CSC | A | SOT23 | dual ca zener 350mW 43V |
| W16 | CMPZDA47V | CSC | A | SOT23 | dual ca zener 350mW 47V |
| W18 | BFP181TW | Tfk | X | | npn RF fT 7.8GHz 10V 20mA |
| W18 | BFP181TRW | Tfk | WQ | | npn RF fT 7.8GHz 10V 20mA |
| W22 | S822TW | Tfk | X | | npn rf fT 5.2 GHz 6V 8mA |
| W22 | S822TRW | Tfk | WQ | | npn rf fT 5.2 GHz 6V 8mA |
| W28 | BFP280TRW | Tfk | WQ | | npn rf fT 7 GHz 8V 10mA |
| W28 | BFP280TW | Tfk | X | | npn rf fT 7 GHz 8V 10mA |
| W52 | S852TW | Tfk | X | | npn rf fT 5.2 GHz 6V 8mA |
| W59 | S595TRW | Vis | UQ | SOT143R | biased dg mosfet MOSIC 5V uhf tv tuners |
| W67 | BFP67W | Tfk | X | | npn rf fT 7.5 GHz 10V 50mA |
| W82 | BFP182TRW | Tfk | WQ | | npn rf fT 7.5 GHz 10V 35mA |
| W82 | BFP182TW | Tfk | X | | npn rf fT 7.5 GHz 10V 35mA |
| W83 | BFP183TRW | Tfk | WQ | | npn rf fT 7.4 GHz 10V 65mA |
| W83 | BFP183T | Tfk | X | | npn rf fT 7.4 GHz 10V 65mA |
| W92 | BFP92AW | Tfk | X | SOT343 | npn rf fT 6 GHz 15V 30mA |
| W93 | S593TRW | Vis | UQ | SOT343R | biased dg mosfet MOSIC 5V uhf tv tuners |
| W94 | S594TRW | Vis | UQ | SOT343R | biased dg mosfet MOSIC 5V uhf tv tuners |

| | | | | | |
|-----|------------|-----|----|---------|---|
| W99 | S949TRW | Vis | UQ | SOT343R | biased dg uhf mosfet MOSIC for TV tuners 9V |
| WA | BZT52B5V6 | Vis | I | SOD123 | 300 mW zener 2% 5.6V |
| WA | BZT52C5V6 | Vis | I | SOD123 | 300 mW zener 5% 5.6V |
| WA | BZT52C6V2S | Dio | I | SOD323 | 200mW zener 6.2V |
| WB | 2SD1383K | Roh | N | | npn darlington comp 2SB852K |
| WB | BZT52B6V2 | Vis | I | SOD123 | 300 mW zener 2% 6.2V |
| WB | BZT52C6V2 | Vis | I | SOD123 | 300 mW zener 5% 6.2V |
| WB | BZT52C6V8S | Dio | I | SOD323 | 200mW zener 6.8V |
| WC | BZT52B6V8 | Vis | I | SOD123 | 300 mW zener 2% 6.8V |
| WC | BZT52C6V8 | Vis | I | SOD123 | 300 mW zener 5% 6.8V |
| WC | BZT52C7V5S | Dio | I | SOD323 | 200mW zener 7.5V |
| WCs | BCR133 | Sie | N | SOT23 | npn dig 50V 0.1A 10k+10k |
| WCs | BCR133T | Sie | N | SC75 | npn dig 50V 0.1A 10k+10k |
| WCs | BCR133U | Sie | N | SOT457 | npn dig 50V 0.1A 10k+10k |
| WCs | BCR133W | Sie | N | SOT323 | npn dig 50V 0.1A 10k+10k |
| WCs | BCR133S | Sie | DN | SOT363 | dual BCR133 |
| WD | BZT52B7V5 | Vis | I | SOD123 | 300 mW zener 2% 7.5V |
| WD | BZT52C7V5 | Vis | I | SOD123 | 300 mW zener 5% 7.5V |
| WD | BZT52C8V2S | Dio | I | SOD323 | 200mW zener 8.2V |
| WDs | BCR141 | Sie | N | SOT23 | npn 50V 0.1A dig 22k +22k |
| WDs | BCR141T | Sie | N | SC75 | npn 50V 0.1A dig 22k +22k |
| WDs | BCR141W | Sie | N | SOT323 | npn 50V 0.1A dig 22k +22k |
| WDs | BCR141S | Sie | DN | SOT363 | dual BCR141 |
| WE | BZT52B8V2 | Vis | I | SOD123 | 300 mW zener 2% 8.2V |
| WE | BZT52C8V2 | Vis | I | SOD123 | 300 mW zener 5% 8.2V |
| WE | BZT52C9V1S | Dio | I | SOD323 | 200mW zener 9.1V |
| WEs | BCR148 | Sie | N | SOT23 | npn 50V 0.1A dig 47k +47k |
| WEs | BCR148T | Sie | N | SC75 | npn 50V 0.1A dig 47k +47k |
| WEs | BCR148U | Sie | N | SOT457 | npn 50V 0.1A dig 47k +47k |
| WEs | BCR148W | Sie | N | SOT323 | npn 50V 0.1A dig 47k +47k |
| WEs | BCR148S | Sie | DN | SOT363 | dual BCR148 |
| WE1 | BFS17W | Tfk | N | | npn rf fT 2.1GHz SOT-323 |
| WE2 | BFS17AW | Tfk | N | | npn rf fT 3.2GHz SOT-323 |

| | | | | | |
|-----|-----------|-----|----|--------|--------------------------|
| WF | BZT52B9V1 | Vis | I | SOD123 | 300 mW zener 2% 9.1V |
| WF | BZT52C9V1 | Vis | I | SOD123 | 300 mW zener 5% 9.1V |
| WF | BZT52C10S | Dio | I | SOD323 | 200mW zener 10V |
| WFs | BCR08PN | Sie | DP | SOT363 | pnp/npn dig 0.1A 2k2+47k |
| WFs | BCR112 | Sie | N | SOT23 | npn dig 50V 0.1A 4k7+4k7 |
| WF0 | TSDF1205W | Vis | X | SOT343 | 12 GHz npn 12mA 4V |
| WF2 | TSDF1220W | Vis | X | SOT343 | 12GHz npn 6V 40mA |
| WF5 | TSDF1250W | Vis | X | SOT343 | 12GHz npn 6V 60mA |
| WFE | BFP93A | Tfk | X | SOT343 | BFP93A (FE) in 6GHz npn |
| WG | BZT52B10 | Vis | I | SOD123 | 300 mW zener 2% 10V |
| WG | BZT52C10 | Vis | I | SOD123 | 300 mW zener 5% 10V |
| WG | BZT52C11S | Vis | I | SOD123 | 300 mW zener 5% 11V |
| WG | BZX384B10 | Vis | I | SOD323 | 200 mW zener 2% 10V |
| WG | BZX384C10 | Vis | I | SOD323 | 200 mW zener 5% 10V |
| WGs | BCR116 | Sie | N | SOT23 | npn dig 50V 0.1A 4k7+47k |
| WGs | BCR116W | Sie | N | SOT323 | npn dig 50V 0.1A 4k7+47k |
| WH | BZT52B11 | Vis | I | SOD123 | 300 mW zener 2% 11V |
| WH | BZT52C11 | Vis | I | SOD123 | 300 mW zener 5% 11V |
| WH | BZX384B11 | Vis | I | SOD323 | 200 mW zener 2% 11V |
| WH | BZX384C11 | Vis | I | SOD323 | 200 mW zener 5% 11V |
| WG | BZT52C12S | Vis | I | SOD123 | 300 mW zener 5% 12V |
| WHs | BCR108 | Sie | N | SOT23 | npn dig 50V 0.1A 2k2+47k |
| WHs | BCR108T | Sie | N | SC75 | npn dig 50V 0.1A 2k2+47k |
| WHs | BCR108W | Sie | N | SOT323 | npn dig 50V 0.1A 2k2+47k |
| WHs | BCR108S | Sie | DN | SOT363 | dual BCR108 |
| WI | BZT52B12 | Vis | I | SOD123 | 300 mW zener 2% 12V |
| WI | BZT52C12 | Vis | I | SOD123 | 300 mW zener 5% 12V |
| WI | BZT52C13S | Vis | I | SOD123 | 300 mW zener 5% 13V |
| WI | BZX384B12 | Vis | I | SOD323 | 200 mW zener 2% 12V |
| WI | BZX384C12 | Vis | I | SOD323 | 200 mW zener 5% 12V |
| WIs | BCR158 | Sie | N | SOT23 | pnp dig 50V 0.1A 2k2+47k |
| WIs | BCR158T | Sie | N | SC75 | pnp dig 50V 0.1A 2k2+47k |
| WIs | BCR158W | Sie | N | SOT323 | pnp dig 50V 0.1A 2k2+47k |
| WJs | BCR135 | Sie | N | SOT23 | npn dig 50V 0.1A 10k+47k |

| | | | | | |
|-----|-----------|-----|----|---------|--------------------------|
| WJs | BCR135T | Sie | N | SC75 | npn dig 50V 0.1A 10k+47k |
| WJs | BCR135W | Sie | N | SOT323 | npn dig 50V 0.1A 10k+47k |
| WJs | BCR135S | Sie | DN | SOT363 | dual BCR135 |
| WJ | BZT52C15S | Vis | I | SOD123 | 300 mW zener 5% 15V |
| WK | BZT52B13 | Vis | I | SOD123 | 300 mW zener 2% 13V |
| WK | BZT52C13 | Vis | I | SOD123 | 300 mW zener 5% 13V |
| WK | BZT52C16S | Vis | I | SOD123 | 300 mW zener 5% 16V |
| WK | BZX384B13 | Vis | I | SOD323 | 200 mW zener 2% 13V |
| WK | BZX384C13 | Vis | I | SOD323 | 200 mW zener 5% 13V |
| Wks | BCR119 | Sie | N | SOT23 | npn dig 50V 0.1A 4k7 |
| Wks | BCR119S | Sie | DN | SOT363 | npn dig 50V 0.1A 4k7 |
| Wks | BCR119W | Sie | N | SOT323 | npn dig 50V 0.1A 4k7 |
| WL | BZT52B15 | Vis | I | SOD123 | 300 mW zener 2% 15V |
| WL | BZT52C15 | Vis | I | SOD123 | 300 mW zener 5% 15V |
| WL | BZT52C18S | Vis | I | SOD123 | 300 mW zener 5% 18V |
| WL | BZX384B15 | Vis | I | SOD323 | 200 mW zener 2% 15V |
| WL | BZX384C15 | Vis | I | SOD323 | 200 mW zener 5% 15V |
| Wls | BCR146 | Sie | N | SOT23 | dual npn dig 50V 47k+22k |
| Wls | BCR146W | Sie | N | SOT323 | dual npn dig 50V 47k+22k |
| WM | BZT52B16 | Vis | I | SOD123 | 300 mW zener 2% 16V |
| WM | BZT52C16 | Vis | I | SOD123 | 300 mW zener 5% 16V |
| WG | BZT52C20S | Vis | I | SOD123 | 300 mW zener 5% 20V |
| WM | BZX384B16 | Vis | I | SOD323 | 200 mW zener 2% 16V |
| WM | BZX384C16 | Vis | I | SOD323 | 200 mW zener 5% 16V |
| Wms | BCR183 | Sie | N | SOT23 | pnp dig 50V 10k+10k |
| Wms | BCR183W | Sie | N | SOT323 | pnp dig 50V 10k+10k |
| Wms | BCR183T | Sie | N | SC75 | pnp dig 50V 10k+10k |
| Wms | BCR183U | Sie | N | SOT457 | pnp dig 50V 10k+10k |
| Wms | BCR183S | Sie | DO | SOT363 | dual pnp dig 50V 10k+10k |
| WMO | BF998RW | Tfk | UQ | SOT343R | vhf dg mosfet BF988 |
| WN | BZT52B18 | Vis | I | SOD123 | 300 mW zener 2% 18V |
| WN | BZT52C18 | Vis | I | SOD123 | 300 mW zener 5% 18V |
| WN | BZT52C22S | Vis | I | SOD123 | 300 mW zener 5% 22V |
| WN | BZX384B18 | Vis | I | SOD323 | 200 mW zener 2% 18V |

| | | | | | |
|-----|-------------|-----|----|--------|---------------------------|
| WN | BZX384C18 | Vis | I | SOD323 | 200 mW zener 5% 18V |
| WNs | BCR185 | Sie | N | SOT23 | pnnp dig 50V 0.1A 10k+47k |
| WNs | BCR185U | Sie | N | SOT457 | pnnp dig 50V 0.1A 10k+47k |
| WNs | BCR185W | Sie | N | SOT323 | pnnp dig 50V 0.1A 10k+47k |
| WNs | BCR185S | Sie | DO | SOT363 | dual BCR185 |
| WO | BZT52B20 | Vis | I | SOD123 | 300 mW zener 2% 20V |
| WO | BZT52C20 | Vis | I | SOD123 | 300 mW zener 5% 20V |
| WO | BZT52C24S | Vis | I | SOD123 | 300 mW zener 5% 24V |
| WO | BZX384B20 | Vis | I | SOD323 | 200 mW zener 2% 20V |
| WO | BZX384C20 | Vis | I | SOD323 | 200 mW zener 5% 20V |
| WOs | BCR191 | Sie | N | SOT23 | pnnp dig 50V 0.1A 22k+22k |
| WOs | BCR191W | Sie | N | SOT323 | pnnp dig 50V 0.1A 22k+22k |
| WOs | BCR191S | Sie | DO | SOT363 | dual BCR191 |
| WO | BZX284-B2V4 | Phi | I | SOD110 | 0.4W zener 2.4V E24 ±2% |
| WP | BZX284-B2V7 | Phi | I | SOD110 | 0.4W zener 2.7V E24 ±2% |
| WP | BZT52B22 | Vis | I | SOD123 | 300 mW zener 2% 22V |
| WP | BZT52C22 | Vis | I | SOD123 | 300 mW zener 5% 22V |
| WP | BZT52C27S | Vis | I | SOD123 | 300 mW zener 5% 27V |
| WP | BZX384B22 | Vis | I | SOD323 | 200 mW zener 2% 22V |
| WP | BZX384C22 | Vis | I | SOD323 | 200 mW zener 5% 22V |
| WPs | BCR192 | Sie | N | SOT23 | pnnp dig 50V 0.1A 22k+47k |
| WPs | BCR192T | Sie | N | SC75 | pnnp dig 50V 0.1A 22k+47k |
| WPs | BCR192W | Sie | N | SOT323 | pnnp dig 50V 0.1A 22k+47k |
| WPs | BCR22PN | Sie | DP | SOT363 | pnnp/npn dig 0.1A 22k+22k |
| WP2 | BFR92A | Tfk | N | SOT23 | BRF90A |
| WQ | BZX284-B3V0 | Phi | I | SOD110 | 0.4W zener 3.0V E24 ±2% |
| WQ | BZT52C30S | Vis | I | SOD123 | 300 mW zener 5% 30V |
| WR | BZT52B24 | Vis | I | SOD123 | 300 mW zener 2% 24V |
| WR | BZT52C24 | Vis | I | SOD123 | 300 mW zener 5% 24V |
| WR | BZT52C33S | Vis | I | SOD123 | 300 mW zener 5% 33V |
| WR | BZX384B24 | Vis | I | SOD323 | 200 mW zener 2% 24V |
| WR | BZX384C24 | Vis | I | SOD323 | 200 mW zener 5% 24V |
| WR | MSD602R | Mot | N | SOT346 | npn gp 25V 150mA |
| WRs | BCR198 | Sie | N | SOT23 | pnnp dig 50V 0.1A 47k+47k |

| | | | | | |
|-----|-------------|-----|----|--------|------------------------------------|
| WRs | BCR198W | Sie | NN | SOT323 | pnnp dig 50V 0.1A 47k+47k |
| WRs | BCR198S | Sie | D | SOT363 | dual BCR198 |
| WR | BZX284-B3V3 | Phi | I | SOD110 | 0.4W zener 3.3V E24 ±2% |
| WR2 | BFR93AW | Tfk | N | | BFR91A |
| WRE | BFR280TW | Tfk | N | | npn RF ft 7.5GHz |
| WRF | BFR181TW | Tfk | N | | npn RF ft 7.8GHz |
| WRG | BFR182TW | Tfk | N | | npn RF ft 7GHz |
| WRH | BFR183TW | Tfk | N | | npn RF ft 7.4GHz |
| WS | BCR169 | Sie | N | SOT23 | pnnp dig 50V 0.1A 4k7 |
| WS | BCR169W | Sie | N | SOT323 | pnnp dig 50V 0.1A 4k7 |
| WS | BCR169S | Sie | DO | SOT363 | dual BC169 |
| WS | BZT52B27 | Vis | I | SOD123 | 300 mW zener 2% 27V |
| WS | BZT52C27 | Vis | I | SOD123 | 300 mW zener 5% 27V |
| WS | BZT52C36S | Vis | I | SOD123 | 300 mW zener 5% 136V |
| WS | BZX384B27 | Vis | I | SOD323 | 200 mW zener 2% 27V |
| WS | BZX384C27 | Vis | I | SOD323 | 200 mW zener 5% 27V |
| WS | BZX284-B3V6 | Phi | I | SOD110 | 0.4W zener 3.6V E24 ±2% |
| WT | BCR166 | Sie | N | SOT23 | pnnp dig 50V 0.1A 4k7+47k |
| WT | BCR166W | Sie | N | SOT323 | pnnp dig 50V 0.1A 4k7+47k |
| WT | BCR48PN | Sie | DP | SOT363 | pnnp/npn dig npn 2x47k pnp 2k2+47k |
| WT | BZT52B30 | Vis | I | SOD123 | 300 mW zener 2% 30V |
| WT | BZT52C30 | Vis | I | SOD123 | 300 mW zener 5% 30V |
| WT | BZT52C39S | Vis | I | SOD123 | 300 mW zener 5% 39V |
| WT | BZX384B30 | Vis | I | SOD323 | 200 mW zener 2% 30V |
| WT | BZX384C30 | Vis | I | SOD323 | 200 mW zener 5% 30V |
| WT | BZX284-B3V9 | Phi | I | SOD110 | 0.4W zener 3.9V E24 ±2% |
| WU | BCR162 | Sie | N | SOT23 | pnnp dig 50V 0.1A 4k7+4k7 |
| WU | BCR162T | Sie | N | SC75 | pnnp dig 50V 0.1A 4k7+4k7 |
| WU | BCR35PN | Sie | DP | SOT363 | pnnp/npn dig 0.1A 10k+47k |
| WU | BZX284-B4V3 | Phi | I | SOD110 | 0.4W zener 4.3V E24 ±2% |
| WU | BZT52B33 | Vis | I | SOD123 | 300 mW zener 2% 33V |
| WU | BZT52C33 | Vis | I | SOD123 | 300 mW zener 5% 33V |
| WU | BZX384B33 | Vis | I | SOD323 | 200 mW zener 2% 33V |
| WU | BZX384C33 | Vis | I | SOD323 | 200 mW zener 5% 33V |

| | | | | | |
|-----|-----------|-----|----|---------|---|
| WU | MRF2947A | Mot | DG | SOT363 | dual MRF941 npn RF 9GHz |
| WW | BZT52B36 | Vis | I | SOD123 | 300 mW zener 2% 36V |
| WW | BZT52C36 | Vis | I | SOD123 | 300 mW zener 5% 36V |
| WW | BZX384B36 | Vis | I | SOD323 | 200 mW zener 2% 36V |
| WW | BZX384C36 | Vis | I | SOD323 | 200 mW zener 5% 36V |
| WW3 | CMPZDA2V4 | CSC | A | SOT23 | dual ca zener 350mW 2.4V |
| WW4 | CMPZDA2V7 | CSC | A | SOT23 | dual ca zener 350mW 2.7V |
| WW5 | CMPZDA3V0 | CSC | A | SOT23 | dual ca zener 350mW 3.0V |
| WW6 | CMPZDA3V3 | CSC | A | SOT23 | dual ca zener 350mW 3.3V |
| WW7 | CMPZDA3V6 | CSC | A | SOT23 | dual ca zener 350mW 3.6V |
| WW8 | CMPZDA3V9 | CSC | A | SOT23 | dual ca zener 350mW 3.9V |
| WW9 | CMPZDA4V3 | CSC | A | SOT23 | dual ca zener 350mW 4.3V |
| WX | BZT52B39 | Vis | I | SOD123 | 300 mW zener 2% 39V |
| WX | BZT52C39 | Vis | I | SOD123 | 300 mW zener 5% 39V |
| WX | BZX384B39 | Vis | I | SOD323 | 200 mW zener 2% 39V |
| WX | BZX384C39 | Vis | I | SOD323 | 200 mW zener 5% 39V |
| WX3 | S593TXRW | Vis | UQ | SOT143R | biased dg mosfet MOSIC 5V uhf tv tuners |
| WX4 | S594TXRW | Vis | UQ | SOT143R | biased dg mosfet MOSIC 5V uhf tv tuners |
| WX5 | S595TXRW | Vis | UQ | SOT143R | biased dg mosfet MOSIC 5V uhf tv tuners |
| WX6 | S504TXRW | Vis | UQ | SOT343R | biased dg mosfet MOSIC 5V uhf tv tuners |
| WX7 | S505TXRW | Vis | UQ | SOT343R | biased dg mosfet MOSIC 5V uhf tv tuners |
| WX8 | S503TXRW | Vis | UQ | SOT343R | biased dg mosfet MOSIC 5V uhf tv tuners |
| WY | BZT52B43 | Vis | I | SOD123 | 300 mW zener 2% 43V |
| WY | BZT52C43 | Vis | I | SOD123 | 300 mW zener 5% 43V |
| WY | BZX384B43 | Vis | I | SOD323 | 200 mW zener 2% 43V |
| WY | BZX384C43 | Vis | I | SOD323 | 200 mW zener 5% 43V |
| WY5 | S505TXRW | Vis | UQ | SOT343R | dg mosfet MOSIC 5V uhf tv tuners |
| WY6 | S506TXRW | Vis | UQ | SOT343R | dg mosfet MOSIC 5V uhf tv tuners |

| | | | | | |
|----|-----------|-----|---|--------|---------------------|
| WZ | BZT52B47 | Vis | I | SOD123 | 300 mW zener 2% 47V |
| WZ | BZT52C47 | Vis | I | SOD123 | 300 mW zener 5% 47V |
| WZ | BZX384B47 | Vis | I | SOD323 | 200 mW zener 2% 47V |
| WZ | BZX384C47 | Vis | I | SOD323 | 200 mW zener 5% 47V |

*Last Updated 10/07/2006
by GM4PMK*

GM4PMK's SMD Codebook

Codes beginning with 'X'

| Code | Device | Manf | Base | Package | Leaded Equivalent/Data |
|---------------|-----------|------|------|---------|----------------------------------|
| X (white) | BB833 | Sie | I | SOT323 | 9.3-0.75pF varicap |
| X (yellow) | BB835 | Sie | I | SOT323 | 9.1-0.6pF varicap |
| X | BB187 | Phi | I | SOD 523 | VHF Varicap 2,7-13,7pF |
| X03 | S503TX | Vis | W | SOT143 | dg mosfet MOSIC 5V uhf tv tuners |
| X04 | S504TX | Vis | W | SOT143 | dg mosfet MOSIC 5V uhf tv tuners |
| X05 | S505TX | Vis | W | SOT143 | dg mosfet MOSIC 5V uhf tv tuners |
| X1 | BFT93 | Sie | N | SOT23 | BFQ23 BFQ75 |
| X1p | BFT93 | Phi | N | SOT23 | BFQ23 BFQ75 |
| X1 | IMX1 | Roh | DC | | dual 2SC2412K npn |
| X1 | BZX84-C27 | Phi | C | SOT23 | 0.3W zener 27V±5% |
| X1 | BZT52B51 | Vis | I | SOD123 | 300 mW zener 2% 51V |
| X1 | BZT52C51 | Vis | I | SOD123 | 300 mW zener 5% 51V |
| X1 | BZX384B51 | Vis | I | SOD323 | 200 mW zener 2% 51V |
| X1 | BZX384C51 | Vis | I | SOD323 | 200 mW zener 5% 51V |
| X1 | CMDZ5221B | CSC | I | SOD323 | 250mW zener 5% 2.4V |
| X2 | IMX2 | Roh | DD | | dual 2SC2412K npn |
| X2 | BZX99-C13 | Phi | C | SOT23 | 13V 0.3W zener ±5% |
| X2 | BZX84-C30 | Zet | C | SOT23 | 0.3W zener 30V±5% |
| X2 | BZV49C30 | Zet | O | SOT89 | 1W zener 30V±5% |
| X2 | BZT52B56 | Vis | I | SOD123 | 300 mW zener 2% 56V |
| X2 | BZT52C56 | Vis | I | SOD123 | 300 mW zener 5% 56V |
| X2 | BZX384B56 | Vis | I | SOD323 | 200 mW zener 2% 56V |
| X2 | BZX384C56 | Vis | I | SOD323 | 200 mW zener 5% 56V |
| X2 | CMDZ5222B | CSC | I | SOD323 | 250mW zener 5% 2.5V |

| | | | | | |
|-----|-----------|-----|----|---------|---|
| X3 | BZX99-C15 | Phi | C | SOT23 | 15V 0.3W zener $\pm 5\%$ |
| X3 | BZX84-C33 | Zet | C | SOT23 | 0.3W zener 33V $\pm 5\%$ |
| X3 | BZT52B62 | Vis | I | SOD123 | 300 mW zener 2% 62V |
| X3 | BZT52C62 | Vis | I | SOD123 | 300 mW zener 5% 62V |
| X3 | BZX384B62 | Vis | I | SOD323 | 200 mW zener 2% 62V |
| X3 | BZX384C62 | Vis | I | SOD323 | 200 mW zener 5% 62V |
| X3 | CMDZ5223B | CSC | I | SOD323 | 250mW zener 5% 2.7V |
| X3R | S593TXR | Vis | UQ | SOT143R | biased dg mosfet MOSIC 5V uhf tv tuners |
| X4 | BFT93R | Sie | R | SOT23R | BFQ23 BFQ75 |
| X4 | BZX84-C36 | Zet | C | SOT23 | 0.3W zener 36V $\pm 5\%$ |
| X4 | BZT52B68 | Vis | I | SOD123 | 300 mW zener 2% 68V |
| X4 | BZT52C68 | Vis | I | SOD123 | 300 mW zener 5% 68V |
| X4 | BZX384B68 | Vis | I | SOD323 | 200 mW zener 2% 68V |
| X4 | BZX384C68 | Vis | I | SOD323 | 200 mW zener 5% 68V |
| X4 | CMDZ5224B | CSC | I | SOD323 | 250mW zener 5% 2.8V |
| X4R | S594TXR | Vis | UQ | SOT143R | biased dg mosfet MOSIC 5V uhf tv tuners |
| X5 | BZV49C39 | Zet | O | SOT89 | 1W zener 39V $\pm 5\%$ |
| X5 | MMBV409G | Mot | C | SOT23 | Hyperabrupt varicap |
| X5 | BZT52B75 | Vis | I | SOD123 | 300 mW zener 2% 75V |
| X5 | BZT52C75 | Vis | I | SOD123 | 300 mW zener 5% 75V |
| X5 | BZX384B75 | Vis | I | SOD323 | 200 mW zener 2% 75V |
| X5 | BZX384C75 | Vis | I | SOD323 | 200 mW zener 5% 75V |
| X5 | CMDZ5225B | CSC | I | SOD323 | 250mW zener 5% 3.0V |
| X5R | S595TXR | Vis | UQ | SOT143R | biased dg mosfet MOSIC 5V uhf tv tuners |
| X6 | BZV49C43 | Zet | O | SOT89 | 1W zener 43V $\pm 5\%$ |
| X6 | BZX84-C43 | Zet | C | SOT23 | 0.3W zener 43V $\pm 5\%$ |
| X6 | CMDZ5226B | CSC | I | SOD323 | 250mW zener 5% 3.3V |
| X6R | S504TXR | Vis | UQ | SOT143R | dg mosfet MOSIC 5V uhf tv tuners |
| X7 | BZX84-C47 | Zet | C | SOT23 | 0.3W zener 47V $\pm 5\%$ |
| X7 | CMDZ5227B | CSC | I | SOD323 | 250mW zener 5% 3.6V |

| | | | | | |
|-----------------|-------------|-----|----|---------|---|
| X7R | S505TXR | Vis | UQ | SOT143R | dg mosfet MOSIC 5V uhf tv tuners |
| X8 | CMDZ5228B | CSC | I | SOD323 | 250mW zener 5% 3.9V |
| X8C | S503TXR | Vis | UQ | SOT143R | dg mosfet MOSIC 5V uhf tv tuners |
| X9 | CMDZ5229B | CSC | I | SOD323 | 250mW zener 5% 4.3V |
| X93 | S593TX | Vis | W | SOT143 | biased dg mosfet MOSIC 5V uhf tv tuners |
| X94 | S594TX | Vis | W | SOT143 | biased dg mosfet MOSIC 5V uhf tv tuners |
| X95 | S595TX | Vis | W | SOT143 | biased dg mosfet MOSIC 5V uhf tv tuners |
| XAs | BCR503 | Sie | N | SOT23 | npn dtr 50V 0.5A 2k2 +2k2 |
| XA | BZX284-B7V5 | Phi | I | SOD110 | 0.4W zener 7.5V E24 ±2% |
| XA | BZX99-C4V7 | Phi | C | SOT23 | 4.7V 0.3W zener |
| XA | CMDZ5230B | CSC | I | SOD323 | 250mW zener 5% 4.7V |
| XBs | BCR553 | Sie | N | SOT23 | pnnp dtr 50V 0.5A 2k2 +2k2 |
| XB | BZX284-B8V2 | Phi | I | SOD110 | 0.4W zener 8.2V E24 ±2% |
| XB | BZX99-C5V1 | Phi | C | SOT23 | 5.1V 0.3W zener |
| XB | CMDZ5231B | CSC | I | SOD323 | 250mW zener 5% 5.1V |
| XC _s | BCR533 | Sie | N | SOT23 | npn dtr 50V 0.5A 10k + 10k |
| XC | BZX284-B9V1 | Phi | I | SOD110 | 0.4W zener 9.1V E24 ±2% |
| XC | BZX99-C5V6 | Phi | C | SOT23 | 5.6V 0.3W zener |
| XC | CMDZ5232B | CSC | I | SOD323 | 250mW zener 5% 5.6V |
| XD _s | BCR555 | Sie | N | SOT23 | pnnp dtr 50V 0.5A 2k2 +10k |
| XD | BZX284-B10 | Phi | I | SOD110 | 0.4W zener 10V E24 ±2% |
| XD | BZX99-C6V2 | Phi | C | SOT23 | 6.2V 0.3W zener |
| XD | CMDZ5233B | CSC | I | SOD323 | 250mW zener 5% 6.0V |
| XE | BZX284-B11 | Phi | I | SOD110 | 0.4W zener 11V E24 ±2% |
| XE | BZX99-C6V8 | Phi | C | SOT23 | 6.8V 0.3W zener |
| XE | CMDZ5234B | CSC | I | SOD323 | 250mW zener 5% 6.2V |
| XF _s | BCR512 | Sie | N | SOT23 | npn dtr 50V 0.5A 4k7+ 4k7 |
| XF | BZX284-B12 | Phi | I | SOD110 | 0.4W zener 12V E24 ±2% |
| XF | CMDZ5235B | CSC | I | SOD323 | 250mW zener 5% 6.8V |
| XG _s | BCR523 | Sie | N | SOT23 | npn dtr 50V 0.5A 1k0 +10k |

| | | | | | |
|-----|------------|-----|---|--------|--------------------------------|
| XG | BZX284-B13 | Phi | I | SOD110 | 0.4W zener 13V E24 $\pm 2\%$ S |
| XG | CMDZ5236B | CSC | I | SOD323 | 250mW zener 5% 7.5V |
| XHs | BCR573 | Sie | N | SOT23 | pnv dtr 50V 0.5A 1k0 +10k |
| XH | BZX284-B15 | Phi | I | SOD110 | 0.4W zener 15V E24 $\pm 2\%$ |
| XH | MMSD701 | Mot | I | SOD123 | MMBD701 |
| XH | CMDZ5237B | CSC | I | SOD323 | 250mW zener 5% 8.2V |
| XI | BZX284-B16 | Phi | I | SOD110 | 0.4W zener 16V E24 $\pm 2\%$ |
| XJ | BZX284-B18 | Phi | I | SOD110 | 0.4W zener 18V E24 $\pm 2\%$ |
| XJ | CMDZ5238B | CSC | I | SOD323 | 250mW zener 5% 8.7V |
| XKs | BCR519 | Sie | N | SOT23 | npn dtr 50V 0.5A R1 4k7 |
| XK | BZX284-B20 | Phi | I | SOD110 | 0.4W zener 20V E24 $\pm 2\%$ |
| XK | CMDZ5239B | CSC | I | SOD323 | 250mW zener 5% 9.1V |
| XLs | BCR569 | Sie | N | SOT23 | pnv dtr 50V 0.5A R1 4k7 |
| XL | BZX284-B22 | Phi | I | SOD110 | 0.4W zener 22V E24 $\pm 2\%$ |
| XL | BZX99-C2V4 | Phi | C | SOT23 | 2.4V 0.3W zener |
| XL | CMDZ5240B | CSC | I | SOD323 | 250mW zener 5% 10V |
| XMs | BCR583 | Sie | N | SOT23 | pnv dtr 50V 0.5A 10k +10k |
| XM | BZX284-B24 | Phi | I | SOD110 | 0.4W zener 24V E24 $\pm 2\%$ |
| XM | BZX99-C2V7 | Phi | C | SOT23 | 2.7V 0.3W zener |
| XN | BZX284-B27 | Phi | I | SOD110 | 0.4W zener 27V E24 $\pm 2\%$ |
| XN | BZX99-C3V0 | Phi | C | SOT23 | 3.0V 0.3W zener |
| XN | CMDZ5241B | CSC | I | SOD323 | 250mW zener 5% 11V |
| XO | BZX284-B30 | Phi | I | SOD110 | 0.4W zener 30V E24 $\pm 2\%$ |
| XO | CMDZ5242B | CSC | I | SOD323 | 250mW zener 5% 12V |
| XP | MMBD3000 | Mot | C | SOT346 | Si diode 30V 0.2A |
| XP | BZX284-B33 | Phi | I | SOD110 | 0.4W zener 33V E24 $\pm 2\%$ |
| XP | BZX99-C3V3 | Phi | C | SOT23 | 3.3V 0.3W zener |
| XP | CMDZ5243B | CSC | I | SOD323 | 250mW zener 5% 13V |
| XP | CMDZ13L | CSC | I | SOD323 | zener 250mW Iz 0.5mA 13V |
| XQ | MMBD3005 | Mot | A | SOT346 | dual ca MMBD3000 |
| XQ | BZX284-B36 | Phi | I | SOD110 | 0.4W zener 36V E24 $\pm 2\%$ |
| XQ | 2PD602AQ | Phi | N | SOT346 | gp npn hfe 85-170 |
| XQ | CMDZ5244B | CSC | I | SOD323 | 250mW zener 5% 14V |

| | | | | | |
|-----|------------|-----|----|--------|---------------------------|
| XR | BZX284-B39 | Phi | I | SOD110 | 0.4W zener 39V E24 ±2% |
| XR | BZX99-C3V6 | Phi | C | SOT23 | 3.6V 0.3W zener |
| XR | MRF2947RA | Mot | DH | SOT363 | dual MRF941 npn RF 9GHz |
| XR | 2PD602AR | Phi | N | SOT346 | gp npn hfe 120-240 |
| XR | CMDZ5245B | CSC | I | SOD323 | 250mW zener 5% 15V |
| XS | MMBD3010 | Mot | B | SOT346 | dual cc MMBD3000 |
| XS | BZX284-B43 | Phi | I | SOD110 | 0.4W zener 43V E24 ±2% |
| XS | BZX99-C3V9 | Phi | C | SOT23 | 3.9V 0.3W zener |
| XS | 2PD602AS | Phi | N | SOT346 | gp npn hfe 170-340 |
| XS | CMDZ5246B | CSC | I | SOD323 | 250mW zener 5% 16V |
| XT | BZX284-B47 | Phi | I | SOD110 | 0.4W zener 47V E24 ±2% |
| XT | MMSD301 | Mot | I | SOD123 | MBD301 |
| XT | BZX99-C4V3 | Phi | C | SOT23 | 4.3V 0.3W zener |
| XT | CMDZ5247B | CSC | I | SOD323 | 250mW zener 5% 17V |
| XU | BZX284-B51 | Phi | I | SOD110 | 0.4W zener 51V E24 ±2% |
| XU | MRF2947RA | Mot | DH | | dual MRF941 npn RF 9GHz |
| XUs | BCR562 | Sie | N | SOT23 | pnp dtr 50V 0.5A 4k7+ 4k7 |
| XU | BZX99-C7V5 | Phi | C | SOT23 | 7.5V 0.3W zener |
| XU | CMDZ5248B | CSC | I | SOD323 | 250mW zener 5% 18V |
| XV | BZX284-B56 | Phi | I | SOD110 | 0.4W zener 56V E24 ±2% |
| XVs | BCR521 | Sie | N | SOT23 | npn dtr 50V 0.5A 1k0 +1k0 |
| XV | BZX99-C8V2 | Phi | C | SOT23 | 8.2V 0.3W zener |
| XV | CMDZ5249B | CSC | I | SOD323 | 250mW zener 5% 19V |
| XW | BZX284-B62 | Phi | I | SOD110 | 0.4W zener 62V E24 ±2% |
| XWs | BCR505 | Sie | N | SOT23 | npn dtr 50V 0.5A 2k2 +10k |
| XW | BZX99-C9V1 | Phi | C | SOT23 | 9.1V 0.3W zener |
| XX | BZX284-B68 | Phi | I | SOD110 | 0.4W zener 68V E24 ±2% |
| XX | BZX99-C10 | Phi | C | SOT23 | 10V 0.3W zener |
| XX | CMDZ5250B | CSC | I | SOD323 | 250mW zener 5% 20V |
| XXs | BCR571 | Sie | N | SOT23 | pnp dtr 50V 0.5A 1k0 +1k0 |
| XY | BZX99-C11 | Phi | C | SOT23 | 11V 0.3W zener |
| XY | BZX284-B75 | Phi | I | SOD110 | 0.4W zener 75V E24 ±2% |
| XY | CMDZ5251B | CSC | I | SOD323 | 250mW zener 5% 22V |
| XZ | CMDZ5252B | CSC | I | SOD323 | 250mW zener 5% 24V |

| | | | | | |
|----|-----------|-----|---|-------|----------------|
| XZ | BZX99-C12 | Phi | C | SOT23 | 12V 0.3W zener |
|----|-----------|-----|---|-------|----------------|

Last modified 10/07/2006
By GM4PMK

GM4PMK's SMD Codebook

Codes beginning with 'Y'

| Code | Device | Manf | Base | Package | Leaded Equivalent/Data |
|------|-----------|------|------|---------|----------------------------------|
| Y | BB182B | Phi | I | SOD 523 | VHF Varicap |
| Y0s | CGY121B | Sie | | | GaAs MMIC |
| Y05 | S505TX | Vis | W | SOT143 | dg mosfet MOSIC 5V uhf tv tuners |
| Y06 | S506TX | Vis | W | SOT143 | dg mosfet MOSIC 5V uhf tv tuners |
| Y1 | BZX84-C11 | Phi | C | SOT23 | 0.3W zener 11V±5% |
| Y1p | BZX84-C11 | Phi | C | SOT23 | 0.3W zener 11V±5% |
| Y1 | BZV49C11 | Zet | O | SOT89 | 1W zener 11V ±5% |
| Y1 | CMDZ5253B | CSC | I | SOT323 | zener 250mW 5% 25V |
| Y2 | CLY2 | Sie | DR | MW6 | 3GHz GaAsfet 0.25W 3GHz |
| Y2 | BZX84-C12 | Phi | C | SOT23 | 0.3W zener 12V±5% |
| Y2 | CMDZ5254B | CSC | I | SOT323 | zener 250mW 5% 27V |
| Y3 | BZX84-C13 | Phi | C | SOT23 | 0.3W zener 13V±5% |
| Y3 | CMDZ5255B | CSC | I | SOT323 | zener 250mW 5% 28V |
| Y4 | BZX84-C15 | Phi | C | SOT23 | 0.3W zener 15V±5% |
| Y4 | BZV49C15 | Zet | O | SOT89 | 1W zener 15V ±5% |
| Y4 | CMDZ5256B | CSC | I | SOT323 | zener 250mW 5% 30V |
| Y5s | CGY59 | Sie | DS | SOT363 | GaAs 0.9/1.8GHz preamp |
| Y5 | BZX84-C16 | Phi | C | SOT23 | 0.3W zener 16V±5% |
| Y5 | BZV49C16 | Zet | O | SOT89 | 1W zener 16V ±5% |
| Y5 | CMDZ5257B | CSC | I | SOT323 | zener 250mW 5% 33V |
| Y5R | S505TXR | Vis | UQ | SOT143R | dg mosfet MOSIC 5V uhf tv tuners |
| Y6s | CGY62 | Sie | DS | MW6 | GaAs MMIC |
| Y6 | BZX84-C18 | Phi | C | SOT23 | 0.3W zener 18V±5% |
| Y6 | CMDZ5258B | CSC | I | SOT323 | zener 250mW 5% 36V |
| Y6R | S506TXR | Vis | UQ | SOT143R | dg mosfet MOSIC 5V uhf tv tuners |

| | | | | | |
|-----|-------------|-----|----|--------|-------------------------|
| Y7 | CGY60 | Sie | DS | MW6 | GaAs preamp MMIC 1.8GHz |
| Y7 | BZX84-C20 | Phi | C | SOT23 | 0.3W zener 20V±5% |
| Y7 | CMDZ5259B | CSC | I | SOT323 | zener 250mW 5% 39V |
| Y8 | CGY120 | Sie | | MW6 | GaAs MMIC |
| Y8 | BZX84-C22 | Phi | C | SOT23 | 0.3W zener 22V±5% |
| Y8 | BZV49C22 | Zet | O | SOT89 | 1W zener 22V ±5% |
| Y8 | CMDZ5260B | CSC | I | SOT323 | zener 250mW 5% 43V |
| Y9s | CGY121A | Sie | | MW6 | GaAs MMIC |
| Y9 | BZX84-C24 | Phi | C | SOT23 | 0.3W zener 24V±5% |
| Y9 | BZV49C24 | Zet | O | SOT89 | 1W zener 24V ±5% |
| Y9 | CMDZ5261B | CSC | I | SOT323 | zener 250mW 5% 47V |
| Y10 | BZX84-C27 | Phi | C | SOT23 | 0.3W zener 27V±5% |
| Y11 | BZX84-C30 | Phi | C | SOT23 | 0.3W zener 30V±5% |
| Y12 | BZX84-C33 | Phi | C | SOT23 | 0.3W zener 33V±5% |
| Y13 | BZX84-C36 | Phi | C | SOT23 | 0.3W zener 36V±5% |
| Y14 | BZX84-C39 | Phi | C | SOT23 | 0.3W zener 39V±5% |
| Y15 | BZX84-C43 | Phi | C | SOT23 | 0.3W zener 43V±5% |
| Y16 | BZX84-C47 | Phi | C | SOT23 | 0.3W zener 47V±5% |
| Y17 | BZX84-C51 | Phi | C | SOT23 | 0.3W zener 51V±5% |
| Y18 | BZX84-C56 | Phi | C | SOT23 | 0.3W zener 56V±5% |
| Y19 | BZX84-C62 | Phi | C | SOT23 | 0.3W zener 62V±5% |
| Y20 | BZX84-C68 | Phi | C | SOT23 | 0.3W zener 68V±5% |
| Y21 | BZX84-C75 | Phi | C | SOT23 | 0.3W zener 75V±5% |
| Y36 | BZX84-C13V6 | Phi | C | SOT23 | 0.3W zener 13.6V±5% |
| Y50 | BZX84-A2V4 | Phi | C | SOT23 | 0.3W zener 2.4V ±1% |
| Y51 | BZX84-A2V7 | Phi | C | SOT23 | 0.3W zener 2.7V ±1% |
| Y52 | BZX84-A3V0 | Phi | C | SOT23 | 0.3W zener 3.0V ±1% |
| Y53 | BZX84-A3V3 | Phi | C | SOT23 | 0.3W zener 3.3V ±1% |
| Y54 | BZX84-A3V6 | Phi | C | SOT23 | 0.3W zener 3.6V ±1% |
| Y55 | BZX84-A3V9 | Phi | C | SOT23 | 0.3W zener 3.9V ±1% |
| Y56 | BZX84-A4V3 | Phi | C | SOT23 | 0.3W zener 4.3V ±1% |
| Y57 | BZX84-A4V7 | Phi | C | SOT23 | 0.3W zener 4.7V ±1% |
| Y58 | BZX84-A5V1 | Phi | C | SOT23 | 0.3W zener 5.1V ±1% |

| | | | | | |
|-----|-------------|-----|---|--------|-------------------------------|
| Y59 | BZX84-A5V6 | Phi | C | SOT23 | 0.3W zener 5.6V $\pm 1\%$ |
| Y60 | BZX84-A6V2 | Phi | C | SOT23 | 0.3W zener 6.2V $\pm 1\%$ |
| Y61 | BZX84-A6V8 | Phi | C | SOT23 | 0.3W zener 6.8V $\pm 1\%$ |
| Y62 | BZX84-A7V5 | Phi | C | SOT23 | 0.3W zener 7.5V $\pm 1\%$ |
| Y63 | BZX84-A8V2 | Phi | C | SOT23 | 0.3W zener 8.2V $\pm 1\%$ |
| Y64 | BZX84-A9V1 | Phi | C | SOT23 | 0.3W zener 9.1V $\pm 1\%$ |
| Y65 | BZX84-A10 | Phi | C | SOT23 | 0.3W zener 10V $\pm 1\%$ |
| Y66 | BZX84-A11 | Phi | C | SOT23 | 0.3W zener 11V $\pm 1\%$ |
| Y67 | BZX84-A12 | Phi | C | SOT23 | 0.3W zener 12V $\pm 1\%$ |
| Y68 | BZX84-A13 | Phi | C | SOT23 | 0.3W zener 13V $\pm 1\%$ |
| Y69 | BZX84-A15 | Phi | C | SOT23 | 0.3W zener 15V $\pm 1\%$ |
| Y70 | BZX84-A16 | Phi | C | SOT23 | 0.3W zener 16V $\pm 1\%$ |
| Y71 | BZX84-A18 | Phi | C | SOT23 | 0.3W zener 18V $\pm 1\%$ |
| Y72 | BZX84-A20 | Phi | C | SOT23 | 0.3W zener 20V $\pm 1\%$ |
| Y73 | BZX84-A22 | Phi | C | SOT23 | 0.3W zener 22V $\pm 1\%$ |
| Y74 | BZX84-A24 | Phi | C | SOT23 | 0.3W zener 24V $\pm 1\%$ |
| Y75 | BZX84-A27 | Phi | C | SOT23 | 0.3W zener 27V $\pm 1\%$ |
| Y76 | BZX84-A30 | Phi | C | SOT23 | 0.3W zener 30V $\pm 1\%$ |
| Y77 | BZX84-A33 | Phi | C | SOT23 | 0.3W zener 33V $\pm 1\%$ |
| Y78 | BZX84-A36 | Phi | C | SOT23 | 0.3W zener 36V $\pm 1\%$ |
| Y79 | BZX84-A39 | Phi | C | SOT23 | 0.3W zener 39V $\pm 1\%$ |
| Y80 | BZX84-A43 | Phi | C | SOT23 | 0.3W zener 43V $\pm 1\%$ |
| Y81 | BZX84-A47 | Phi | C | SOT23 | 0.3W zener 47V $\pm 1\%$ |
| Y82 | BZX84-A51 | Phi | C | SOT23 | 0.3W zener 51V $\pm 1\%$ |
| Y83 | BZX84-A56 | Phi | C | SOT23 | 0.3W zener 56V $\pm 1\%$ |
| Y84 | BZX84-A62 | Phi | C | SOT23 | 0.3W zener 62V $\pm 1\%$ |
| Y85 | BZX84-A68 | Phi | C | SOT23 | 0.3W zener 68V $\pm 1\%$ |
| Y86 | BZX84-A75 | Phi | C | SOT23 | 0.3W zener 75V $\pm 1\%$ |
| YBs | BSS84 | Inf | M | SOT23 | p-ch mosfet 50V 0.13A |
| YO | BZX284-C2V4 | Phi | I | SOD110 | 0.4W zener 2.4V E12 $\pm 5\%$ |
| YP | BZX284-C2V7 | Phi | I | SOD110 | 0.4W zener 2.7V E12 $\pm 5\%$ |
| YP | CMDZ15L | CSC | I | SOD323 | zener 250mW Iz 0.5mA 15V |
| YQ | BZX284-C3V0 | Phi | I | SOD110 | 0.4W zener 3.0V E12 $\pm 5\%$ |
| YR | MSD601R | Mot | N | SOT346 | npn gp 25V |

| | | | | | |
|-----|-------------|-----|---|--------|-------------------------|
| YR | BZX284-C3V3 | Phi | I | SOD110 | 0.4W zener 3.3V E12 ±5% |
| YS | MSD601S | Mot | N | SOT346 | npn gp 25V |
| YS | BZX284-C3V6 | Phi | I | SOD110 | 0.4W zener 3.6V E12 ±5% |
| YT | BZX284-C3V9 | Phi | I | SOD110 | 0.4W zener 3.9V E12 ±5% |
| YU | BZX284-C4V3 | Phi | I | SOD110 | 0.4W zener 4.3V E12 ±5% |
| YV | BZX284-C4V7 | Phi | I | SOD110 | 0.4W zener 4.7V E12 ±5% |
| YW | BZX284-C5V1 | Phi | I | SOD110 | 0.4W zener 5.1V E12 ±5% |
| YX | BZX284-C5V6 | Phi | I | SOD110 | 0.4W zener 5.6V E12 ±5% |
| YY | BZX284-C6V2 | Phi | I | SOD110 | 0.4W zener 6.2V E12 ±5% |
| YY1 | CMPZDA11V | CSC | A | SOT23 | dual ca zener 350mW 11V |
| YY2 | CMPZDA12V | CSC | A | SOT23 | dual ca zener 350mW 12V |
| YY3 | CMPZDA13V | CSC | A | SOT23 | dual ca zener 350mW 13V |
| YY4 | CMPZDA15V | CSC | A | SOT23 | dual ca zener 350mW 15V |
| YY5 | CMPZDA16V | CSC | A | SOT23 | dual ca zener 350mW 16V |
| YY6 | CMPZDA18V | CSC | A | SOT23 | dual ca zener 350mW 18V |
| YY7 | CMPZDA20V | CSC | A | SOT23 | dual ca zener 350mW 20V |
| YY8 | CMPZDA22V | CSC | A | SOT23 | dual ca zener 350mW 22V |
| YY9 | CMPZDA24V | CSC | A | SOT23 | dual ca zener 350mW 24V |
| YZ | BZX284-C6V8 | Phi | I | SOD110 | 0.4W zener 6.8V E12 ±5% |

Last Updated on 10/07/2006

By GM4PMK

GM4PMK's SMD Codebook

Codes beginning with 'Z'

| Code | Device | Manf | Base | Package | Leaded Equivalent/Data |
|------|------------|------|------|------------|---------------------------|
| Z | BB145B | Phi | I | SOD 523 | Low Voltage Varicap |
| Z0 | SST310 | Tem | F | SOT23 | J310 n-ch jfet |
| Z0 | PDZ2.4B | Phi | I | SOD323 | 2.4V 0.4W zener |
| Z08 | SST308 | Sil | F | SOT23 | J308 n-ch jfet |
| Z09 | SST309 | Sil | F | SOT23 | J309 n-ch jfet |
| Z10 | SST310 | Sil | F | SOT23 | J310 n-ch jfet |
| Z1 | BB145B-01 | Phi | I | SOD 723 | Low Voltage Varicap |
| Z1 | BZX84-C4V7 | Phi | C | SOT23 | 0.3W zener 4.7V |
| Z1 | SSTJ211 | Sil | F | SOT23 | J211 n-ch jfet |
| Z1 | PDZ2.7B | Phi | I | SOD323 | 2.7V 0.4W zener |
| Z1 | IMZ1A | Roh | DE | | 2SC2414 npn,2SA1037AK pnp |
| Z1 | BZV49C4V7 | Zet | O | SOT89 | 1W \pm 5% zener 4.7V |
| Z2 | BZX84-C5V1 | Phi | C | SOT23 | 0.3W zener 4.7V |
| Z2 | SSTJ212 | Sil | F | SOT23 | J212 n-ch jfet |
| Z2 | IMZ2A | Roh | DF | | 2SC2414 npn,2SA1037AK pnp |
| Z2 | PDZ3.0B | Phi | I | SOD323 | 3.0V 0.4W zener |
| Z2 | BZV49C5V1 | Zet | O | SOT89 | 1W \pm 5% zener 5.1V |
| Z2U | FMMTA63 | Zet | N | SOT23 | MPSA63 |
| Z2V | FMMTA64 | Zet | N | SOT23 | MPSA64 |
| Z3 | BZX84-C5V6 | Phi | C | SOT23 | 0.3W zener 5.6V |
| Z3 | PDZ3.3B | Phi | I | SOD323 | 3.3V 0.4W zener |
| Z3 | 2SK1078 | Tos | T | SOT89 | n-ch mosfet 60V 0.8A |
| Z3 | BZV49C5V6 | Zet | O | SOT89 | 1W \pm 5% zener 5.6V |
| Z4 | BZX84-C6V2 | Phi | C | SOT23 | 0.3W zener 6.2V |
| Z4 | PDZ3.6B | Phi | I | SOD323 | 3.6V 0.4W zener |
| Z4 | 2SK1079 | Tos | T | SOT89 | n-ch mosfet 100V 0.6A |

| | | | | | |
|-----|------------|-----|---|--------|-----------------------------|
| Z4 | BZV49C6V2 | Zet | O | SOT89 | 1W \pm 5% zener 6.2V |
| Z5 | BZX84-C6V8 | Phi | C | SOT23 | 0.3W zener 6.8V |
| Z5 | PDZ3.9B | Phi | I | SOD323 | 3.9V 0.4W zener |
| Z5 | 2SK1717 | Tos | T | SOT89 | n-ch mosfet 60V 2A |
| Z5 | BZV49C6V8 | Zet | O | SOT89 | 1W \pm 5% zener 6.8V |
| Z6 | BZX84-C7V5 | Phi | C | SOT23 | 0.3W zener 7.5V |
| Z6 | PDZ4.3B | Phi | I | SOD323 | 4.3V 0.4W zener |
| Z6 | 2SJ238 | Tos | T | SOT89 | p-ch mosfet 60V 1A |
| Z6 | BZV49C7V5 | Zet | O | SOT89 | 1W \pm 5% zener 7.5V |
| Z7 | BZX84-C8V2 | Phi | C | SOT23 | 0.3W zener 8.2V |
| Z7 | PDZ4.7B | Phi | I | SOD323 | 4.7V 0.4W zener |
| Z7 | BZV49C8V2 | Zet | O | SOT89 | 1W \pm 5% zener 8.2V |
| Z8 | BZX84-C9V1 | Phi | C | SOT23 | 0.3W zener 9.1V |
| Z8 | PDZ5.1B | Phi | I | SOD323 | 5.1V 0.4W zener |
| Z8 | BZV49C9V1 | Zet | O | SOT89 | 1W \pm 5% zener 9.1V |
| Z9 | BZX84-C10 | Phi | C | SOT23 | 0.3W zener 10V |
| Z9 | PDZ5.6B | Phi | I | SOD323 | 5.6V 0.4W zener |
| Z1 | BZV49C10 | Zet | O | SOT89 | 1W \pm 5% zener 10V |
| Z10 | SST310 | Sil | F | SOT23 | J310 n-ch jfet |
| Z11 | BZX84-C2V4 | Phi | C | SOT23 | 0.3W zener 2.4V \pm 5% |
| Z12 | BZX84-C2V7 | Phi | C | SOT23 | 0.3W zener 2.7V \pm 5% |
| Z13 | BZX84-C3V0 | Phi | C | SOT23 | 0.3W zener 3.0V \pm 5% |
| Z14 | BZX84-C3V3 | Phi | C | SOT23 | 0.3W zener 3.3V \pm 5% |
| Z15 | BZX84-C3V6 | Phi | C | SOT23 | 0.3W zener 3.6V \pm 5% |
| Z16 | BZX84-C3V9 | Phi | C | SOT23 | 0.3W zener 3.9V \pm 5% |
| Z17 | BZX84-C4V3 | Phi | C | SOT23 | 0.3W zener 4.3V \pm 5% |
| Z21 | DTC113ZE | Rho | N | EMT3 | nnp dtr 1k0 + 10k 50V 100mA |
| Z21 | DTC113ZUA | Rho | N | SC70 | nnp dtr 1k0 + 10k 50V 100mA |
| Z21 | DTC113ZKA | Rho | N | SC59 | nnp dtr 1k0 + 10k 50V 100mA |
| Z50 | BZX84-B2V4 | Phi | C | SOT23 | 0.3W zener 2.4V \pm 2% |
| Z51 | BZX84-B2V7 | Phi | C | SOT23 | 0.3W zener 2.7V \pm 2% |
| Z52 | BZX84-B3V0 | Phi | C | SOT23 | 0.3W zener 3.0V \pm 2% |
| Z53 | BZX84-B3V3 | Phi | C | SOT23 | 0.3W zener 3.3V \pm 2% |
| Z54 | BZX84-B3V6 | Phi | C | SOT23 | 0.3W zener 3.6V \pm 2% |

| | | | | | |
|-----|-------------|-----|---|--------|---------------------------|
| Z55 | BZX84-B3V9 | Phi | C | SOT23 | 0.3W zener 3.9V $\pm 2\%$ |
| Z56 | BZX84-B4V3 | Phi | C | SOT23 | 0.3W zener 4.3V $\pm 2\%$ |
| Z57 | BZX84-B4V7 | Phi | C | SOT23 | 0.3W zener 4.7V $\pm 2\%$ |
| Z58 | BZX84-B5V1 | Phi | C | SOT23 | 0.3W zener 5.1V $\pm 2\%$ |
| Z59 | BZX84-B5V6 | Phi | C | SOT23 | 0.3W zener 5.6V $\pm 2\%$ |
| Z60 | BZX84-B6V2 | Phi | C | SOT23 | 0.3W zener 6.2V $\pm 2\%$ |
| Z61 | BZX84-B6V8 | Phi | C | SOT23 | 0.3W zener 6.8V $\pm 2\%$ |
| Z62 | BZX84-B7V5 | Phi | C | SOT23 | 0.3W zener 7.5V $\pm 2\%$ |
| Z63 | BZX84-B8V2 | Phi | C | SOT23 | 0.3W zener 8.2V $\pm 2\%$ |
| Z64 | BZX84-B9V1 | Phi | C | SOT23 | 0.3W zener 9.1V $\pm 2\%$ |
| Z65 | BZX84-B10 | Phi | C | SOT23 | 0.3W zener 10V $\pm 2\%$ |
| Z66 | BZX84-B11 | Phi | C | SOT23 | 0.3W zener 11V $\pm 2\%$ |
| Z67 | BZX84-B12 | Phi | C | SOT23 | 0.3W zener 12V $\pm 2\%$ |
| Z68 | BZX84-B13 | Phi | C | SOT23 | 0.3W zener 13V $\pm 2\%$ |
| Z69 | BZX84-B15 | Phi | C | SOT23 | 0.3W zener 15V $\pm 2\%$ |
| Z70 | BZX84-B16 | Phi | C | SOT23 | 0.3W zener 16V $\pm 2\%$ |
| Z71 | BZX84-B18 | Phi | C | SOT23 | 0.3W zener 18V $\pm 2\%$ |
| Z72 | BZX84-B20 | Phi | C | SOT23 | 0.3W zener 20V $\pm 2\%$ |
| Z73 | BZX84-B22 | Phi | C | SOT23 | 0.3W zener 22V $\pm 2\%$ |
| Z74 | BZX84-B24 | Phi | C | SOT23 | 0.3W zener 24V $\pm 2\%$ |
| Z75 | BZX84-B27 | Phi | C | SOT23 | 0.3W zener 27V $\pm 2\%$ |
| Z76 | BZX84-B30 | Phi | C | SOT23 | 0.3W zener 30V $\pm 2\%$ |
| Z77 | BZX84-B33 | Phi | C | SOT23 | 0.3W zener 33V $\pm 2\%$ |
| Z78 | BZX84-B36 | Phi | C | SOT23 | 0.3W zener 36V $\pm 2\%$ |
| Z79 | BZX84-B39 | Phi | C | SOT23 | 0.3W zener 39V $\pm 2\%$ |
| Z80 | BZX84-B43 | Phi | C | SOT23 | 0.3W zener 43V $\pm 2\%$ |
| Z81 | BZX84-B47 | Phi | C | SOT23 | 0.3W zener 47V $\pm 2\%$ |
| Z82 | BZX84-B51 | Phi | C | SOT23 | 0.3W zener 51V $\pm 2\%$ |
| Z83 | BZX84-B56 | Phi | C | SOT23 | 0.3W zener 56V $\pm 2\%$ |
| Z84 | BZX84-B62 | Phi | C | SOT23 | 0.3W zener 62V $\pm 2\%$ |
| Z85 | BZX84-B68 | Phi | C | SOT23 | 0.3W zener 68V $\pm 2\%$ |
| Z86 | BZX84-B75 | Phi | C | SOT23 | 0.3W zener 75V $\pm 2\%$ |
| ZA | BZX284-C7V5 | Phi | I | SOD110 | 0.4W zener 7.5V $\pm 5\%$ |
| ZA | PDZ6.2B | Phi | I | SOD323 | 6.2V 0.4W zener |

| | | | | | |
|-----|-------------|-----|---|-----------|---------------------------|
| ZB | FMMT4123 | Zet | N | SOT23 | 2N4123 |
| ZB | PDZ6.8B | Phi | I | SOD323 | 6.8V 0.4W zener |
| ZB | BZX284-C8V2 | Phi | I | SOD110 | 0.4W zener 8.2V $\pm 5\%$ |
| ZC | FMMT4124 | Zet | N | SOT23 | 2N4124 |
| ZC | BZX284-C9V1 | Phi | I | SOD110 | 0.4W zener 9.1V $\pm 5\%$ |
| ZC | PDZ7.5B | Phi | I | SOD323 | 7.5V 0.4W zener |
| ZD | FMMT4125 | Zet | N | SOT23 | 2N4125 |
| ZD | MMBT4125 | Mot | N | SOT23 | 2N4125 |
| ZD | BZX284-C10 | Phi | I | SOD110 | 0.4W zener 10V $\pm 5\%$ |
| ZD | PDZ8.2B | Phi | I | SOD323 | 8.2V 0.4W zener |
| ZE | FMMT4126 | Zet | N | SOT23 | 2N4126 |
| ZE | MMBT4123 | Nat | N | SOT23 | 2N4123 |
| ZE | BZX284-C11 | Phi | I | SOD110 | 0.4W zener 11V $\pm 5\%$ |
| ZE | PDZ9.1B | Phi | I | SOD323 | 9.1V 0.4W zener |
| ZF | BZX284-C12 | Phi | I | SOD110 | 0.4W zener 12V $\pm 5\%$ |
| ZF | PDZ10B | Phi | I | SOD323 | 10V 0.4W zener |
| ZG | BZX284-C13 | Phi | I | SOD110 | 0.4W zener 13V $\pm 5\%$ |
| ZG | PDZ11B | Phi | I | SOD323 | 11V 0.4W zener |
| ZH | BZX284-C15 | Phi | I | SOD110 | 0.4W zener 15V $\pm 5\%$ |
| ZH | PDZ12B | Phi | I | SOD323 | 12V 0.4W zener |
| ZHK | SM2Z5V1 | STM | I | 2W SMD | 5.1V 2W zener |
| ZHL | SM2Z5V6 | STM | I | 2W SMD | 5.6V 2W zener |
| ZHW | SM2Z12 | STM | I | 2W SMD | 12V 2W zener |
| ZI | BZX284-C16 | Phi | I | SOD110 | 0.4W zener 16V $\pm 5\%$ |
| ZJ | BZX284-C18 | Phi | I | SOD110 | 0.4W zener 18V $\pm 5\%$ |
| ZJ | PDZ13B | Phi | I | SOD323 | 13V 0.4W zener |
| ZJF | SM2Z18 | STM | I | 2W SMD | 18V 2W zener |
| ZJQ | SM2Z30 | STM | I | 2W SMD | 30V 2W zener |
| ZK | BZX284-C20 | Phi | I | SOD110 | 0.4W zener 20V $\pm 5\%$ |
| ZK | PDZ15B | Phi | I | SOD323 | 15V 0.4W zener |

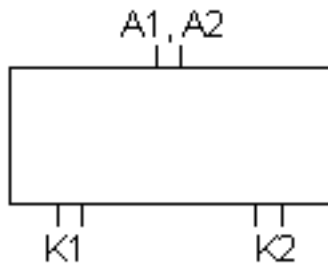
| | | | | | |
|-----|------------|-----|---|-----------|--------------------------|
| ZKR | SM2Z150 | STM | I | 2W SMD | 150V 2W zener |
| ZL | BZX284-C22 | Phi | I | SOD110 | 0.4W zener 22V $\pm 5\%$ |
| ZL | PDZ16B | Phi | I | SOD323 | 16V 0.4W zener |
| ZM | BZX284-C24 | Phi | I | SOD110 | 0.4W zener 24V $\pm 5\%$ |
| ZM | PDZ18B | Phi | I | SOD323 | 18V 0.4W zener |
| ZN | BZX284-C27 | Phi | I | SOD110 | 0.4W zener 27V $\pm 5\%$ |
| ZN | PDZ20B | Phi | I | SOD323 | 20V 0.4W zener |
| ZO | BZX284-C30 | Phi | I | SOD110 | 0.4W zener 30V $\pm 5\%$ |
| ZP | BZX284-C33 | Phi | I | SOD100 | 0.4W zener 33V $\pm 5\%$ |
| ZP | PDZ22B | Phi | I | SOD323 | 22V 0.4W zener |
| ZP | CMDZ16L | CSC | I | SOD323 | zener 250mW Iz 0.5mA 16V |
| ZQ | BZX284-C36 | Phi | I | SOD110 | 0.4W zener 36V $\pm 5\%$ |
| ZQ | PDZ24B | Phi | I | SOD323 | 24V 0.4W zener |
| Z-Q | 2PC4081Q | Phi | N | SOT323 | gp npn hfe 120-270 |
| ZtQ | 2PC4081Q | Phi | N | SOT323 | gp npn hfe 120-270 |
| ZR | MSD1819A | Mot | N | SOT323 | nnp gp 50V |
| ZR | BZX284-C39 | Phi | I | SOD110 | 0.4W zener 39V $\pm 5\%$ |
| ZR | PDZ27B | Phi | I | SOD323 | 27V 0.4W zener |
| Z-R | 2PC4081R | Phi | N | SOT323 | gp npn hfe 180-390 |
| ZtR | 2PC4081R | Phi | N | SOT323 | gp npn hfe 180-390 |
| ZS | BZX284-C43 | Phi | I | SOD110 | 0.4W zener 43V $\pm 5\%$ |
| ZS | PDZ30B | Phi | I | SOD323 | 30V 0.4W zener |
| ZS1 | ZHCS1000 | Zet | C | SOT23 | 30V 1A schottky diode |
| ZS2 | ZHCS2000 | Zet | C | SOT23 | 40V 2A schottky diode |
| ZS5 | ZHCS500 | Zet | C | SOT23 | 40V 0.5A schottky diode |
| ZS7 | ZHCS750 | Zet | C | SOT23 | 30V 0.75A schottky diode |
| Z-S | 2PC4081S | Phi | N | SOT323 | gp npn hfe 270-560 |
| ZtS | 2PC4081S | Phi | N | SOT323 | gp npn hfe 270-560 |
| ZT | BZX284-C47 | Phi | I | SOD110 | 0.4W zener 47V $\pm 5\%$ |
| ZT | PDZ33B | Phi | I | SOD323 | 33V 0.4W zener |
| ZU | BZX284-C51 | Phi | I | SOD110 | 0.4W zener 51V $\pm 5\%$ |
| ZU | PDZ36B | Phi | I | SOD323 | 36V 0.4W zener |
| ZV | BZX284-C56 | Phi | I | SOD110 | 0.4W zener 56V $\pm 5\%$ |

| | | | | | |
|----|------------|-----|---|--------|-------------------------|
| ZW | BZX284-C62 | Phi | I | SOD110 | 0.4W zener 62V \pm 5% |
| ZX | BZX284-C68 | Phi | I | SOD110 | 0.4W zener 68V \pm 5% |
| ZY | BZX284-C75 | Phi | I | SOD110 | 0.4W zener 75V \pm 5% |
| | | | | | |

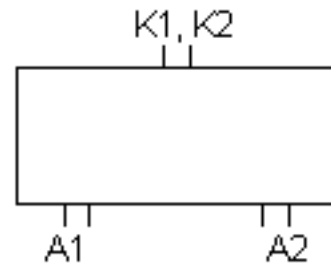
Last Updated on 10/07/2006

By GM4PMK

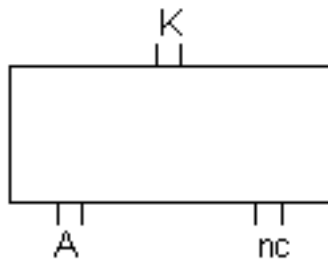
A



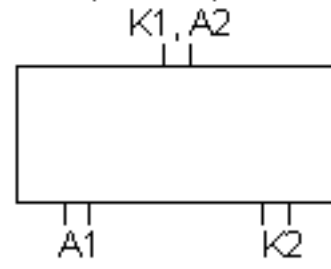
B



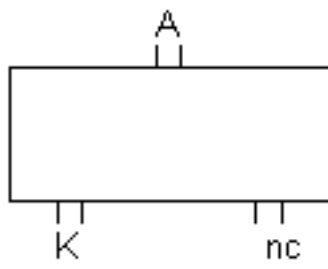
C



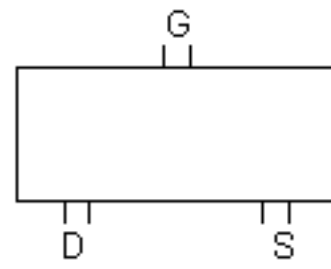
D

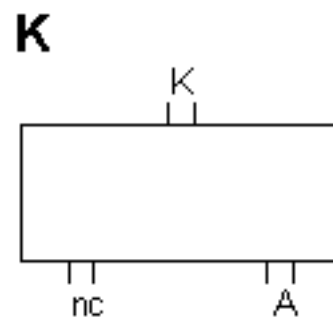
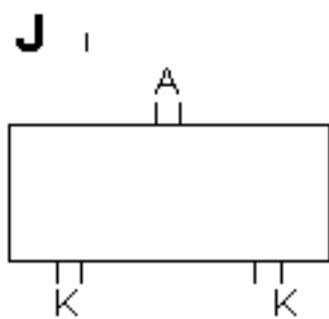
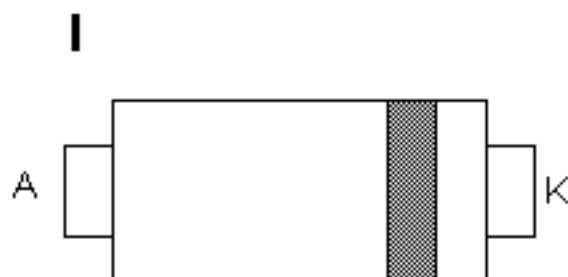
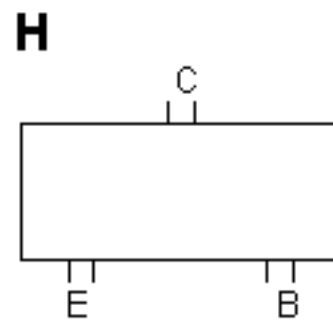
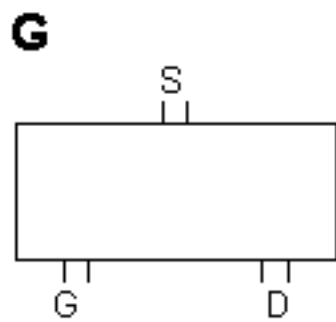


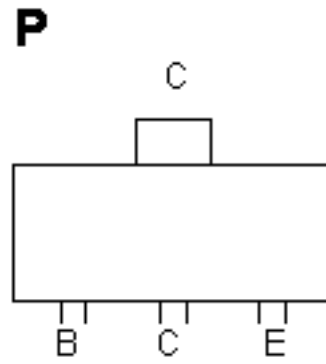
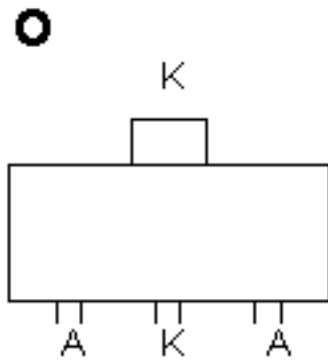
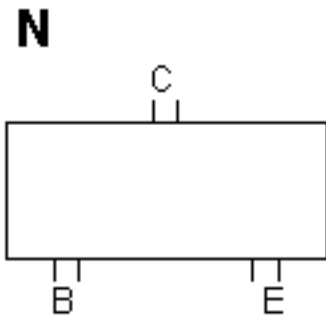
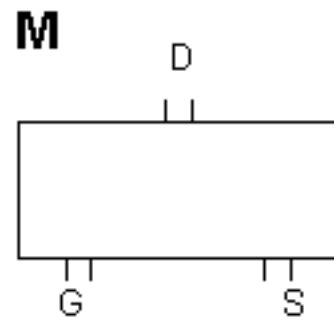
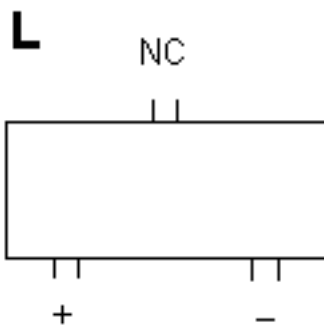
E



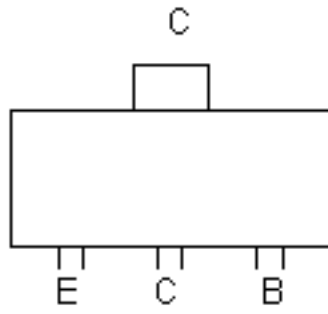
F



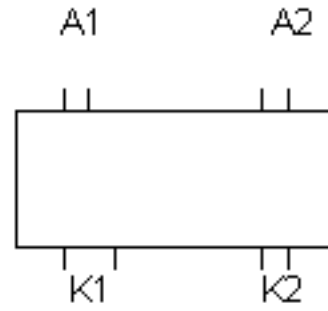




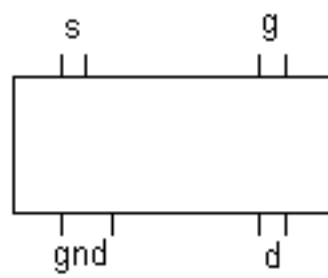
Q



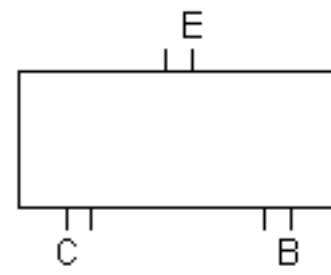
S



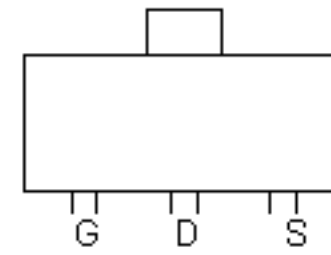
U



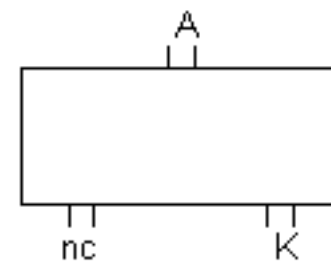
R (SOT-23 Reverse joggle)



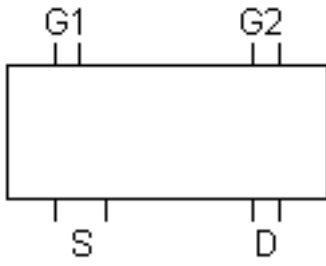
T



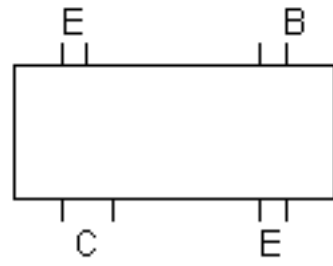
V



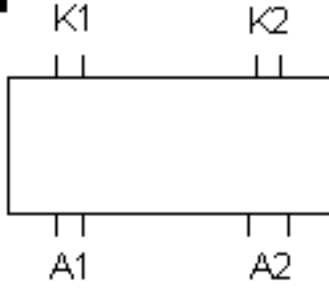
W



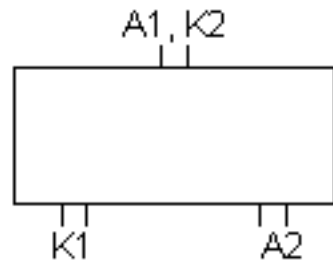
X



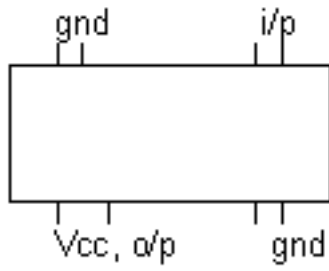
Y



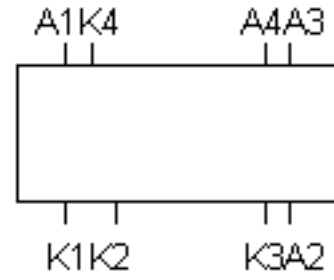
Z



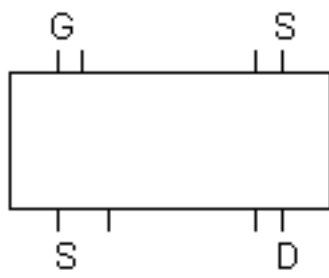
AQ



BQ



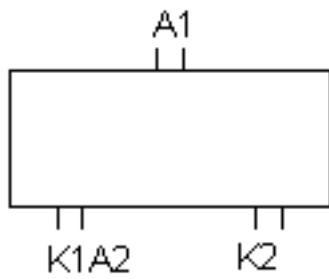
CQ



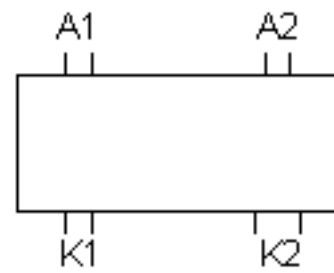
DQ



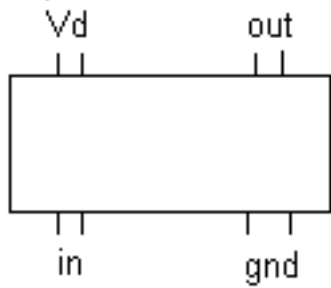
EQ



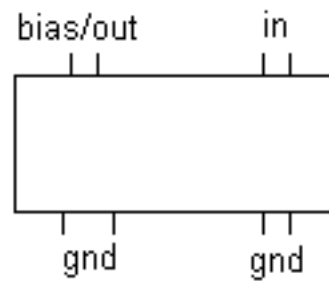
FQ



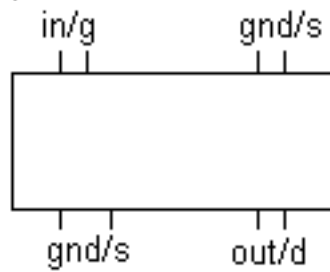
GQ



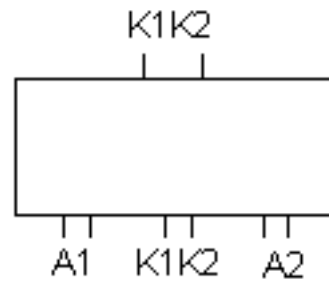
HQ



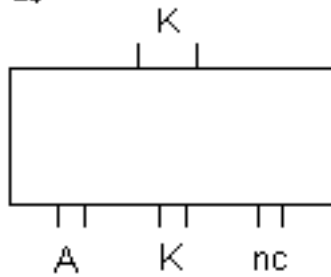
IQ



JQ

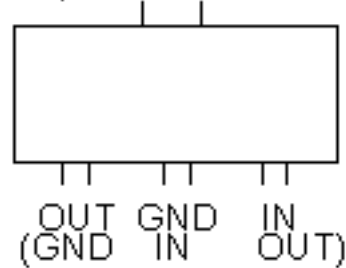


LQ

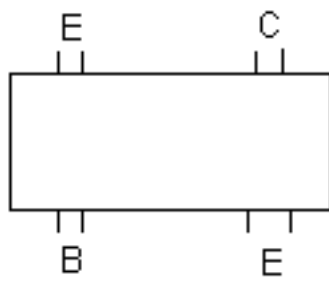


(KQR)

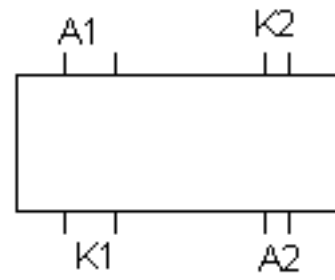
KQ



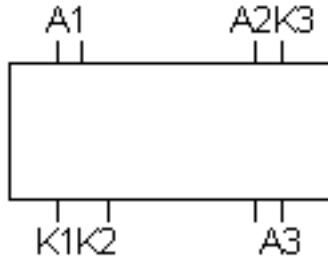
MQ



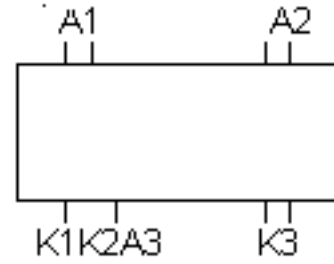
NQ



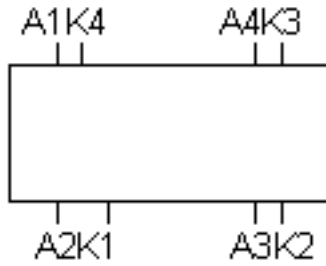
PQ



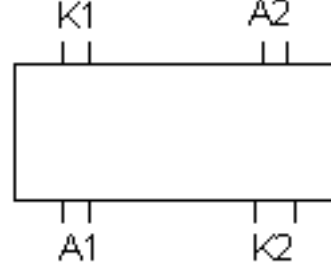
QQ



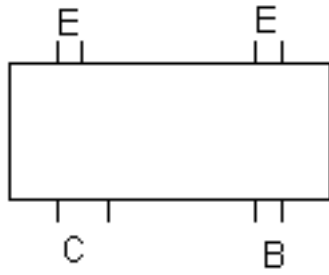
RQ



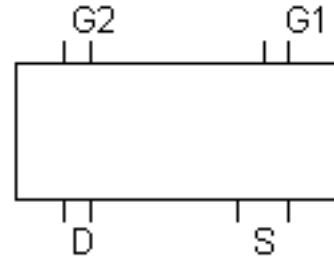
SQ



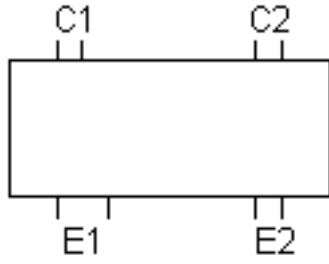
TQ



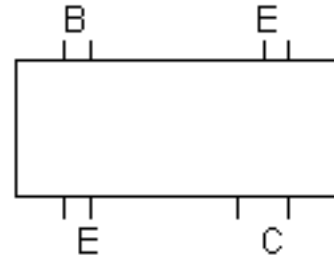
UQ



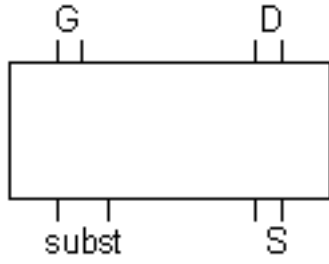
VQ



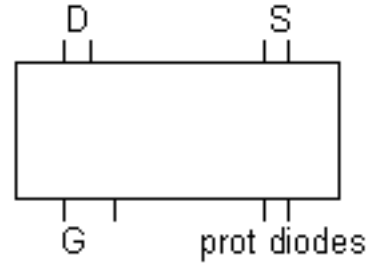
WQ

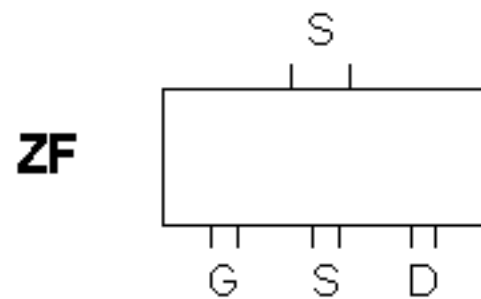
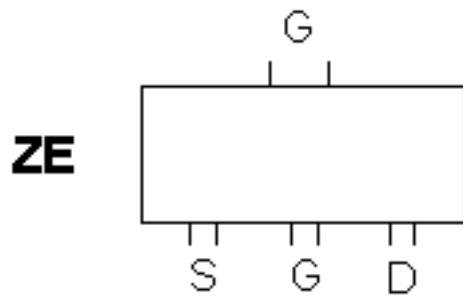
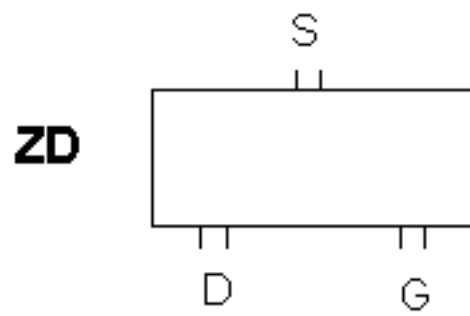
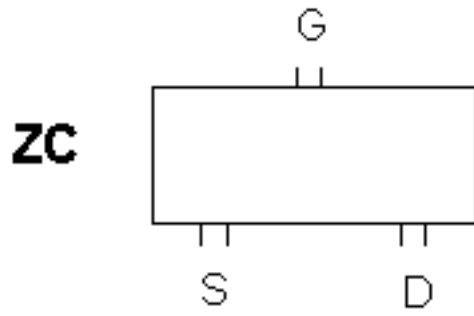
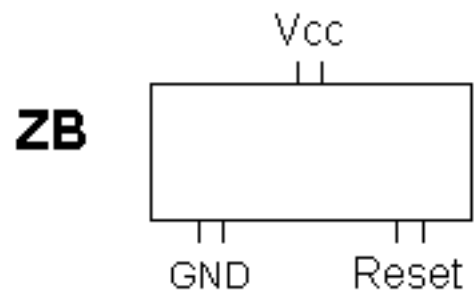
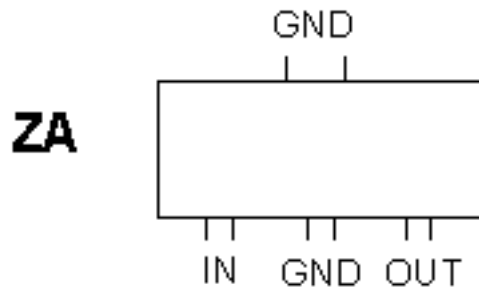


XQ

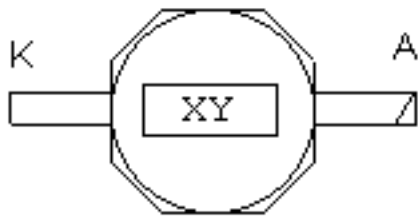


ZQ

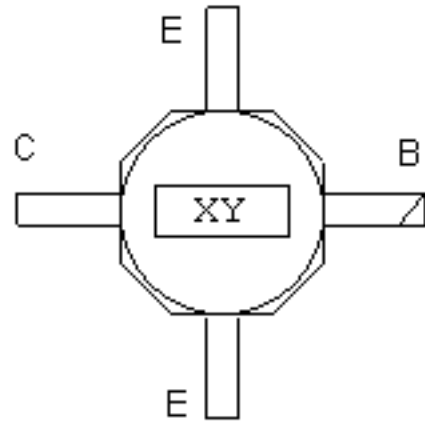




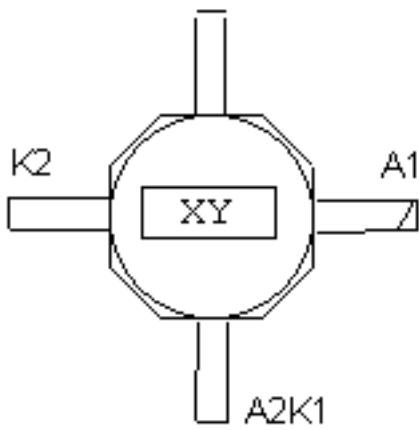
CS



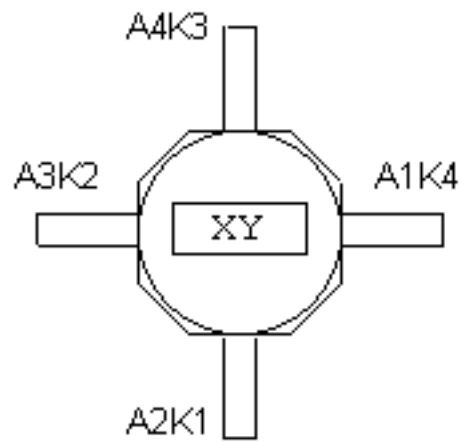
CX

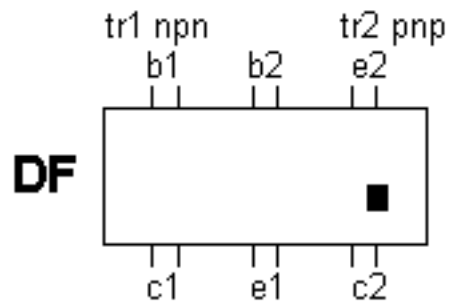
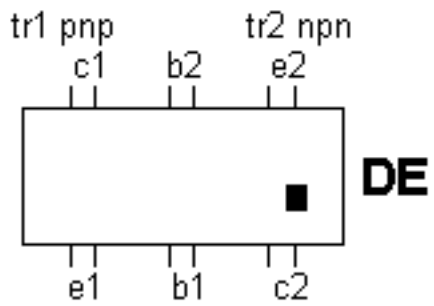
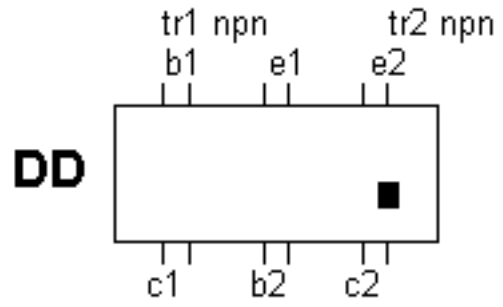
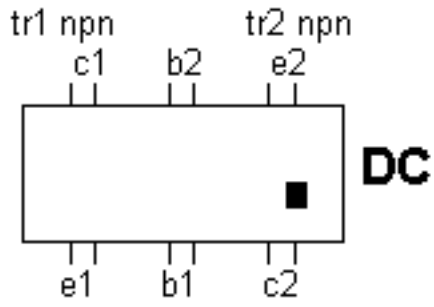
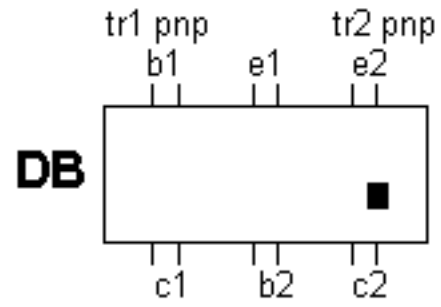
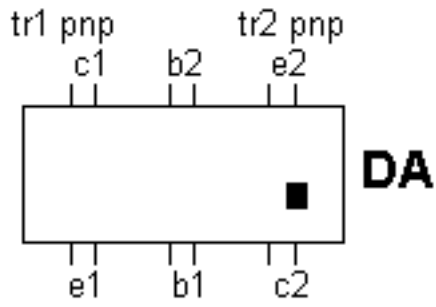


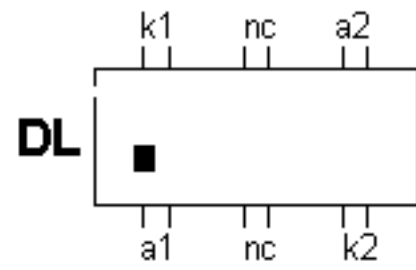
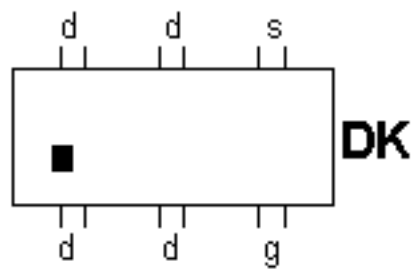
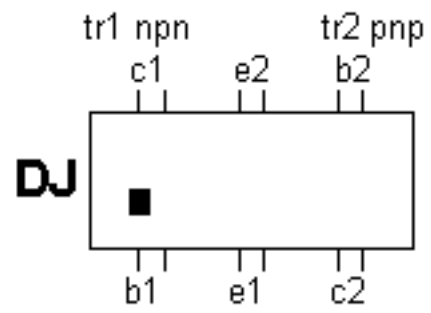
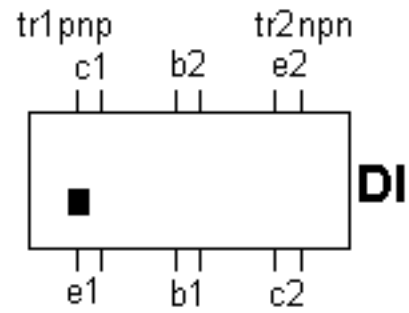
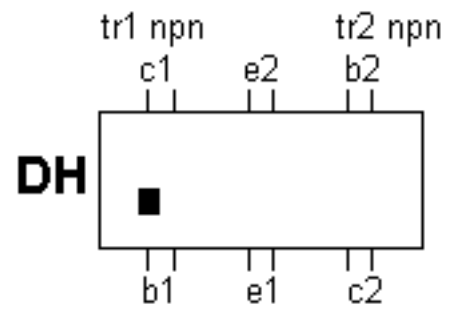
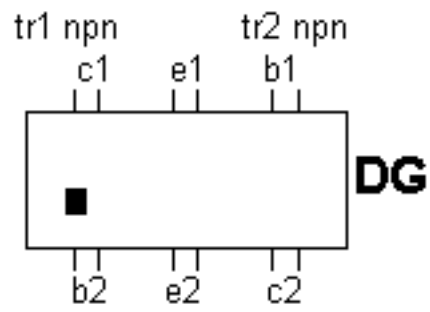
CY

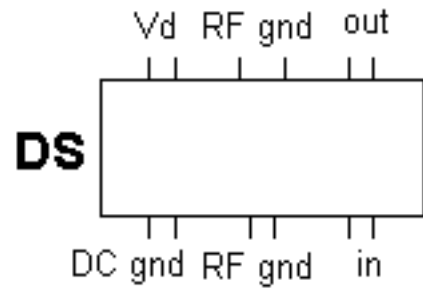
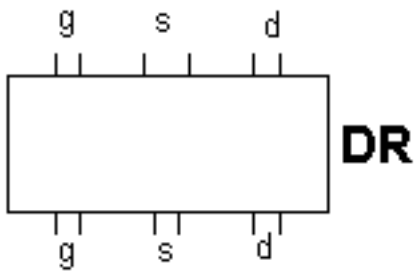
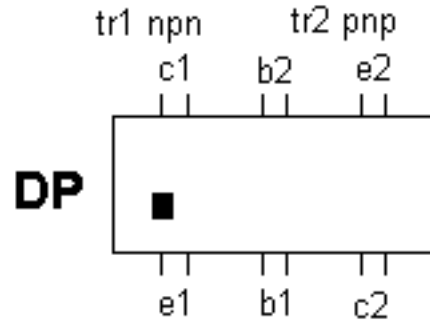
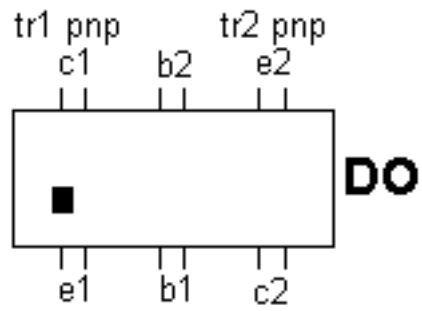
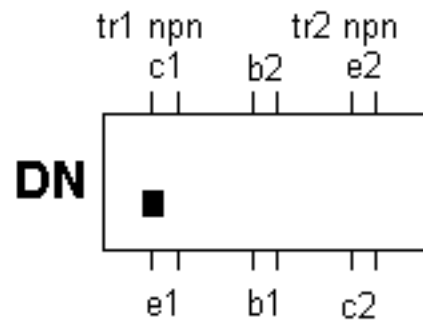
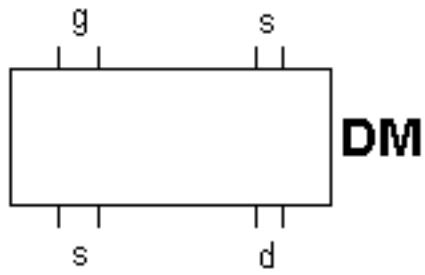


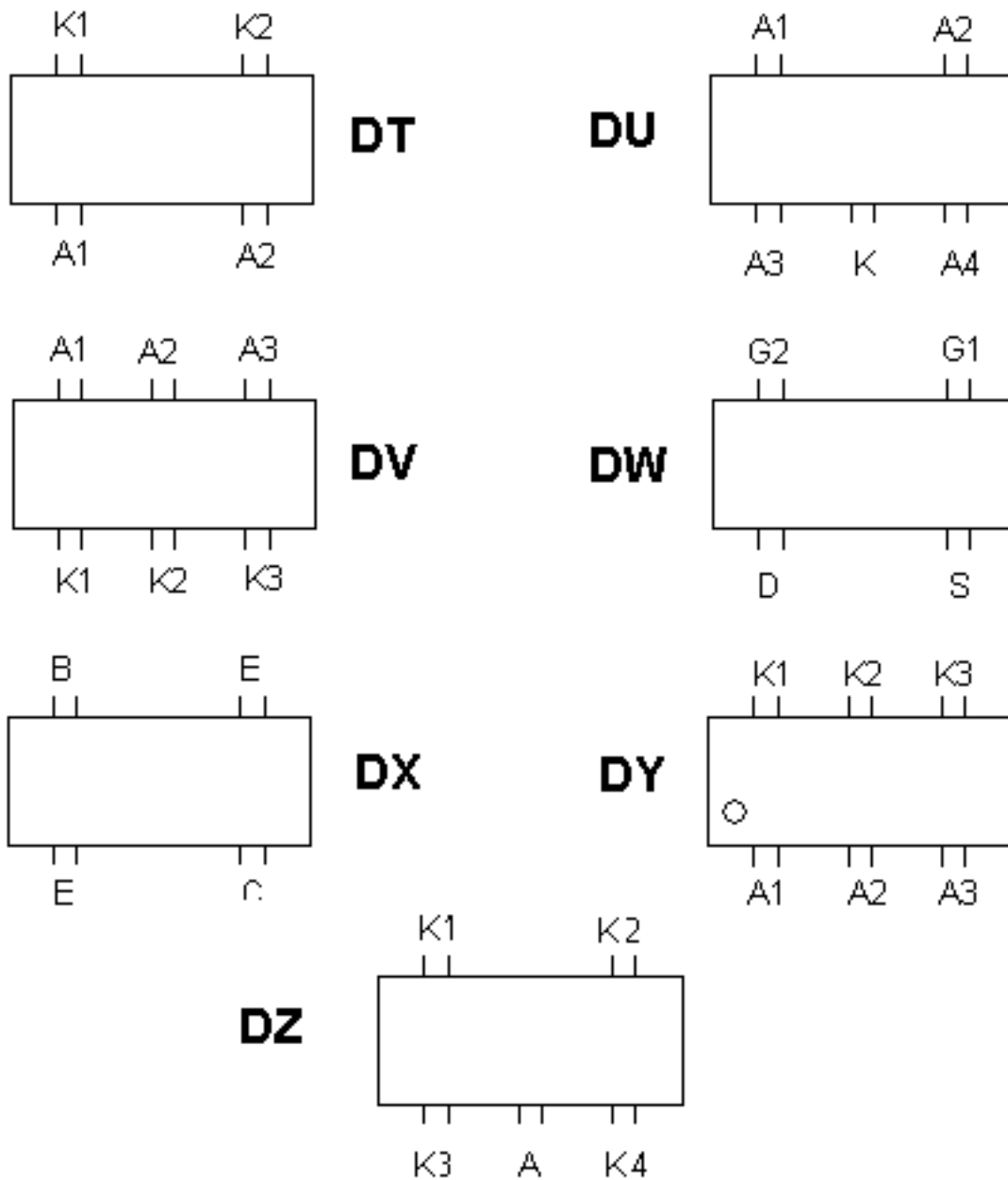
CZ











The Surface Mount Device Code Book

© R P Blackwell GM4PMK

A marsport publication!

Introduction

SMD devices are, by their very nature, too small to carry conventional semiconductor type numbers. Instead, a somewhat arbitrary coding system has grown up, where the device package carries a simple two- or three-character ID code. Identifying the manufacturers' type number of an SMD device from the package code can be a difficult task, involving combing through many different databooks. This HTML book is designed to provide an easy means of device identification. It lists over 3,500 device codes in alphabetical order, together with type numbers, device characteristics or equivalents and pinout information. Sometimes I'm asked to put IC information in the codebook. There is *some* information about ICs - but first and foremost the codebook is intended for discrete devices. Some ICs have been included, usually these are 3/4 pin devices or RF circuits I'm interested in.

Imitations

The home of GM4PMK's SMD codebook is here - and it's only here you'll get the most up-to-date information as it's updated often..... There are a number of other copies of this codebook on the Net, of varying ages. Some are translations with my permission, some are just straight rip-offs. None of them will be as up to date as the original.

How to use the SMD Codebook

To identify a particular SMD device, first identify the package style and note the ID code printed on the device. Now look up the code in the alphanumeric listing which forms the main part of this book by clicking on the first character shown in the left-hand frame. A scrollable page of data will appear in the main frame. Unfortunately, each device code is not necessarily unique. For example a device coded **1A** might be either a BC846A or a FMMT3904. Even the same manufacturer may use the same code for different devices! If there is more than

one entry, use the package style to differentiate between devices with the same ID code. Identifying the package is not always easy - measuring the package dimensions may help; and the codebook has some information about these.

This compilation has been collected from manufacturers' data and other sources of SMD device ID codes, pinout and leaded device equivalent information. The entries under the Manufacturer column are not intended to be comprehensive; rather they are intended to provide help on locating sources of more detailed information if you require it.

Bases/Connections

When you have looked up a device, the Base letter will guide you to a pin-out diagram. Note that some bases have marks to show the correct orientations, on others, one or more 'pins' may be a different size or shape. Some packages have nothing at all - in that case the device is shown such that the ID code is the right way up.

ID Code Variations

Many manufacturers use an extra letter as their own identification code. If the device is from Philips it will sometimes have a lower case 'p' (or sometimes 't') added to the code; Siemens devices usually have a lower case 's'. For example, if the code is **1A**, according to the table there are a number of possibilities:

1A BC846A Phi ITT N BC546A

1A FMMT3904 Zet N 2N3904

1A MMBT3904 Mot N 2N3904

1A IRLML2402 IR F n-ch mosfet 20V 0.9A

Note that p6A (for example) is different from 6Ap. The position of the 'p' is important! In this case, p6A is a jfet, and 6Ap a bipolar transistor.

You'll find both of these in the '6' page though - in other words these lower case prefixes or suffixes are ignored for indexing purposes, but critical to identifying the device.

This has been a problem in the past, however recently manufacturers have been adding lower case letters which clarify the code.

Many recent Motorola devices have a small superscript letter after the device code, such as **SA^C**. This smaller letter is merely a month of manufacture code.

Many devices from Rohm Semiconductors which start with **G** have direct equivalents found in the rest of the number. For example **GD1** is the same as **D1** which is a BCW31.

Some devices have a single coloured letter (usually on extremely small diode packages). Colour, if significant, is shown in small type after the code letter.

A major re-write of the codebook is under way. A new column is being added to each table, giving the package. Obviously this will take quite some time to complete!!

An '**L**' suffix usually indicates a low-profile package, such as an SOT323 or SC70.

Reverse joggle devices do present a few problems. They often have an '**R**' in the type number. A reverse package is one where the lead have been bent up instead of down. So it's a mirror image of a conventional device. Identification is usually possible from the code number, but some manufacturers use the same code. In these cases, it's a case of looking at the device with a magnifying glass. The leads of most normal packages come out closer to the circuit board side of the device; conversely a reverse joggle package will have them coming out closer to the 'top' of the device.

Sometimes a series of devices, derived from the same die, have related type (not code) numbers. Often an '**R**' will indicate a reverse joggle package, and/or a '**W**' indicate a smaller package variant, such as SOT343. Sometimes similarities are also found in the code numbers. For example '**67**' is the code for a BFP67 (SOT143 package) , and '**67R**' is the code for the reverse joggle variant BFP67R (SOT143R), while '**W67**' is the code for a SOT343 package version.

Recently some manufacturers have used a symbol or lower case letter to indicate the country of manufacture. These have been ignored in the alphabetical ordering. For example '**Z-S**' and '**ZtS**' are both 2PC4081Q devices

made by Philips; the first made in Hong Kong and the second in Malaysia; this appears in the codebook classified under ZS.

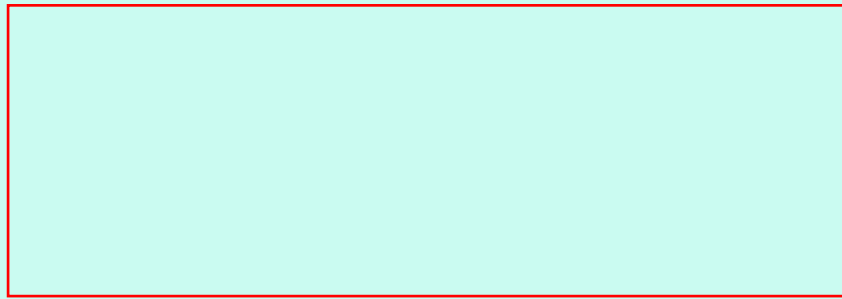
Leaded equivalent device and information

Where possible, the listing gives the part number of a conventional wire-leaded device with equivalent characteristics. If the leaded device is well-known then no more information is given. If the device is less common, some additional information will sometimes be given. Where no exact leaded equivalent exists, a brief device description is given, which may be sufficient to allow substitution with another device.

When describing device characteristics, some terms are implied from the type of device. For example, a voltage specified for a rectifier diode is usually the maximum PIV (peak inverse voltage) of the diode, but for a zener diode the operating (zener voltage) will be given. Normally, where a voltage, current or power is specified, these will be limiting values. For example, a device specified as NPN 20V 0.1A 1W is a NPN transistor with a V_{ce} (max) of 20V, maximum collector current of 100mA and a maximum total power dissipation of 1W. Some of the transistors are types with integrated resistors; in the list, a base resistor means a resistor connected in series with the base. When two resistor values are given, the first is the series base resistor, and the second the resistor between base and emitter.

Digital Transistors (dtr)

These are transistors with built-in resistors, also called 'prebiased transistors'. The Codebook uses 'dtr' as it's shorter... Some have one resistor between base and emitter, others in series with the base lead. Many others have both. To keep things simple, the series resistor is called R1 and the base emitter resistor is called R2. If both are present, then two values are given, R1 first. So 4k7 + 10k means that R1 (the base resistor) is 4k7 and R2 (the resistor between base and emitter) is 10k.



Endpiece

Appendices showing device pinouts, some package dimensions, abbreviations, diode colour codes, resistor and capacitor codes are also available from the main SMD Codebook Screen.

Finally, thanks to all for the kind comments and data - it's nice to know the codebook is useful.

Anyone out there who wants to donate up-to-date data books, they would be a most welcome aid to updating the codebook. My postal mail address is [here](#).

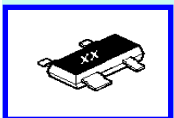
If you have any extra information to add to what's here, I'd be very grateful. You can email to me [here](#).

I'm not able to offer any additional information apart from what is on the pages, so please DON'T ASK.

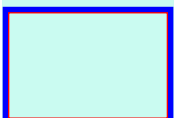
Emails requesting 'can you help me with SMD code XX' will be ignored.

No liability is accepted by the author for errors or omissions.

The SMD Codebook is © R P Blackwell.



[Enter the SMD Codebook](#)



[Hyper\(space\)link back to Marsport](#)

updated 01/06/2006 by GM4PMK

Abbreviations

Device data abbreviations

| | |
|----------------|--|
| amp | amplifier |
| atten | attenuator |
| a | anode |
| b | base |
| bi, bid | bidirectional |
| c | cathode |
| ca | common anode |
| cc | common cathode |
| comp | complement |
| d | drain |
| dg | dual gate |
| dtr | digital transistor (see codebook introduction) |
| enh | enhancement (mode - FETs) |
| fet | field effect transistor |
| fT | transition frequency |
| GaAsfet | Gallium Arsenide field effect transistor |
| g | gate |
| gnd | ground |
| gp | general purpose |
| hfe | small signal current gain |
| i/p | input |
| Id | drain current |
| Ig | gate current |
| Ir | reverse leakage current (diodes) |
| jfet | junction field effect transistor |
| MAG | maximum available gain |
| max | maximum |
| min | minimum |
| mmic | microwave miniature integrated circuit |
| modamp | modular amplifier - an mmic amplifier |
| mosfet | metal oxide insulated gate fet |
| n-ch | n-channel fet (any type) |
| npn | nnp bipolar transistor |
| o/p | output |
| p-ch | p-channel fet (any type) |
| pin | pin diode |
| pkg | package |

| | |
|-----------------------------------|---|
| pn | pn bipolar transistor |
| prot | protection, protected (as in mosfet gate) |
| res | resistor |
| s | source |
| ser | series |
| Si | silicon |
| substr | substrate |
| sw | switch or switching |
| tv | transient voltage supressor |
| uni | unidirectional |
| Vce | collector - emitter voltage (maximum) |
| Vcc | collector supply voltage |
| Manufacturer abbreviations | |
| Agi | Agilent (was HP) |
| CSC | Central Semiconductor Corp |
| Dio | Diodes Inc |
| Fch | Fairchild |
| HP | Hewlett-Packard (Now Agilent) |
| Inf | Infineon (was Siemens) |
| ITT | ITT Semiconductors |
| MC | Mini-Circuits |
| Mot | Motorola (now ON Semiconductors) |
| Nat | National Semiconductor |
| Nec | NEC |
| NJRC | New Japan Radio Co |
| ON | ON Semiconductors (was Motorola) |
| Phi | Philips |
| Roh | Rohm |
| SGS | SGS-Thompson |
| Sie | Siemens (now Infineon) |
| Sil | Siliconix (Vishay-Siliconix) |
| Tem | Temic Semiconductors |
| Tfk | Telefunken (Vishay-Telefunken) |
| Tok | Toko Inc. |
| Tosh | Toshiba |
| Vis | Vishay Semiconductor (was Gen Semi, Tfk, Sil etc) |
| Zet | Zetex |

Last Updated on 01/06/2006

By GM4PMK

HP diode coding

HP diodes appear to follow a regular coding scheme. Although this is not always followed, it may help in identifying diodes and package styles if used with caution. Not all HP diodes follow this scheme, so beware!

The general type number scheme is: **HSMX-123#**

HSM stands for HP Surface Mount, I suppose!

X is either **S** for a schottky diode or **P** for a PIN diode.

is a letter for a SOT323 package and a number for a SOT23 device.

It denotes the internal arrangement - single, common anode pair, quad, etc. The digit of the code marked on the package itself usually corresponds to the package style (**#**) number.

The numbers and letters correspond to the following arrangements:

| Device style | # SOT-23 | # SOT-323 | Printed on package | Codebook base |
|-------------------------|-------------|--------------|-----------------------|------------------|
| Single diode - standard | 0 | B | 0 | C |
| Single diode – reverse | 1 | A | 1 | K |
| Dual series - standard | 2 | C | 2 | D |
| Dual series – reverse | 2 | C | 2 | Z |
| Common anode pair | 3 | | 3 | A |
| Common cathode pair | 4 | | 4 | B |
| Unconnected pair | 5 | | 5 | S |
| Ring Quad | 7 | | 7 | RQ |
| Bridge Quad | 8 | | 8 | BQ |
| Dual Anode | | | A | Y |
| Dual Cathode | | | B | J |

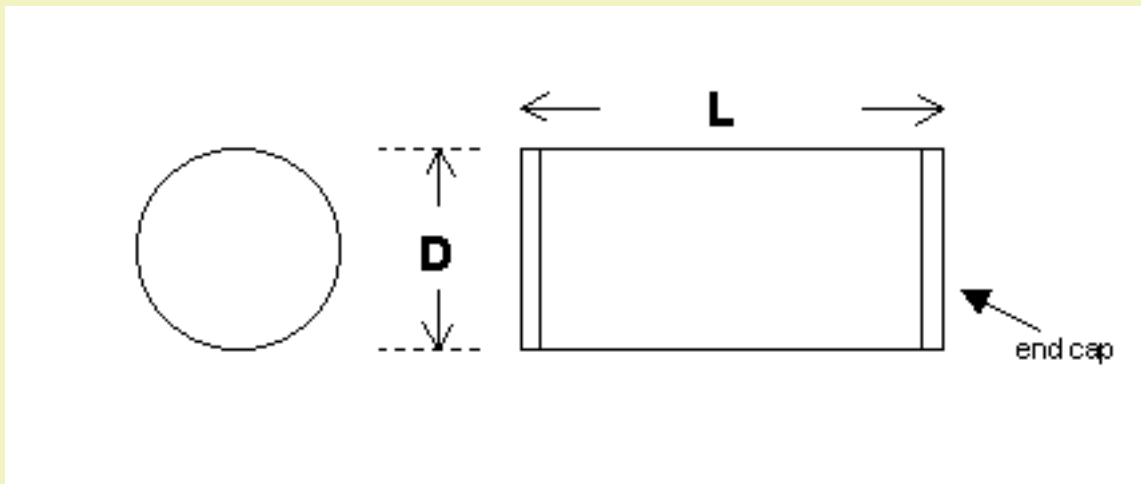
Last Updated on 01/06/06

By GM4PMK

MELF/mini-MELF/LL-34 Package Diodes

The SOD-80 package, also known as mini-MELF, is a small (glass, sometimes plastic) cylinder with metal ends.

MELF package L=4.9mm D=2.5mm
mini-MELF (SOD80C) L=3.5mm D=1.6mm
LL-34 L=3.4mm D= 1.4mm



Code marked devices

Marked 2Y4 to 75Y (E24 series) BZV49 series 1W zener diodes (2.4 - 75V)

Marked C2V4 TO C75 (E24 series) BZV55 series 500mW zener diodes (2.4 - 75V)

The cathode end is indicated by a coloured band.

Coloured band marked devices (MELF/SOD-80)

| CATHODE BAND (S) | Device |
|---------------------|--------|
| | |

| | |
|---------------|---|
| Black | BAS32, BAS45, BAV105 LL4148, 50, 51,53, LL4448 BB241, BB249 |
| Black Brown | LL4148, LL914 |
| Black Orange | LL4150, BB219 |
| Brown Green | LL300 |
| Brown Black | LL4448 |
| Red | BA682 |
| Red Orange | BA683 |
| Red Green | BA423L |
| Red White | LL600 |
| Orange Yellow | LL3595 |
| Yellow | BZV55, BZV80, BZV81 series zeners |
| Green | BAV105, BB240 |
| Green Black | BAV100 |
| Green Brown | BAV101 |
| Green Red | BAV102 |
| Green Orange | BAV103 |
| Grey | BAS81, 82, 83, 85, 86 |
| White | BB219 |
| White Green | BB215 |

Some manufacturers have a generic type coding scheme for MELF and mini-MELF diodes.

That for Vishay/General Semiconductor is shown below:

| CATHODE BAND | Mini MELF Device Type |
|---------------------|------------------------------|
| Black | General purpose |
| Yellow | Switching |

| | |
|-------|----------|
| Green | Schottky |
| Blue | Zener |

| CATHODE BAND | MELF Device Type |
|---------------------|-------------------------|
| Black | Zener |
| Green | Schottky |

Rohm LL-34 package Zener Diodes RLZ Series

Three band colour code Third band is always Green

| Type | 1st Band | 2nd Band | 3rd Band | Type | 1st Band | 2nd Band | 3rd Band |
|---------|----------|----------|----------|--------|----------|----------|----------|
| RLZ3.6B | Black | Purple | Green | RLZ12B | Red | Black | Green |
| RLZ3.9B | Black | Gray | Green | RLZ13B | Red | Brown | Green |
| RLZ4.3B | Brown | White | Green | RLZ15B | Red | Red | Green |
| RLZ4.7B | Brown | Black | Green | RLZ16B | Red | Orange | Green |
| RLZ5.1B | Brown | Brown | Green | RLZ18B | Red | Yellow | Green |
| RLZ5.6B | Brown | Red | Green | RLZ20B | Red | Green | Green |
| RLZ6.2B | Brown | Orange | Green | RLZ22B | Red | Blue | Green |
| RLZ6.8B | Brown | Yellow | Green | RLZ24B | Red | Purple | Green |
| RLZ7.5B | Brown | Green | Green | RLZ27B | Red | Gray | Green |
| RLZ8.2B | Brown | Blue | Green | RLZ30B | Red | White | Green |
| RLZ9.1B | Black | Purple | Green | RLZ33B | Orange | Black | Green |
| RLZ10B | Black | Gray | Green | RLZ36B | Orange | Brown | Green |
| RLZ11B | Black | White | Green | RLZ39B | Orange | Red | Green |

Plastic MELF Package Diodes

Vishay/General Semiconductor plastic MELF and mini-MELF packages may have colour coding as shown in the following tables

A * (asterisk) indicates device is mini-MELF:

1st band **Red**

| 2nd Band | Devices |
|----------|-------------------------------|
| Red | BYM11-100, RGL41A, RGL43B* |
| Orange | BYM11-200, RGL41D, RGL43D |
| Yellow | BYM11-400, RGL41G, RGL43G |
| Green | BYM11-600, RGL41J, RGL43J |
| Blue | BYM11-800, RGL41K |
| Violet | BYM11-1000, RGL41M |
| Gray | BYM11-50, RGL41A, RGL43A |

1st Band **Orange**

| 2nd Band | Devices |
|----------|-----------------------|
| Red | BYM13-30, SGL41-30 |
| Orange | BYM13-40, SGL41-40 |

| | |
|--------|-----------------------|
| Yellow | BYM13-50, SGL41-50 |
| Green | BYM13-60, SGL41-60 |
| Gray | BYM13-20, SGL41-20 |

1st Band **Green**

| 2nd Band | Devices |
|----------|--|
| Brown | BYM12-300, EGL41F, BYM07-300*, EGL34F* |
| Red | BYM12-100, EGL41B, BYM07-100*, EGL34B* |
| Orange | BYM12-200, EGL41D, BYM07-200*, EGL34D* |
| Yellow | BYM12-400, EGL41G, BYM07-400*, EGL34G* |
| Gray | BYM12-50, EGL41A, BYM07-50*, EGL34A* |
| Pink | BYM12-150, EGL41C, BYM07-150*, EGL34C* |

1st Band **White**

| 2nd Band | Devices |
|----------|-----------------------------|
| Brown | GL41Y |
| Red | BYM10-100, GL41B, GL34B* |
| Orange | BYM10-200, GL41D, GL34D* |
| Yellow | BYM10-400, GL41G, GL34G* |
| Green | BYM10-600, GL41J, GL34J* |
| Blue | BYM10-800, GL41K |
| Violet | BYM10-1000, GL41M |

| | |
|-------|----------------------------|
| Gray | BYM10-50, GL41A, GL34A* |
| White | GL41T |

SOD-123 Package Diodes

Colour-coded SOD-123 and SOD-323 diodes. Devices marked with letter/number codes will be found in the main list.

| CATHODE BAND | Devices |
|---------------------|---|
| Red | BA620, BB620, BB729, BB713S, BV430-2 |
| Yellow | BA619, BB619, BB701S, BB729S |
| Green | BA585, BB731 |
| Purple | BB730 |
| Blue | BA582, BA583, BA584, BB731, BA782-3 |
| White | BA512, BA515, BB515, BA811, BB721, BB721S |

Note! Devices with a coloured band may also have an alphanumeric code - which may well be only a date code.

SMD Electrolytic Capacitor Coding

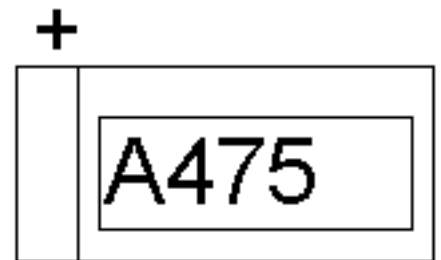
SMD electrolytic capacitors are often marked with their capacitance and working voltage, e. g. **10 6V** is 10 μF 6V . Sometimes a code is used instead, which normally consists of a letter and 3 digits. The letter indicates the working voltage and the 3 digits (2 digits and multiplier) give the capacitance in pF.

| Letter | Voltage |
|--------|---------|
| e | 2.5 |
| G | 4 |
| J | 6.3 |
| A | 10 |
| C | 16 |
| D | 20 |
| E | 25 |
| V | 35 |
| H | 50 |

The band or stripe indicates the positive terminal.

For example, a capacitor marked **A475** is a 4.7m F 10V unit.

$$475 = 47 \times 10^5 \text{ pF} = 4.7 \times 10^6 \text{ pF} = 4.7\text{m F}$$



SMD Ceramic Capacitor Coding

SMD ceramic capacitors are sometimes marked with a code, consisting of one or two letters and a digit. The first letter if present is a manufacturer code (i.e K for Kemet, etc.), the second letter the mantissa and the digit the exponent (multiplier) of the capacitance in pF. For example **S3** is a 4.7nF (4.7×10^3 pf) capacitor from an unknown manufacturer, while **KA2** is a 100 pF (1.0×10^2 pF) capacitor from Kemet. *Thanks to K7ITM for providing this information!*

| Letter | Mantissa | Letter | Mantissa | Letter | Mantissa | Letter | Mantissa |
|--------|----------|--------|----------|--------|----------|--------|----------|
| A | 1.0 | J | 2.2 | S | 4.7 | a | 2.5 |
| B | 1.1 | K | 2.4 | T | 5.1 | b | 3.5 |
| C | 1.2 | L | 2.7 | U | 5.6 | d | 4.0 |
| D | 1.3 | M | 3.0 | V | 6.2 | e | 4.5 |
| E | 1.5 | N | 3.3 | W | 6.8 | f | 5.0 |
| F | 1.6 | P | 3.6 | X | 7.5 | m | 6.0 |
| G | 1.8 | Q | 3.9 | Y | 8.2 | n | 7.0 |
| H | 2.0 | R | 4.3 | Z | 9.1 | t | 8.0 |
| | | | | | | y | 9.0 |

SMD Resistor Coding

SMD Resistors are usually coded with a numerical equivalent of the familiar three band colour code. In the same way as wire ended components, precision resistors (1% or better) may be marked with a four digit code. The first two (or 3) digits are the first two (or 3) digits of the resistance in ohms, and the third(or 4th) is the number of zeros to follow - the 'multiplier'.

Resistances of less than 10 ohms have a 'R' to indicate the position of the decimal point.

Some examples will make this clearer:

| Three Digit Examples | Four Digit Examples |
|---|--|
| 330 is 33 ohms - <i>not 330 ohms</i> | 1000 is 100 ohms - <i>not 1000 ohms</i> |
| 221 is 220 ohms | 4992 is 49 900 ohms, or 49.9 kohm |
| 683 is 68 000 ohms, or 68 kohm | 16234 is 162 000 ohms, or 162 kohm |
| 105 is 1 000 000 ohms, or 1 Mohm | 0R56 or R56 is 0.56 ohms |
| 8R2 is 8.2 ohms | |

But just to make life more interesting, a new coding system has appeared on **1% types**. This is known as the EIA-96 marking method. It consists of a three-character code. The first two digits signify the 3 significant digits of the resistor value, using the lookup table below. The third character - a letter - signifies the multiplier.

| code | value | code | value | code | value | code | value | code | value | code | value |
|------|-------|------|-------|------|-------|------|-------|------|-------|------|-------|
| 01 | 100 | 17 | 147 | 33 | 215 | 49 | 316 | 65 | 464 | 81 | 681 |
| 02 | 102 | 18 | 150 | 34 | 221 | 50 | 324 | 66 | 475 | 82 | 698 |
| 03 | 105 | 19 | 154 | 35 | 226 | 51 | 332 | 67 | 487 | 83 | 715 |
| 04 | 107 | 20 | 158 | 36 | 232 | 52 | 340 | 68 | 499 | 84 | 732 |
| 05 | 110 | 21 | 162 | 37 | 237 | 53 | 348 | 69 | 511 | 85 | 750 |
| 06 | 113 | 22 | 165 | 38 | 243 | 54 | 357 | 70 | 523 | 86 | 768 |
| 07 | 115 | 23 | 169 | 39 | 249 | 55 | 365 | 71 | 536 | 87 | 787 |
| 08 | 118 | 24 | 174 | 40 | 255 | 56 | 374 | 72 | 549 | 88 | 806 |
| 09 | 121 | 25 | 178 | 41 | 261 | 57 | 383 | 73 | 562 | 89 | 825 |
| 10 | 124 | 26 | 182 | 42 | 267 | 58 | 392 | 74 | 576 | 90 | 845 |
| 11 | 127 | 27 | 187 | 43 | 274 | 59 | 402 | 75 | 590 | 91 | 866 |
| 12 | 130 | 28 | 191 | 44 | 280 | 60 | 412 | 76 | 604 | 92 | 887 |
| 13 | 133 | 29 | 196 | 45 | 287 | 61 | 422 | 77 | 619 | 93 | 909 |
| 14 | 137 | 30 | 200 | 46 | 294 | 62 | 432 | 78 | 634 | 94 | 931 |

| | | | | | | | | | | | |
|----|-----|----|-----|----|-----|----|-----|----|-----|----|-----|
| 15 | 140 | 31 | 205 | 47 | 301 | 63 | 442 | 79 | 649 | 95 | 953 |
| 16 | 143 | 32 | 210 | 48 | 309 | 64 | 453 | 80 | 665 | 96 | 976 |

The **multiplier** letters are as follows:

| letter | mult | letter | mult |
|--------|--------|--------|------|
| F | 100000 | B | 10 |
| E | 10000 | A | 1 |
| D | 1000 | X or S | 0.1 |
| C | 100 | Y or R | 0.01 |

22A is a 165 ohm resistor, **68C** is a 49900 ohm (49.9 k) and **43E** a 2740000 (2.74 M). This marking scheme applies to 1% resistors only.

A similar scheme can be used for **2, 5 and 10%** tolerance types. The multiplier letters are identical to the 1% ones, but occur **before** the number code. Just to make it even more fun, a **different** coding scheme is used. Here it is:

| 2% | | | | 5% | | | | 10% | |
|------|-------|------|-------|------|-------|------|-------|------|-------|
| code | value | code | value | code | value | code | value | code | value |
| 01 | 100 | 13 | 330 | 25 | 100 | 37 | 330 | 49 | 100 |
| 02 | 110 | 14 | 360 | 26 | 110 | 38 | 360 | 50 | 120 |
| 03 | 120 | 15 | 390 | 27 | 120 | 39 | 390 | 51 | 150 |
| 04 | 130 | 16 | 430 | 28 | 130 | 40 | 430 | 52 | 180 |
| 05 | 150 | 17 | 470 | 29 | 150 | 41 | 470 | 53 | 220 |
| 06 | 160 | 18 | 510 | 30 | 160 | 42 | 510 | 54 | 270 |
| 07 | 180 | 19 | 560 | 31 | 180 | 43 | 560 | 55 | 330 |
| 08 | 200 | 20 | 620 | 32 | 200 | 44 | 620 | 56 | 390 |
| 09 | 220 | 21 | 680 | 33 | 220 | 45 | 680 | 57 | 470 |
| 10 | 240 | 22 | 750 | 34 | 240 | 46 | 750 | 58 | 560 |
| 11 | 270 | 23 | 820 | 35 | 270 | 47 | 820 | 59 | 680 |
| 12 | 300 | 24 | 910 | 36 | 300 | 48 | 910 | 60 | 820 |

So with this scheme, **A55** is a 330 ohm, 10% tolerance resistor, **C31** a 5%, 18000 ohm (18 kilohm) unit, and **D18** 510000 ohms (510 kohm) 2% tolerance.

Personally, I'd check with an ohm-meter!

*last updated 10/07/06
by GM4PMK*

PACKAGE EQUIVALENTS

Here is a table of more-or-less equivalents for many SMD packages.

| Package | Equivalents |
|----------------|--------------------|
| SOT89 | SC62 |
| SOT223 | SC73 |
| SOT323 | SC70,UMT3 |
| SOT346 | SC59,SMT3 |
| SOT363 | SC88 |
| SOT416 | SC75, SC90, EMT3 |
| SOT457 | SC74 |
| SOD323 | SC76 |
| SOD523 | SC79 |

Date Coding

There are a variety of date coding schemes in use. Here are some of them. Often, it's possible to confuse which is the device code and which is the date code. Date codes are often in a different font, of a different size, or placed in a different orientation. Sometimes they are incorporated into the code number - where possible this will be indicated on the code entry by 'xx' and a note in the data entry. Some devices are only marked with the month of production.

Method 1

2 characters from tables below in form YM for year, month

| | | | | | | | |
|-------------|------|------|------|------|------|------|------|
| Year | 2002 | 2003 | 2004 | 2005 | 2006 | 2007 | 2008 |
| Code | N | P | R | S | T | U | V |

| | | | | | | | | | | | | |
|--------------|-----|-----|-----|-----|-----|-----|-----|-----|-----|-----|-----|-----|
| Month | Jan | Feb | Mar | Apr | May | Jun | Jul | Aug | Sep | Oct | Nov | Dec |
| Code | 1 | 2 | 3 | 4 | 5 | 6 | 7 | 8 | 9 | O | N | D |

Another alternative year table..... likely to apply to General Semiconductor products up to 2000

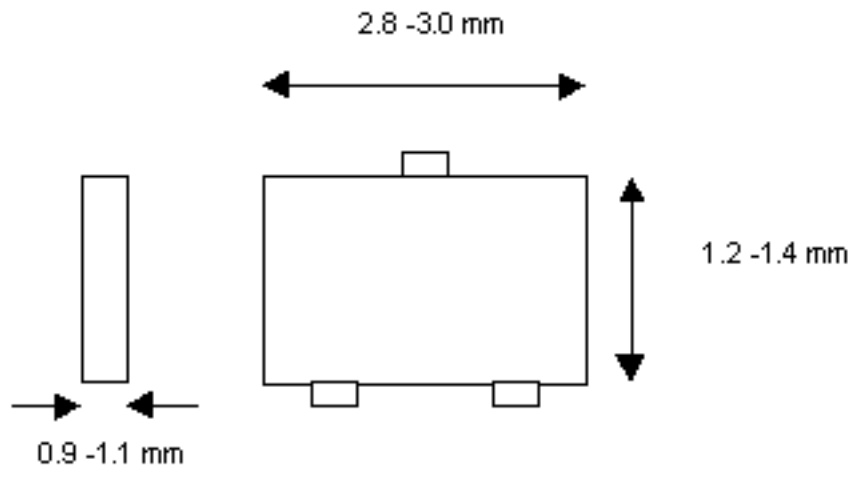
| | | | | | | | |
|-------------|------|------|------|------|------|------|------|
| Year | 1994 | 1995 | 1996 | 1997 | 1998 | 1999 | 2000 |
| Code | E | F | H | J | K | L | M |

Method 2

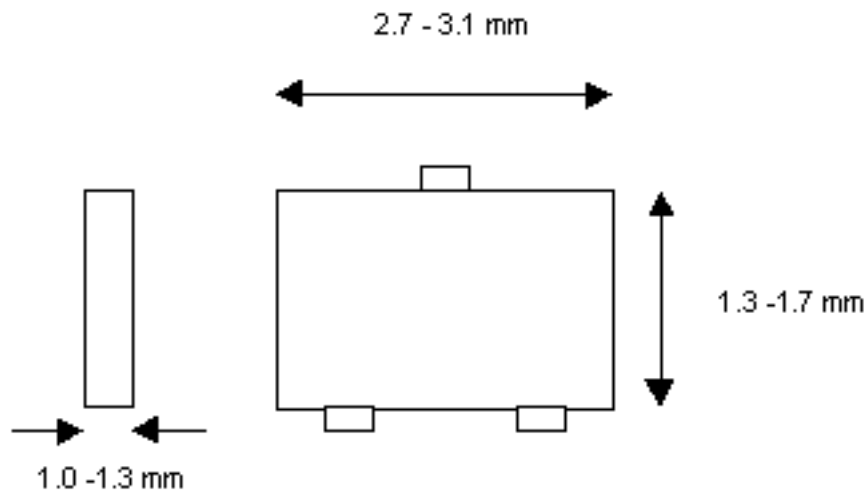
2 characters from tables below in form YM for year, month

| | | | | | | | | | |
|-------------|------|------|------|------|------|------|------|------|------|
| Year | 1997 | 1998 | 1999 | 2000 | 2001 | 2002 | 2003 | 2004 | 2005 |
| Code | 7 | 8 | 9 | 0 | 1 | 2 | 3 | 4 | 5 |

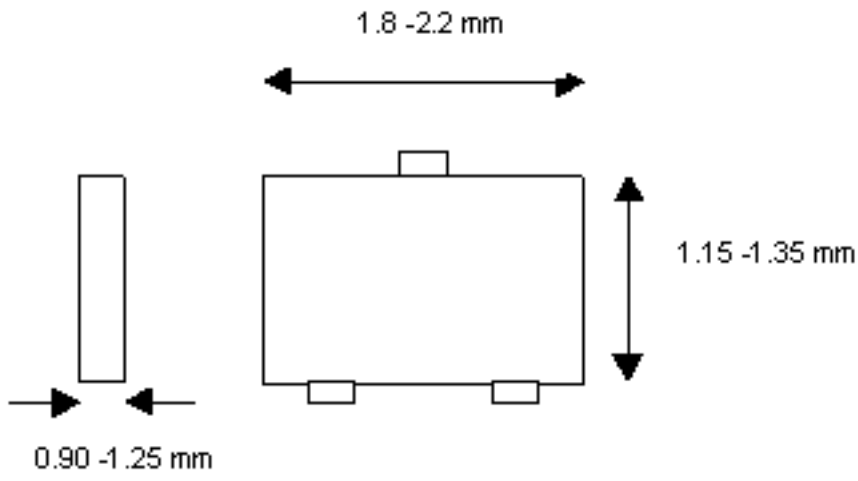
| | | | | | | | | | | | | |
|--------------|-----|-----|-----|-----|-----|-----|-----|-----|-----|-----|-----|-----|
| Month | Jan | Feb | Mar | Apr | May | Jun | Jul | Aug | Sep | Oct | Nov | Dec |
| Code | 1 | 2 | 3 | 4 | 5 | 6 | 7 | 8 | 9 | A | B | C |



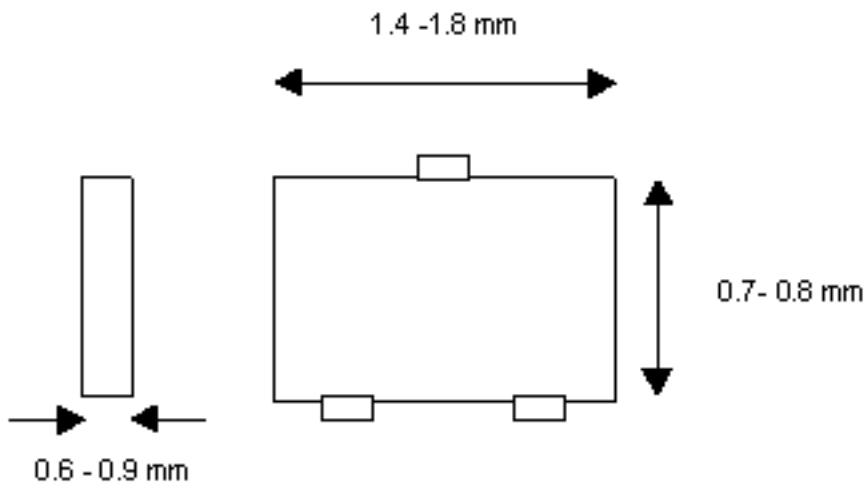
SOT- 23



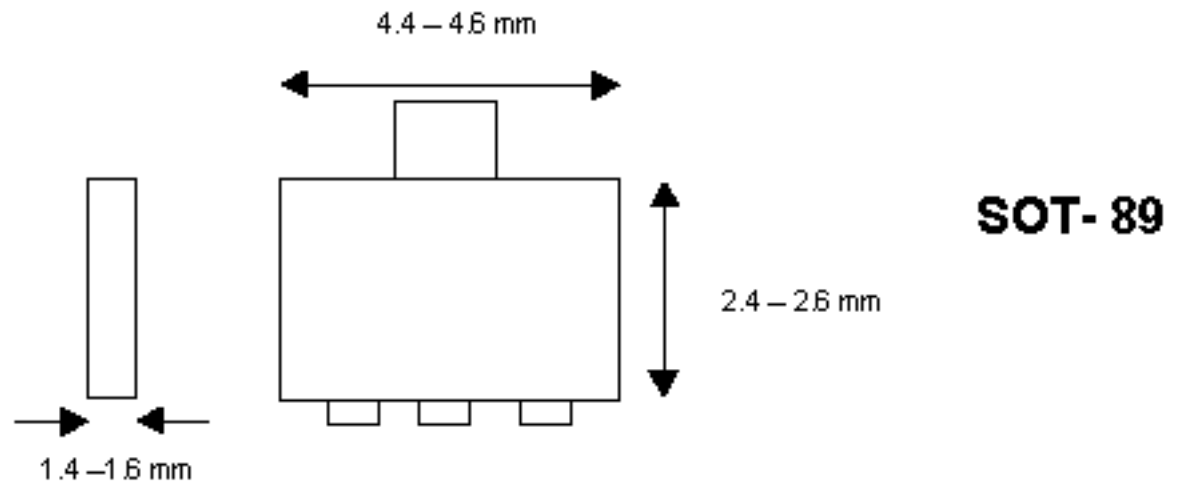
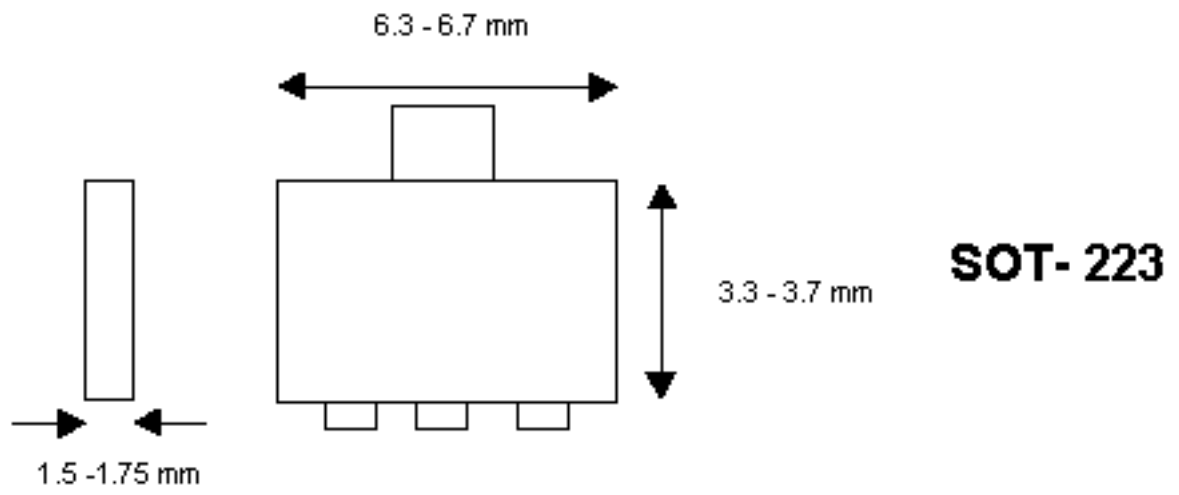
SC- 59

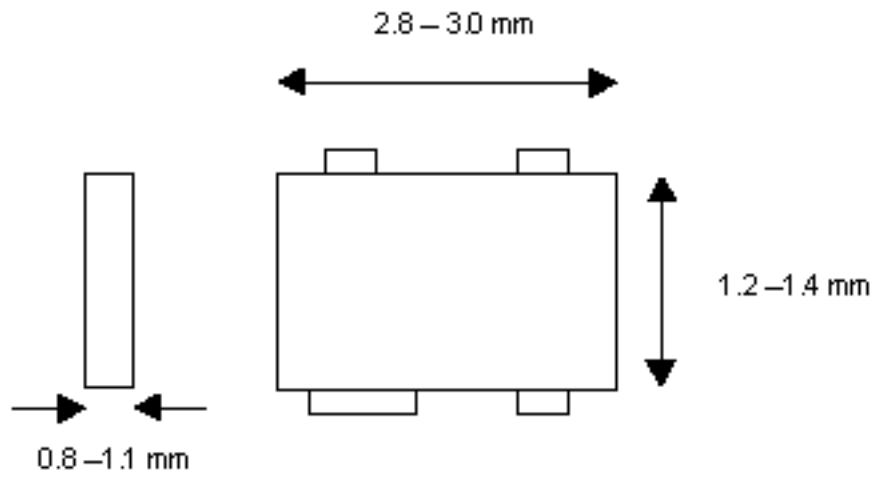


SOT- 323/SC-70

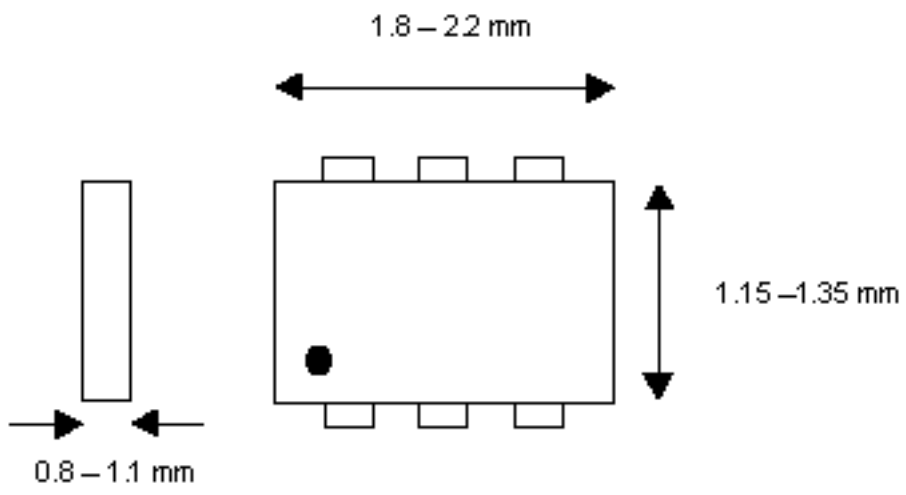


SOT- 416/SC- 90





SOT-143



SOT-363

DIODE PACKAGES

Dimensions of 2-lead diode packages, as length x width x thickness
or length x diameter (mm)

| Package | Size | Manufacturer |
|---------|------------------|--------------|
| EMD2 | 1.2 x 0.8 x 0.6 | Rohm |
| PMDT | 3.8 x 2.4 x 0.95 | Rohm |
| PMDS | 4.5 x 2.6 x 2.0 | Rohm |
| PMDU | 2.6 x 1.6 x 0.8 | Rohm |
| TUMD2 | 1.9 x 1.3 x 0.6 | Rohm |
| UMD2 | 1.7 x 1.25 x 0.7 | Rohm |
| VMD2 | 1.0 x 0.6 x 0.5 | Rohm |
| VMN2 | 0.9 x 0.6 x 0.4 | Rohm |
| LLDS | 3.4 x 1.5Ø | Rohm |
| MELF | 4.9 x 2.5Ø | |
| SOD80 | 3.5 x 1.6Ø | |
| SOD110 | 2.1 x 1.4 x 1.6 | |
| SOD323 | 2.7 x 1.8 x 1.2 | |
| SOD523 | 1.1 x 0.7 x 0.8 | |
| SOD882 | 1.0 x 0.6 x 0.5 | |
| LL34 | 3.4x 1.5Ø | JEDEC |